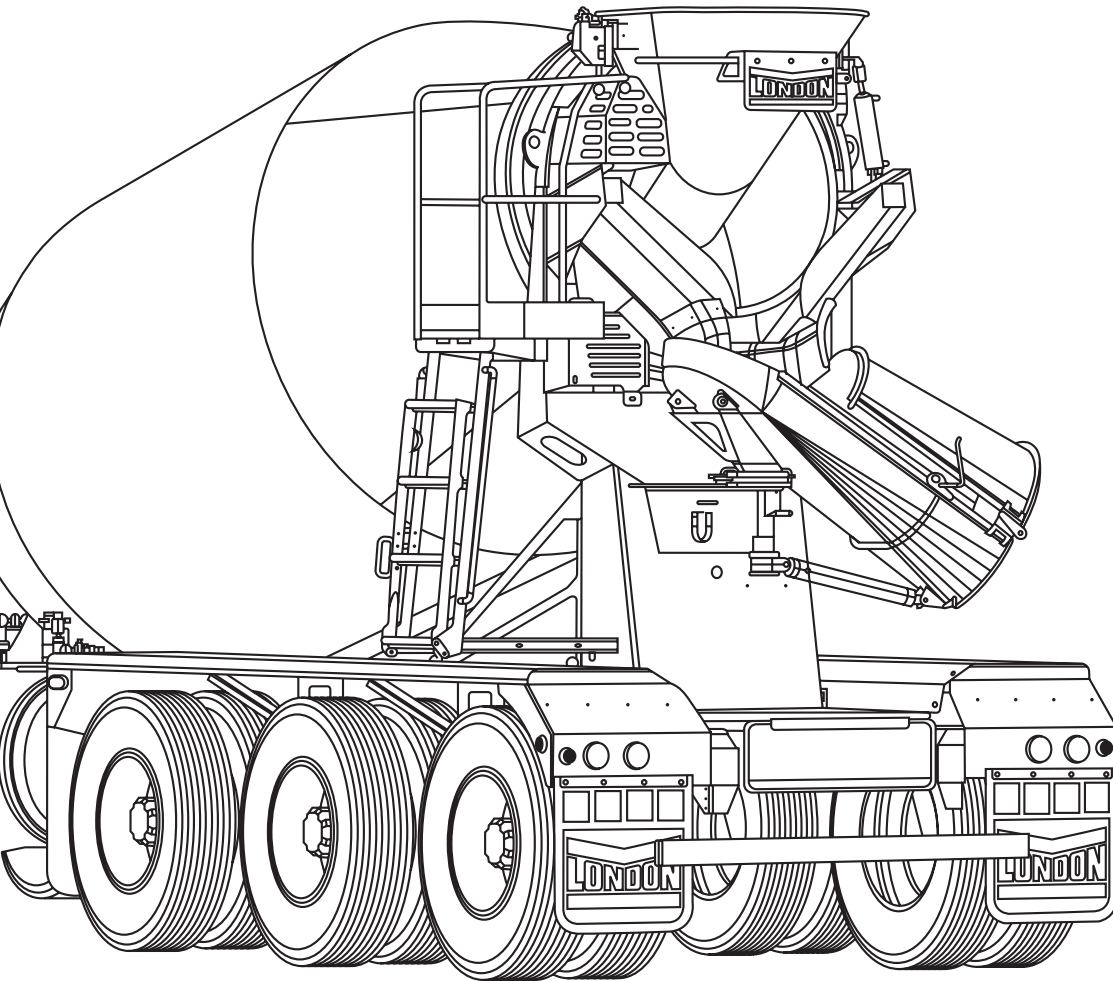




PARTS BOOK

For London Machinery, Inc Mixers



Reach out to our Expert Parts Team
(519) 963-2500 | parts@lmi.ca | www.lmi.ca



Disclaimer:

All information, illustrations, and specifications in this manual are based on the latest information available at the time of publishing. The illustrations used in this manual are intended as representative reference views only. Moreover, because of our continuous product improvement policy, we may modify information, illustrations, and/or specifications to explain and/or exemplify a product, service, or maintenance improvement. We reserve the right to make any change at any time without notice.

No part of this publication may be reproduced or used in any form by any means - graphic, electronic, or mechanical, including photocopying, recording, taping, or information storage and retrieval systems without the written permission of London Machinery, Inc



TABLE OF CONTENT

MIXER BODY GROUP

CHUTE ASSEMBLIES

London Act. 4' Chute.....	5
Standard Main Chute.....	7
Foldover Chute, STD, STD.....	9
Foldover Chute, STD, MTM.....	11
Extra Long Main Chute.....	13
Chute Positioner Assembly.....	15
Chute Swivel & Lock Assembly.....	17

CHUTE BRACKETS

Horizontal Chute Mount - STD.....	19
Vertical Chute Mounting, ZF.....	21
Vertical Chute Mounting, ZF.....	23
Main Chute Hardware.....	25
Chute Valve Installation.....	27
Folding Platform Install.....	29
INSTR Chute Stop, LMI.....	31
Chute Cylinder INSTL.....	33
Horizontal Chute MTG. INSTL.....	35
Chute Main Liner - Trailer.....	37

DRUM ASSEMBLIES

Mixer Drum Assembly.....	39
Paver Drum Assembly.....	43
Drum Roller INSTL.....	45
Drum Roll Guard INSTL.....	49

FENDER ASSEMBLIES

INSTR, Mudflap, 24X24.....	51
INSTR, Mudflap, 24X30.....	53
Fender Steel.....	55
Aluminum Fender.....	57
Tridem Fender Installaion.....	59
Fender Installaion.....	63
INSTR Mudflap Hanger.....	67
Rear Fender Platform Install.....	69
T - Ride Center Fender Support.....	71
Center Fend. ADP. List.....	73
T - Ride Center Adapter Bracket.....	75

FRONT PEDESTAL ASSEMBLY

Front Pedestal Assembly - (ZF).....	77
-------------------------------------	----

HOPPER COLLECTORS AND BIBS

Discharge Hopper Rubber STD.....	79
Discharge Hopper Rubber WRAP.....	81
INSTL, Hopper Guard Paver.....	83
INST, DISC Hopper Enclosure.....	85

TABLE OF CONTENT

HOPPERS - STANDARD

Discharge Hopper Assembly.....	87
Tilt Loading Hopper.....	89
INST, Loading Hopper Paver.....	91
INST, Fixed Loading Hopper.....	93
INST, RRB, DISC HRR Hardware.....	95

LADDER ASSEMBLIES

Rear Ladder & Platform.....	99
Ladder Platform, Wide.....	101
Ladder Platform Weldment.....	103
Extension Ladder Weld't 4 Rung.....	105
Extension Ladder Weld't 5 Rung.....	107
TLR Ladder and Platform Install.....	109
Action Ladder & Platform ASSY.....	111
Action Ladder & Platform ASSY.....	113

REAR PEDESTALS

Rear Ped, Tilt, Weld't.....	115
Upper Brake LTS, Rear Ped, INSTL.....	117
Rear Ped. Tilt Paver Weld't.....	119
INSTL, 4 Strobe, Rear Ped.....	121

WATER TANKS

24" Dia. Water Tanks - All.....	123
30" Dia. Water Tanks - 150 USG & Less.....	125
30" Dia. Water Tanks - Over 150 USG.....	127
24" Water Tank Assembly Steel SM.....	129
24" Water Tank Assembly Steel CM.....	131
30" Water Tank Assembly Steel SM.....	133
30" Water Tank Assembly Steel CM.....	137
36" Water Tank Assembly Steel.....	141
Water Tank Cover INSTL.....	143

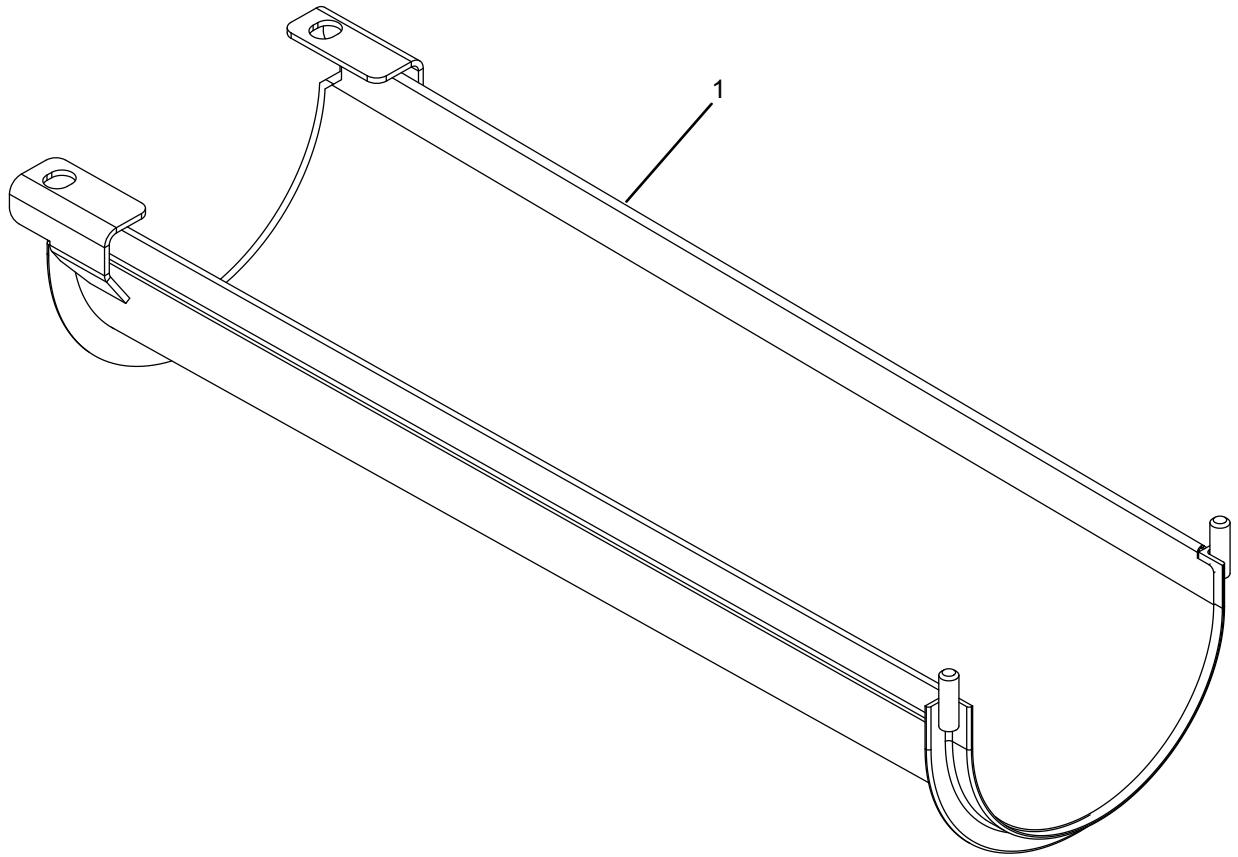
WATER TANK SITE GAUGE ASSEMBLY

24" Scale Bracket Assembly SM.....	145
Scale, Water, 760LTR, 30.00, LMI.....	147
Water Tank 30" Dia. Dual Scale.....	149
Water Tank 30" Dia. Dual Scale.....	151
30" Side Mount Water Tank Scale Bracket.....	153
Overhead Water Tank Installation.....	155
30" Steel Water Tank Weld't.....	157
Water Tank,30, AI, HYD Water Pump.....	159
30 C.M. Water Tank Scale Bracket.....	161
Water Tank Scale 480 Litre 30.....	163
24" Steel Water Tank Weldment.....	165
Scale, Water, Dual, 470LTR 125USG, 3.....	167



TABLE OF CONTENT

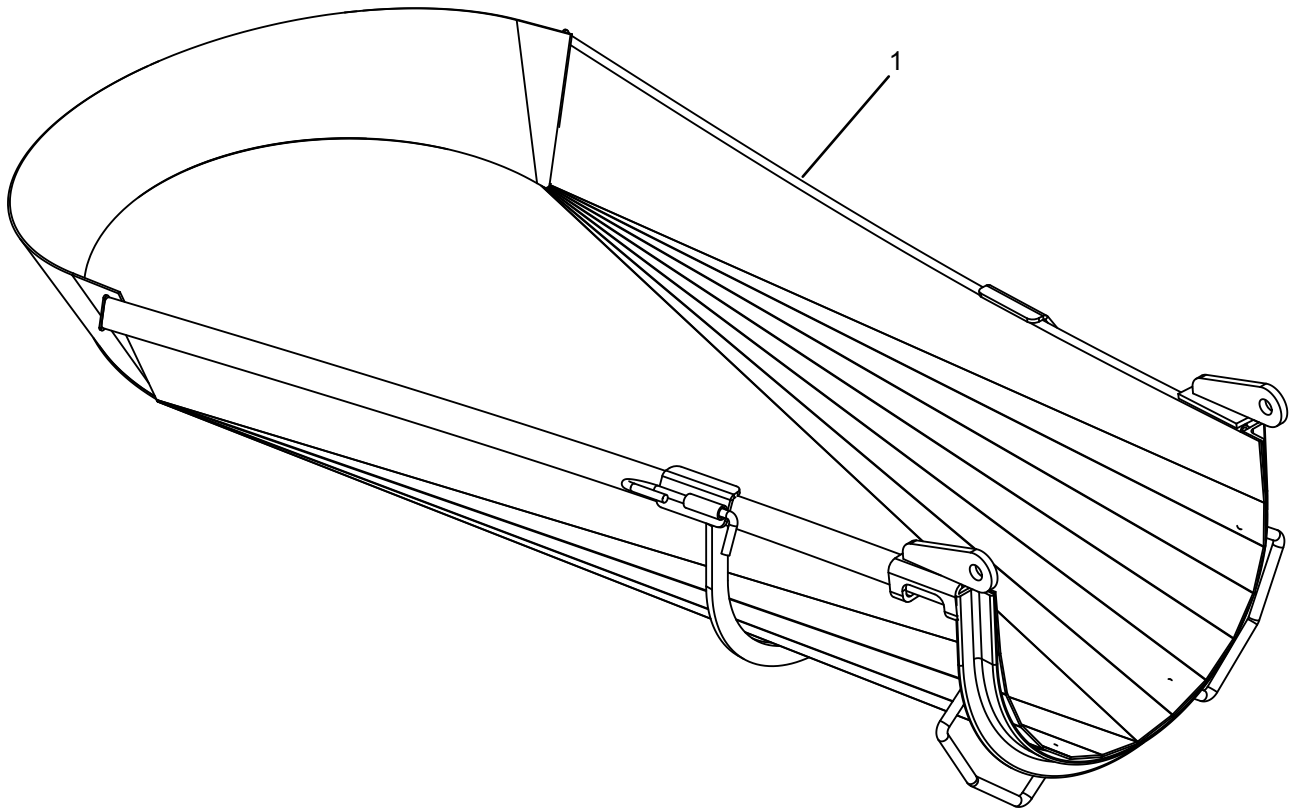
Water Scale, 580 Litre, 24.....	169
30 ALUM Tank ASSY, HWP, X - MNT.....	171
30 ALUM Tank ASSY, HWP, X - MNT.....	175
Ingersol Rand WTR PUMP INSTALL.....	179
OTHERS	
Mixer Mounting.....	187
INSTR, FR Camera.....	189
Cover Weld't.....	191
Slump Meter Sub Assembly.....	193
INSTL, ELEC Cooler, LMI.....	195
INSTL, GRD, Rollers, MTG, Acorn.....	197
INSTL, Digital Slump, Flex.....	199
EP CHRNG Filter INSTL.....	203
INSTL, Camera, LMI Flex.....	205
INSTR, Side Camera, Hood.....	207
REPTO MOUNT HX INS, NO FAN.....	209
INSTL, ENVIROGUARD, MIXER.....	211
HYDRAULIC GROUP	
BLOCKS, MANIFOLDS & VALVE ASSEMBLIES	
CHT POS, Tilt HOP, Valve ASSY.....	213
CHT POS, Valve ASSY.....	215
GEAR BOX ASSEMBLIES	
ZF Speedreducer PK - 7300.....	217
ZF Speedreducer PK - 7500.....	219
CONTROLS AND ELECTRICAL GROUP	
CONTROLS - IN CAB CONTROL BOX	
CTRL Box & Pendant, MXR.....	221
Cruise Relay ASSY Options.....	223
CONTROLS - IN CAB PENDANT	
Radio Remote INSTL. - 10 Button.....	231
LIGHT ASSEMBLIES	
Light, Red, Super Bright.....	235
Worklight, 2nd STR FNDR.....	237





LONDON ACT. 4' CHUTE

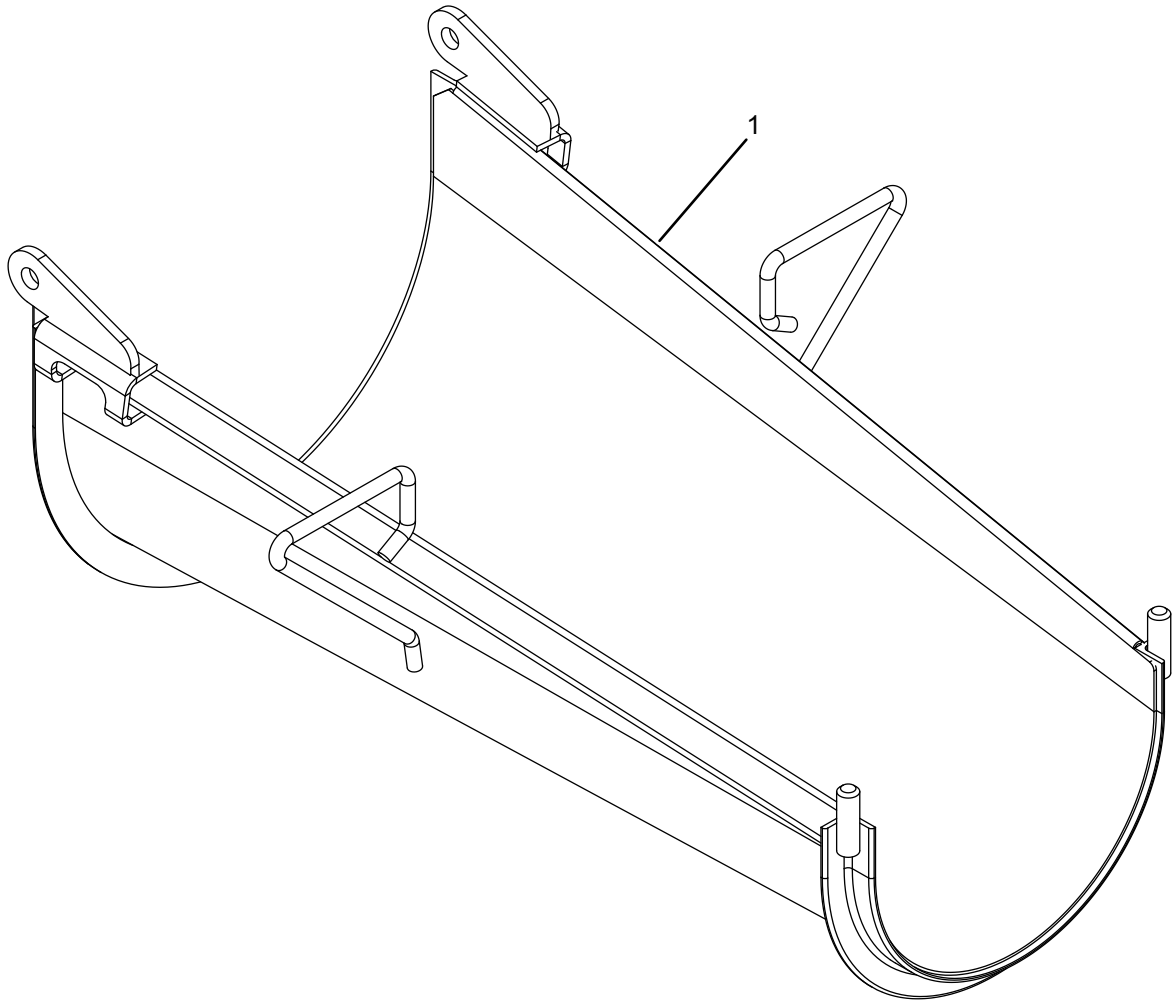
ITEM	PART #	PART DESCRIPTION	UOM	QTY
1	MC-22473	LONDON ACT. 4' CHUTE	EA	1





STANDARD MAIN CHUTE

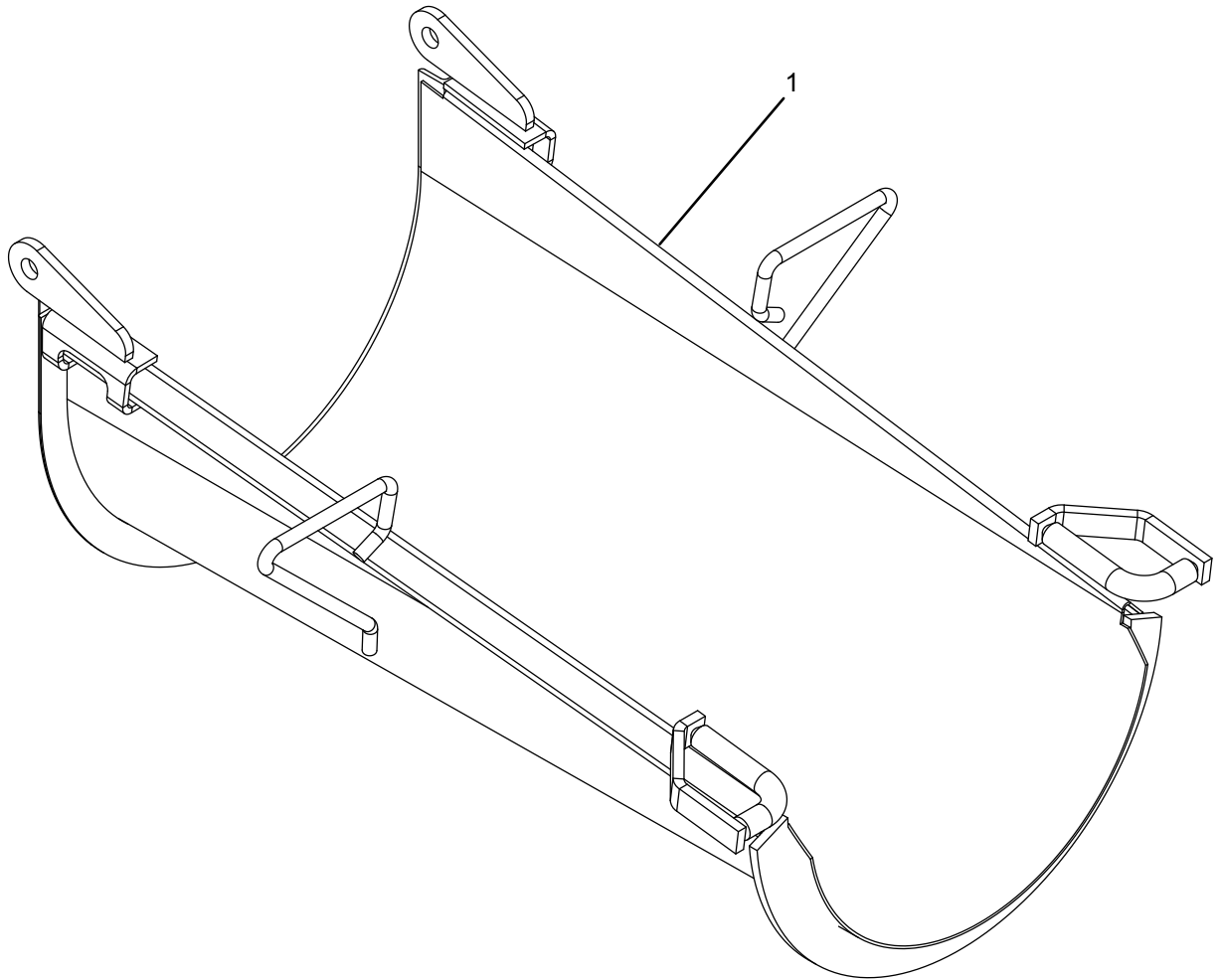
ITEM	PART #	PART DESCRIPTION	UOM	QTY
1	1452522	STANDARD MAIN CHUTE	EA	1





FOLDOVER CHUTE, STD/STD

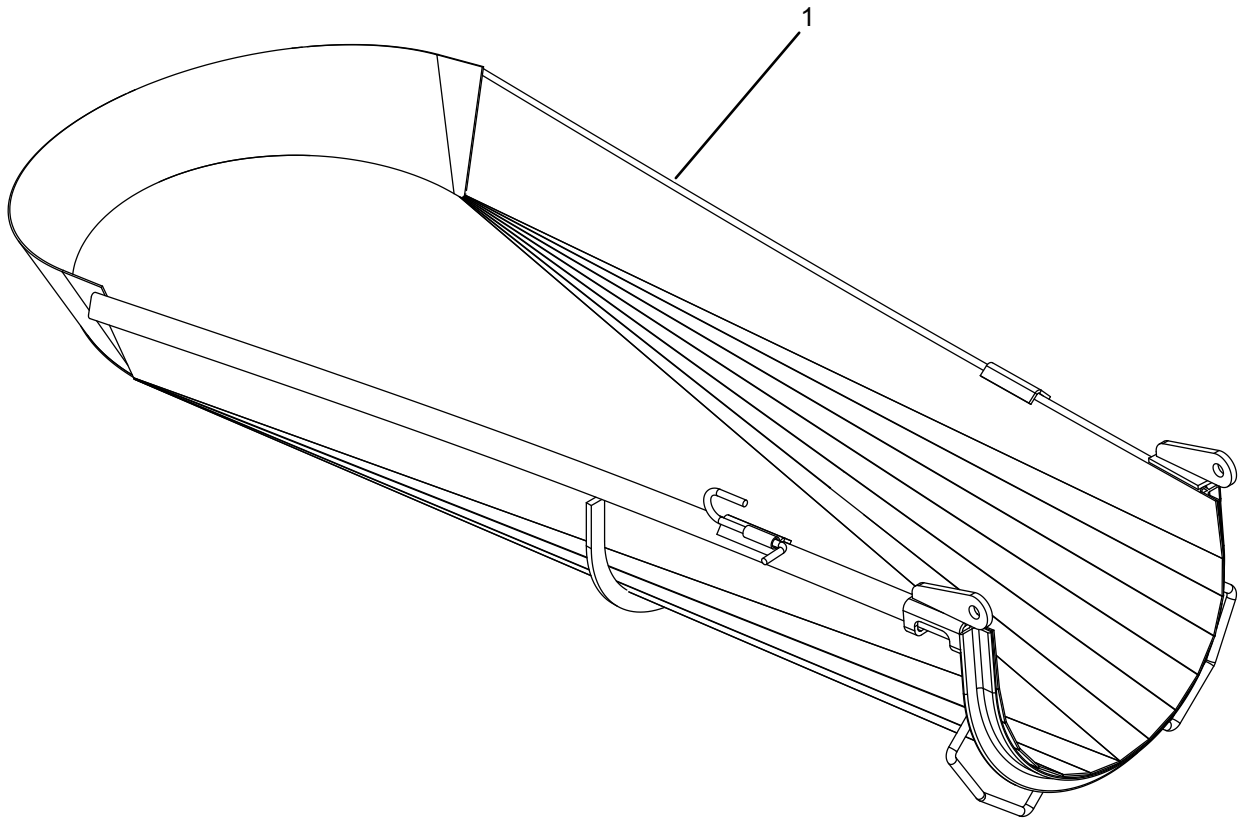
ITEM	PART #	PART DESCRIPTION	UOM	QTY
1	1452568	FOLDOVER CHUTE, STD/STD	EA	1





FOLDOVER CHUTE, STD/MTM

ITEM	PART #	PART DESCRIPTION	UOM	QTY
1	1452555	FOLDOVER CHUTE, STD/MTM	EA	1

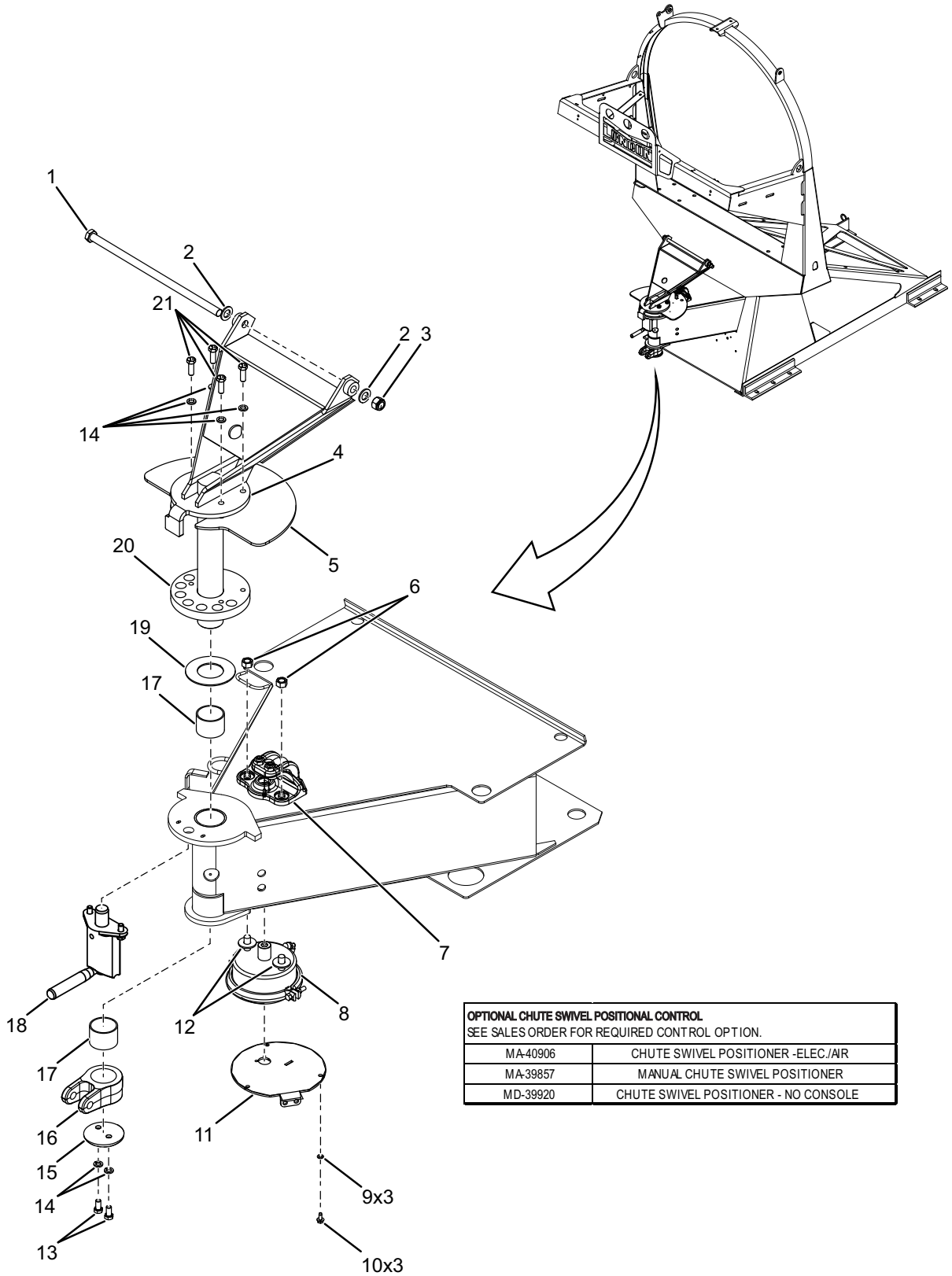




EXTRA LONG MAIN CHUTE

ITEM	PART #	PART DESCRIPTION	UOM	QTY
1	1452546	MAIN CHUTE, XLONG	EA	1
1	1452530	MAIN CHUTE, XLONG, L, CA, W	EA	1
1	1452542	MAIN CHUTE, XLONG, L, CA, P	EA	1
1	1452957	MAIN CHUTE, XLONG, L, CA	EA	1
1	1583332	MAIN CHUTE, XLONG, L, W	EA	1
1	1452543	MAIN CHUTE, XLONG, L, P	EA	1
1	1452954	MAIN CHUTE, XLONG, L	EA	1
1	1452544	MAIN CHUTE, XLONG, CA, W	EA	1
1	1452953	MAIN CHUTE, XLONG, CA, P	EA	1
1	1452952	MAIN CHUTE, XLONG, CA	EA	1
1	1452545	MAIN CHUTE, XLONG, W	EA	1
1	1452951	MAIN CHUTE, XLONG, P	EA	1
1	1545380	MAIN CHUTE, XLONG, L, HYD, W	EA	1
1	1545381	MAIN CHUTE, XLONG, HYD, W	EA	1

CHUTE POSITIONER ASSEMBLY



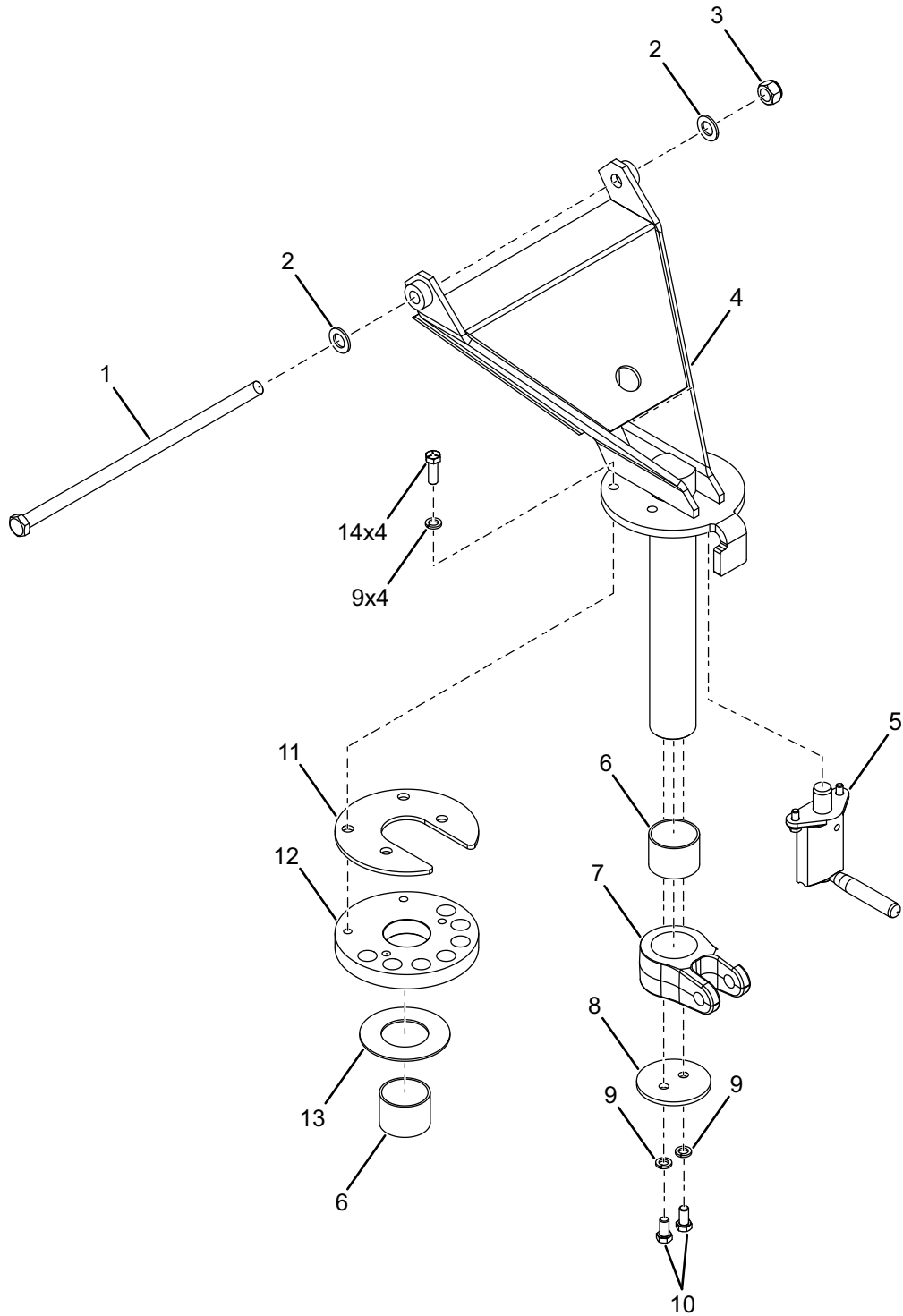
OPTIONAL CHUTE SWIVEL POSITIONAL CONTROL	
SEE SALES ORDER FOR REQUIRED CONTROL OPTION.	
MA-40906	CHUTE SWIVEL POSITIONER -ELEC/AIR
MA-39857	MANUAL CHUTE SWIVEL POSITIONER
MD-39920	CHUTE SWIVEL POSITIONER - NO CONSOLE



CHUTE POSITIONER ASSEMBLY

ITEM	PART #	PART DESCRIPTION	UOM	QTY
1	HH-00293-154	SCR, CAP, HEX, .75 - 10X18 G5 ZC	EA	1
2	HH-00613-001	3/4 TENSION WASHER	EA	2
3	HH-00340-006	3/4 UNC NYLOC NUT GR.5	EA	1
4	MC-38646	CHUTE SWIVEL	EA	1
5	MB-42640	CALIPER DISC	EA	1
6	HH-01324-010	5/8' UNC CENTER LOCKNUT	EA	2
7	MB-41897	CALIPER ASS'Y	EA	1
8	MB-41895	BRAKE CHAMBER ASSEMBLY	EA	1
9	HH-00457-007	LOCK WASHER 5/16" NOM	EA	3
10	HH-00060-060	5/16 UNC X 3/4 SELF TAP SCREW	EA	3
11	MA-37834-02	COVER PLATE	EA	1
12	HH-00341-008	5/8 FLAT WASHER	EA	2
13	1136707	SCR, CAP, HEX .50 - 13X1.00 G5 ZC	EA	2
14	HH-00457-001	LOCK WASHER 1/2"	EA	6
15	MA-32775	KEEPER PLATE	EA	1
16	MB-41911	CHUTE CYLINDER CLEVIS - MACHINE	EA	1
17	MA-39263	GARLOCK BUSHING	EA	2
18	MB-35571	CHUTE LOCK ASS'Y	EA	1
19	MA-39262	THRUST WASHER	EA	1
20	MC-33336	SWIVEL BEARING PLATE	EA	1
21	1136709	SCR, CAP, HEX .50 - 13X1.50 G5 ZC	EA	4

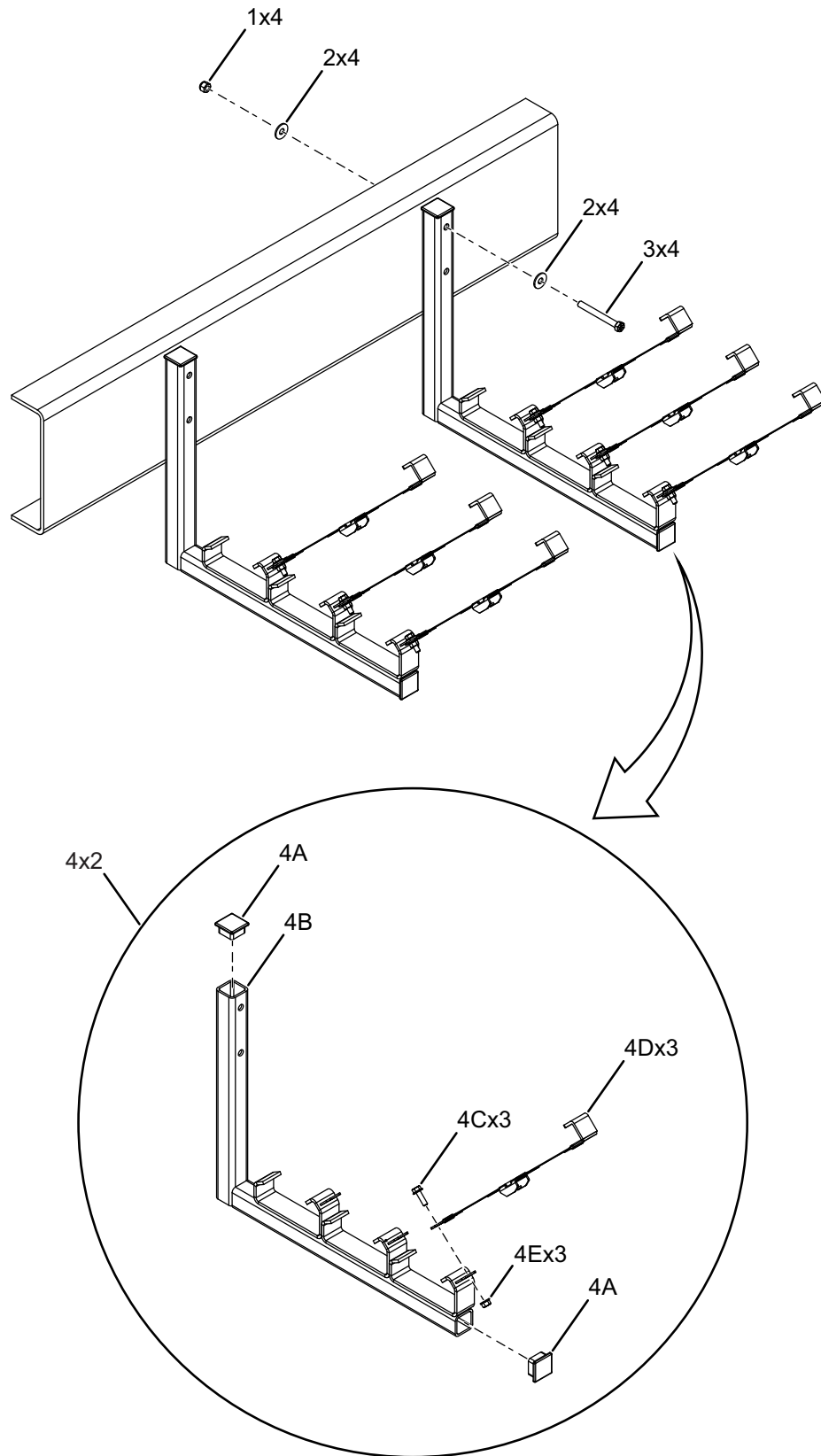
CHUTE SWIVEL & LOCK ASS'Y





CHUTE SWIVEL & LOCK ASS'Y

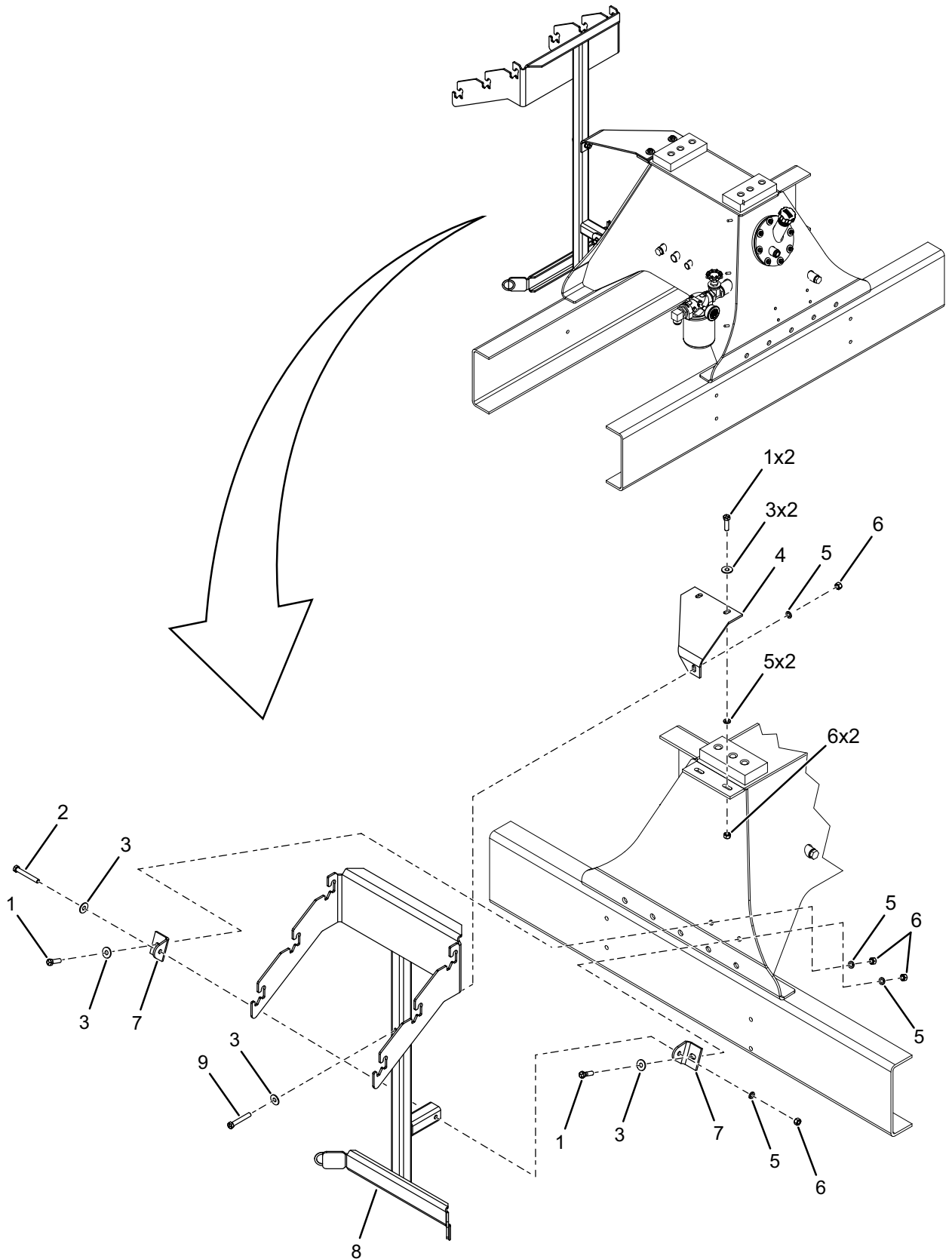
ITEM	PART #	PART DESCRIPTION	UOM	QTY
1	HH-00293-154	SCR, CAP, HEX .75 - 10X18 G5 ZC	EA	1
2	HH-00613-001	3/4 TENSION WASHER	EA	2
3	HH-00340-006	3/4 UNC NYLOC NUT GR.5	EA	1
4	MC-38646	CHUTE SWIVEL	EA	1
5	MB-35571	CHUTE LOCK ASS'Y	EA	1
6	MA-39263	GARLOCK BUSHING	EA	2
7	MB-41911	CHUTE CYLINDER CLEVIS - MACHINE	EA	1
8	MA-32775	KEEPER PLATE	EA	1
9	HH-00457-001	LOCK WASHER 1/2"	EA	6
10	1136707	SCR, CAP, HEX .50 - 13X1.00 G5 ZC	EA	2
11	MA-39301	SPACER PLATE	EA	1
12	MC-33336	SWIVEL BEARING PLATE	EA	1
13	MA-39262	THRUST WASHER	EA	1
14	1136709	SCR, CAP, HEX .50 - 13X1.50 G5 ZC	EA	4





HORIZONTAL CHUTE MOUNT - STD

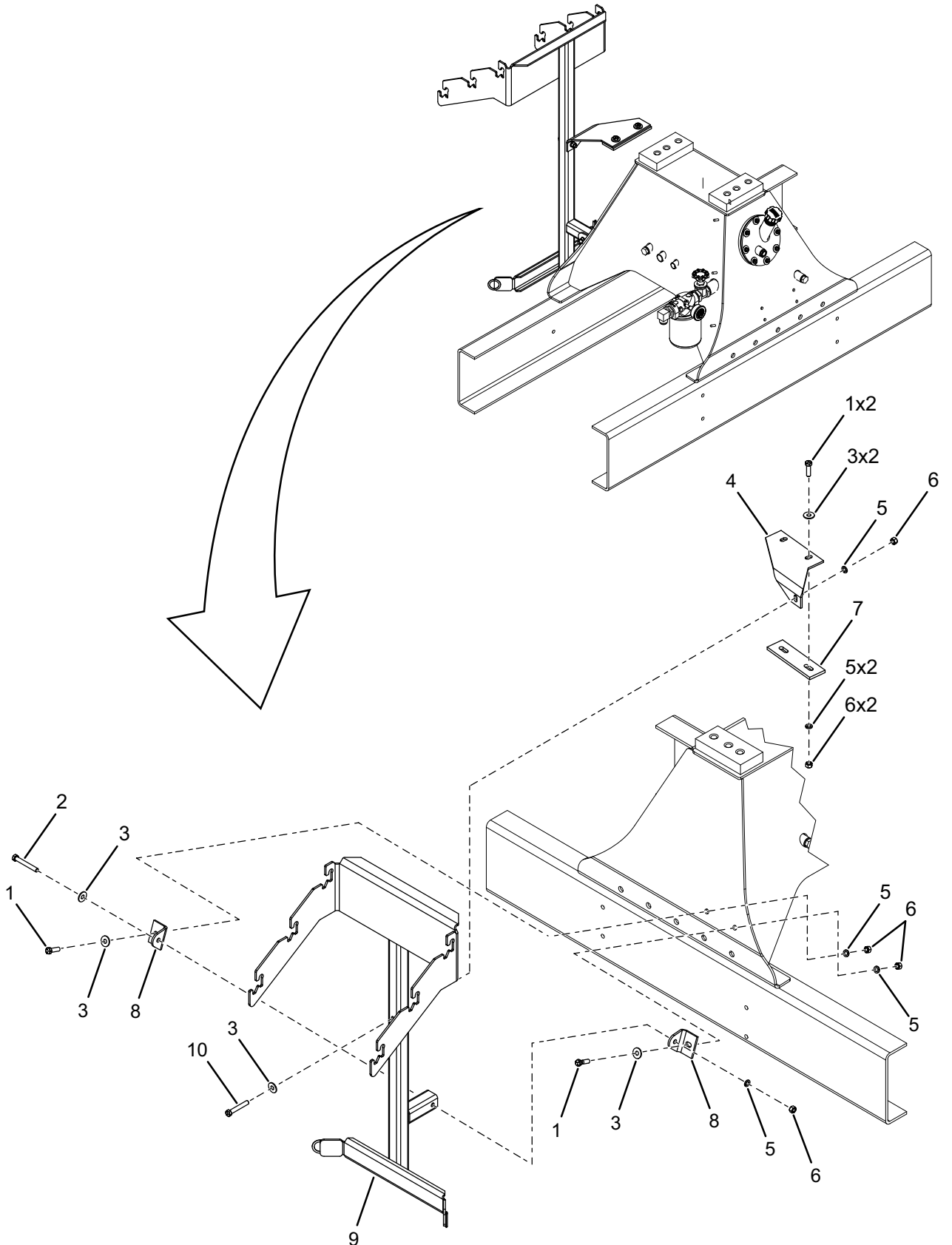
ITEM	PART #	PART DESCRIPTION	UOM	QTY
1	HH-00540-004	1/2 - 20 UNF NYLOCK NUT	EA	4
2	HH-00341-006	1/2 FLAT WASHER	EA	8
3	1136761	SCR, CAP, HEX .50 - 13X4.50 G8 ZY	EA	4
4	1593301	HORIZONTAL CH MOUNT - SUB ASSY	EA	2
4A	HH-01272-012	PLASTIC CAP	EA	4
4B	MD-39432	3 CHUTE HORIZ. MTG. BRACKET	EA	2
4C	HH-01187-002	SCR, FLG, HEX .375 - 16X1.250 G8 ZC	EA	6
4D	1583017	CAMSTRAP, 1"X26", W/RUB HOOK	EA	6
4E	HH-01188-001	NUT, FLG, LKDT .3750 - 16 GG CW	EA	6





VERTICAL CHUTE MOUNTING, ZF

ITEM	PART #	PART DESCRIPTION	UOM	QTY
1	1136710	SCR, CAP, HEX .50 - 13X1.75 G5 ZC	EA	4
2	HH-00293-099	HEX HD CAP SCREW 1/2" UNC X 3 3/4"	EA	1
3	HH-00341-006	1/2 FLAT WASHER	EA	6
4	MB-37839-01	STABILIZER PLATE ZF - LONG	EA	1
5	HH-00457-001	LOCK WASHER 1/2"	EA	6
6	HH-00294-005	1/2 UNC HEX NUT GR5	EA	6
7	MA-37836	HINGE BRACKET	EA	2
8	MC-37830	VERTICAL CHUTE RACK WELD'T	EA	1
9	1136716	SCR, CAP, HEX .50 - 13X3.25 G5 ZC	EA	1

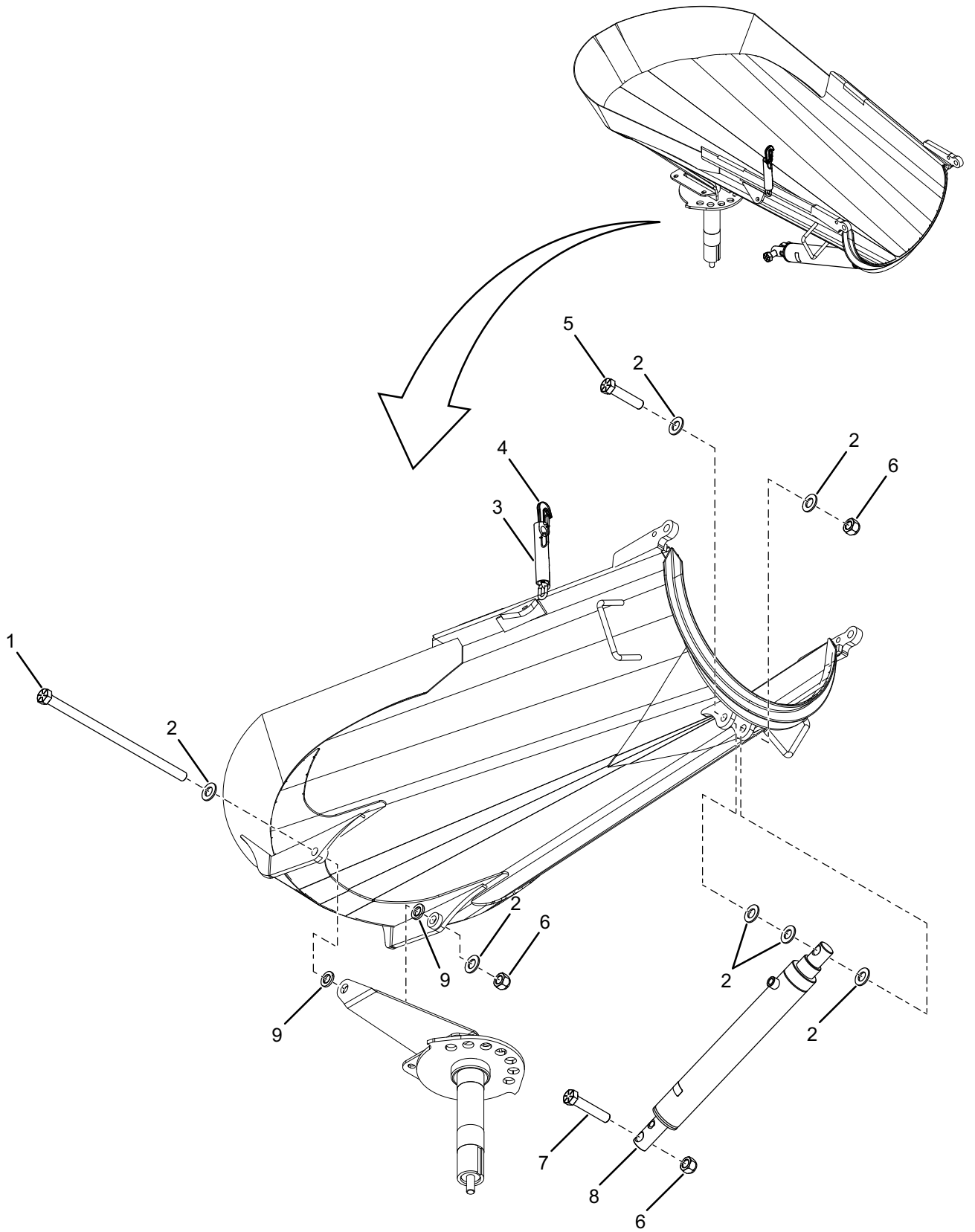




VERTICAL CHUTE MOUNTING, ZF

ITEM	PART #	PART DESCRIPTION	UOM	QTY
1	1136710	SCR, CAP, HEX .50 - 13X1.75 G5 ZC	EA	4
2	HH-00293-099	HEX HD CAP SCREW 1/2" UNC X 3 3/4"	EA	1
3	HH-00341-006	1/2 FLAT WASHER	EA	6
4	MB-37839-02	STABILIZER PLATE ZF - LONG	EA	1
5	HH-00457-001	LOCK WASHER 1/2"	EA	6
6	HH-00294-005	1/2 UNC HEX NUT GR5	EA	6
7	MA-37838	PEDESTAL EXTENSION ZF5300	EA	1
8	MA-37836	HINGE BRACKET	EA	2
9	MC-37830	VERTICAL CHUTE RACK WELD'T	EA	1
10	1136716	SCR, CAP, HEX .50 - 13X3.25 G5 ZC	EA	1

MAIN CHUTE HARDWARE

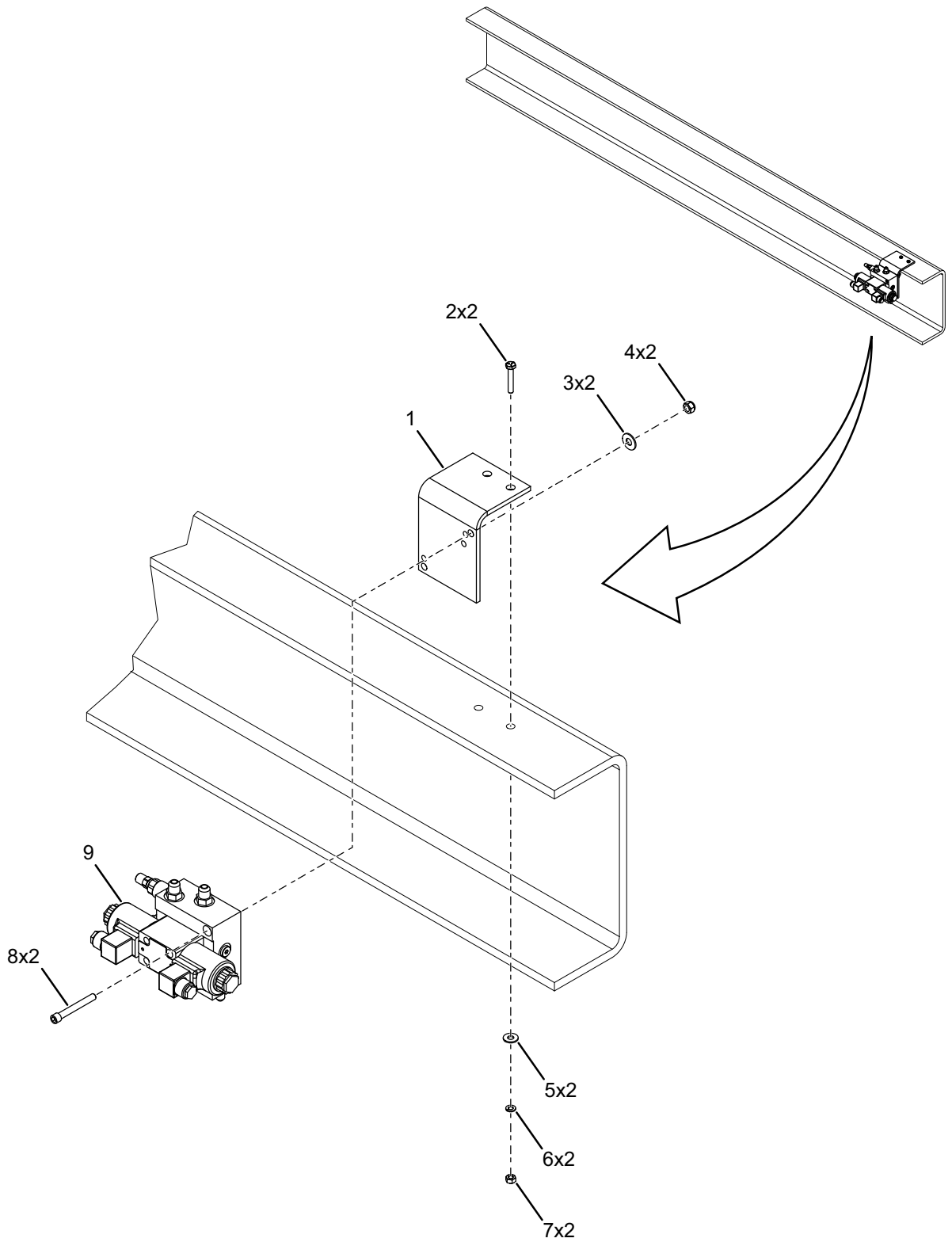




MAIN CHUTE HARDWARE

ITEM	PART #	PART DESCRIPTION	UOM	QTY
1	1362057	SCR, CAP, HEX .88 - 9X18.00 G8 UF	EA	1
2	0120283	WASH, FLT .88X1.75X.12 ZY HDN	EA	7
3	102028_3	HOSE, RBR, WTR	EA	1
4	1552727	HOOK, CHAIN, W/QUICK LINK, ASSY	EA	1
5	1136976	SCR, CAP, HEX .88 - 9X4.00 G8 ZY	EA	1
6	0120183	NUT, HEX, LKDT .88 - 9 GC ZC	EA	3
7	1136978	SCR, CAP, HEX .88 - 9X4.50 G8 ZY	EA	1
8	1139838	CYL, CHUTE, 2.50X2.00X15.25, D/A	EA	1
9	0200607	WASH, FLT .88X1.50X.19 UF HDN	EA	2

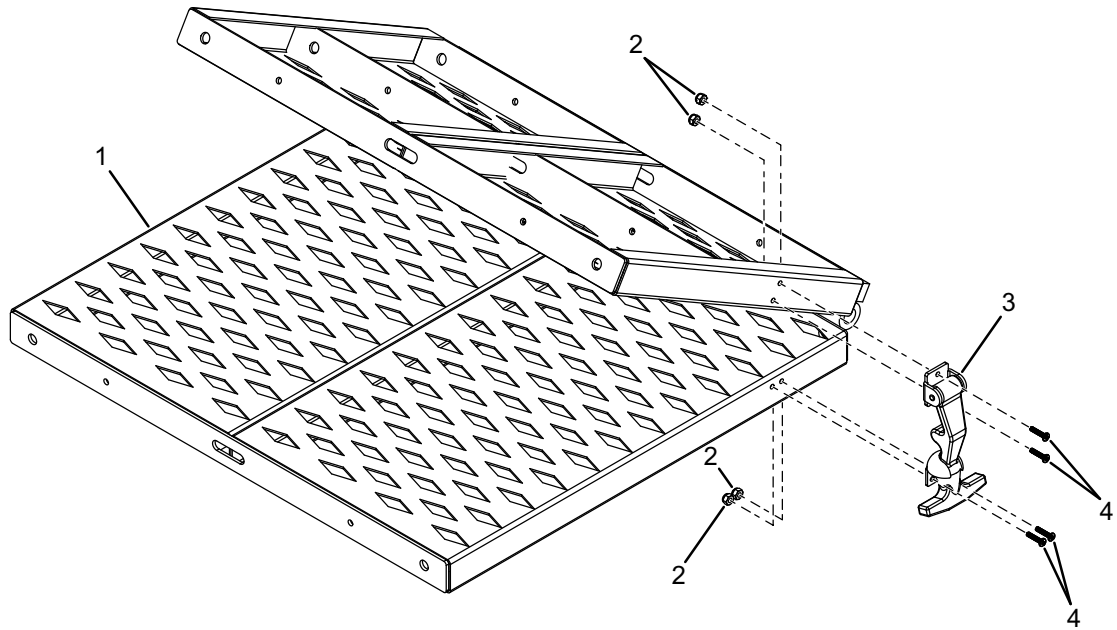
CHUTE VALVE INSTALLATION





CHUTE VALVE INSTALLATION

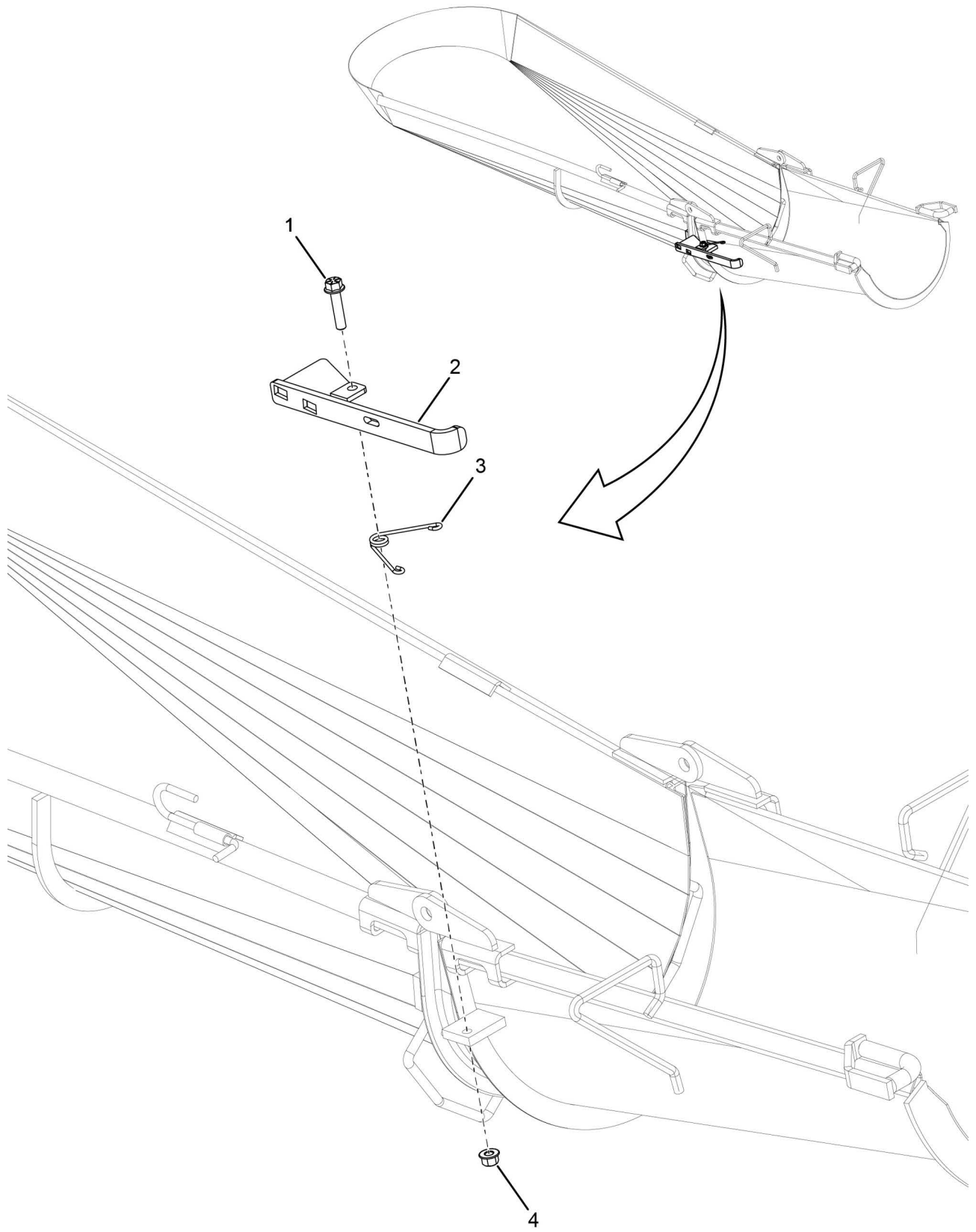
ITEM	PART #	PART DESCRIPTION	UOM	QTY
1	MA-38054	CONTROL VALVE BRKT.	EA	1
2	HH-00293-008	1/4 UNC X 1.5 BOLT GR.5	EA	2
3	HH-00341-003	WASH, FLT .31 X .88 X .06 ZC	EA	2
4	HH-00340-017	5/16 UNC NYLOC NUT	EA	2
5	HH-00341-002	1/4 FLAT WASHER	EA	2
6	HH-00457-006	WASH, SPR, SPT .25 X .50 X .06 ZC	EA	2
7	HH-00294-001	1/4 UNC HEX NUT GR.5	EA	2
8	HH-00356-107	5/16 - 18 X 2.5 BOLT	EA	2
9	MA-42219	CHUTE CONTROL VALVE - COM. SUCT.	EA	1





FOLDING PLATFORM INSTALL

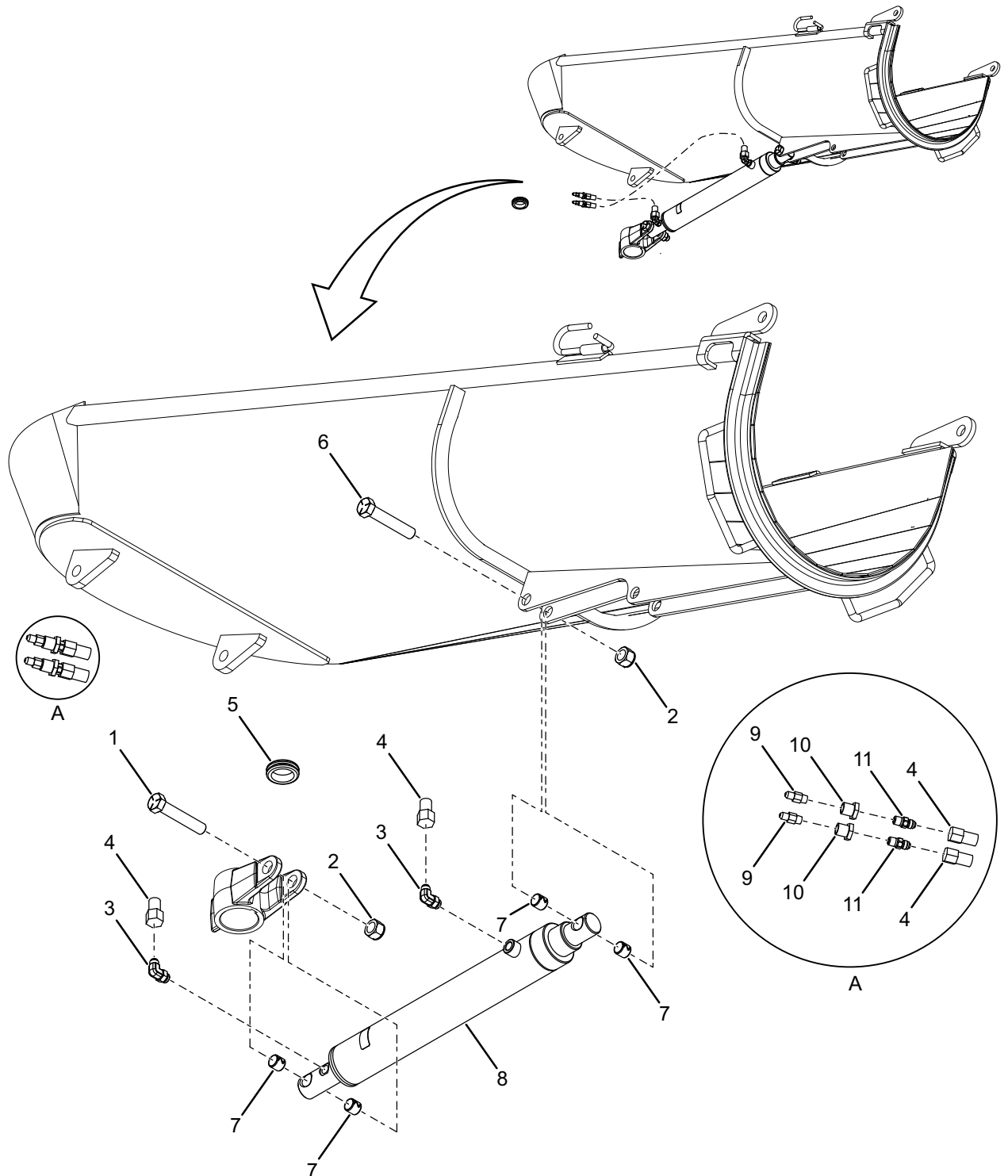
ITEM	PART #	PART DESCRIPTION	UOM	QTY
1	MB-42934	WELDMENT, FOLDING PLATFORM	EA	1
2	HH-00340-020	NUT, HEX, LKNY #10 - 24 G5 ZC	EA	4
3	HH-00857-007	HOOD LATCH	EA	1
4	HH-01326-043	MACH. SCREW #10 - 24x3/4 LG	EA	4





INSTR, CHUTE STOP, LMI

ITEM	PART #	PART DESCRIPTION	UOM	QTY
1	1164982	SCR, FLG, HEX, .50 - 13X2.25 G8 ZY	EA	1
2	1537018	CHUTE STOP LEVER	EA	1
3	1539447	SPRING, TORSION, SS, CHUTE STOP	EA	1
4	0120201	NUT, FLG, LKDT .50 - 13 GG CW	EA	1

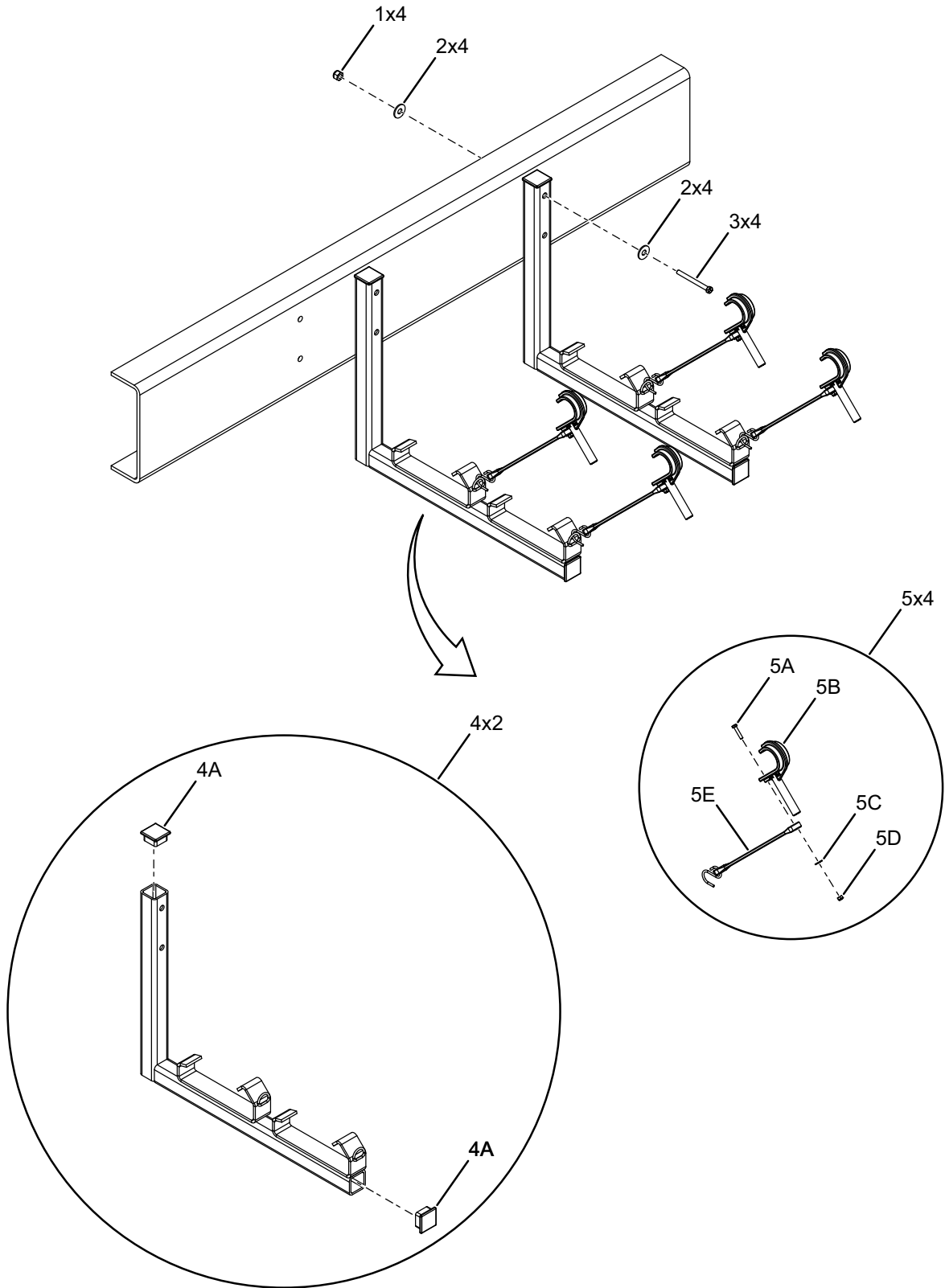


Note: Callout 4 is a part of hose assembly bundle.
 Callout 5 is located inside of rear pedestal.



CHUTE CYLINDER INSTL.

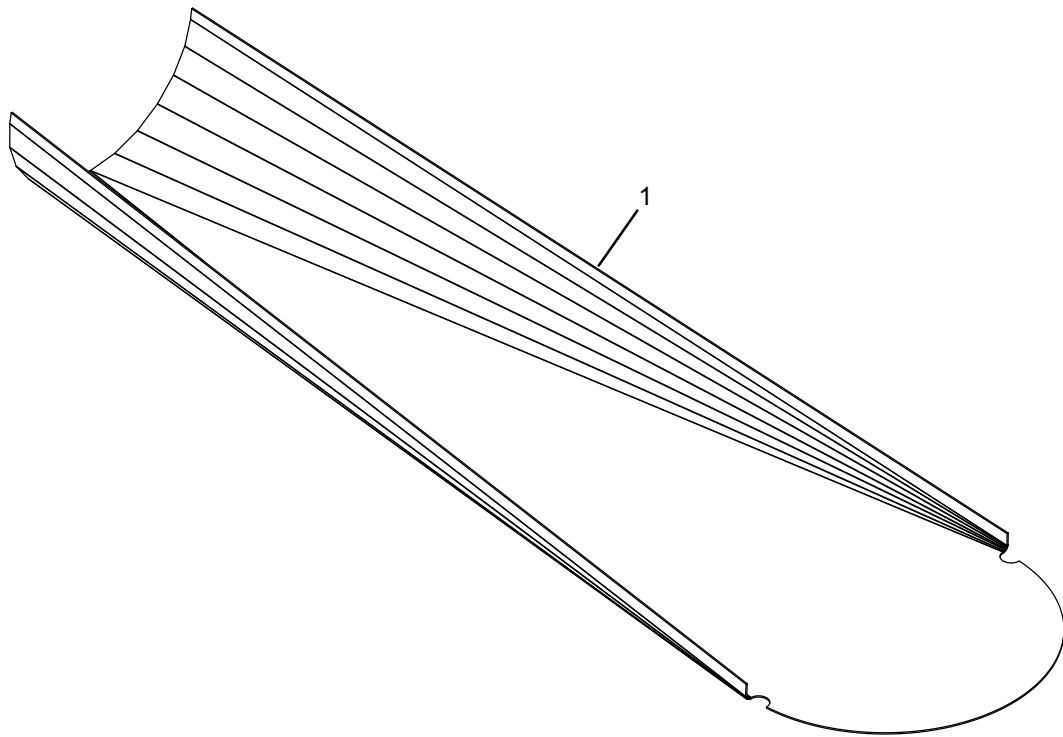
ITEM	PART #	PART DESCRIPTION	UOM	QTY
1	HH-00293-155	SCR, CAP, HEX .75 - 10X4.00 G5 ZC	EA	1
2	HH-00340-006	3/4 UNC NYLOC NUT GR.5	EA	2
3	HH-00923-021	FTG, 90 6 ORB - 6 JIC MM	EA	2
4	1582336	MTM CHUTE U/D HOSE ASSY - WRPD	EA	1
5	HH-00828-164	GROM, RND 1.50X2.13 RBR	EA	1
6	HH-00293-153	SCR, CAP, HEX .75 - 10X3.50 G5 ZC	EA	1
7	1131363	BUSH, .88 X .75 X .75, CONNEX	EA	4
8	1139838	CYL, CHUTE, 2.50X2.00X15.25, D/A	EA	1
9	HH-00893-004	FTG, ST 4 NPT - 4 JIC MM	EA	2
10	HH-01268-002	PIPE, STEEL FITTING, BULK HD	EA	2
11	HH-00893-008	FTG, ST 4 NPT E 60 - 6 JIC MM	EA	2
		*CALLOUT 4 IS A PART OF HOSE ASSEMBLY BUNDLE.		





HORIZONTAL CHUTE MTG. INSTL.

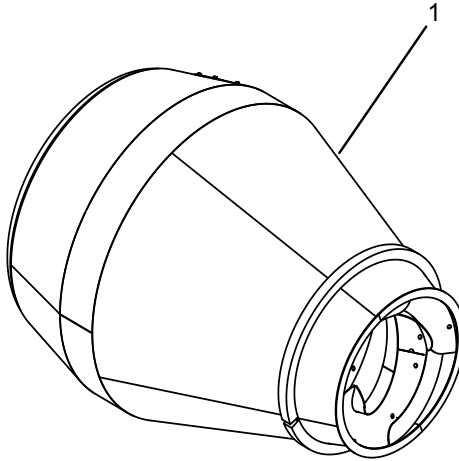
ITEM	PART #	PART DESCRIPTION	UOM	QTY
1	HH-00540-004	1/2 - 20 UNF NYLOCK NUT	EA	4
2	HH-00341-006	1/2 FLAT WASHER	EA	8
3	1134559	SCR, CAP, HEX .38 - 16X4.00 G5 ZC	EA	4
4	MD-39641	CHUTE MTG. BRK'T WELD'T	EA	2
4A	HH-01272-012	PLASTIC CAP	EA	4
5	MB-42076	15" CHUTE STRAP ASSY	EA	4
5A	1134335	SCR, CAP HEX, .25 - 20X1.25 G5 ZC	EA	4
5B	MB-41952	HANDLE CHUTE LOCKING	EA	4
5C	HH-00341-002	1/4 FLAT WASHER	EA	4
5D	HH-00340-016	1/4 UNC NYL. NUT GR.5	EA	4
5E	HH-00864-005	15" RUBBER STRAP	EA	4





CHUTE MAIN LINER - TRAILER

ITEM	PART #	PART DESCRIPTION	UOM	QTY
1	1453579	CHUTE MAIN LINER - TRAILER	EA	1



ASSEMBLY NUMBER	SIZE		"A"	"B"	VOLUME CU.FT	PART No. ITEM 2	PART No. ITEM 1	"W"	"C"		
	CU.YD.	CU.M									
MB-42937-01	-	4.0	119 1/2"	12"	282"	MB-42936-01	MD-37980-01	3"	48"		
MB-42937-02	8.5	6.0	145 1/2"	38"	377"	MB-42936-02	MD-37980-01	3"	48"		
MB-42937-03	9.0	6.5	152"	44 1/2"	401"	MB-42936-03	MD-37980-01	3"	48"		
MB-42937-04	9.5	7.0	158 1/2"	51"	425"	MB-42936-04	MD-37980-01	3"	48"		
MB-42937-05	10.5	8.0	171 1/2"	64"	472"	MB-42936-05	MD-37980-01	3"	48"		
MB-42937-06	11.5	8.5	184 1/2"	77"	519"	MB-42936-06	MD-37980-03	4"	48"		
MB-42937-07	12.0	9.0	190 1/2"	83"	541"	MB-42936-07	MD-37980-03	4"	48"		
MB-42937-08	-	10.0	206 1/2"	99"	599"	MB-42936-08	MD-37980-04	4"	46"		
MB-42937-09	10.5	8.0	171 1/2"	64"	472"	MB-42936-05	MD-37980-02	3"	46"	L.P.	
MB-42937-31	11.5	8.5	184 1/2"	77"	519"	MB-42936-06	MD-37980-02	3"	46"	L.P.	
MB-42937-10	12.0	9.0	190 1/2"	83"	541"	MB-42936-07	MD-37980-04	4"	46"	L.P.	
MB-42937-11	10.0	-	164 3/4"	57 1/4"	448"	MB-42936-09	MD-37980-01	3"	48"		
MB-42937-12	10.5	8.0	171 1/2"	64"	472"	MB-42936-05	MD-37980-05	3"	49"		
MB-42937-13	11.5	8.5	184 1/2"	77"	519"	MB-42936-06	MD-37980-05	3"	49"		
MB-42937-14	12.5	9.5	197 1/2"	90"	566"	MB-42936-10	MD-37980-04	4"	46"		
MB-42937-15	6.0	4.5	129 1/2"	22"	318"	MB-42936-11	MD-37980-01	3"	46"		
MB-42937-16	-	4.0	119 1/2"	12"	282"	MB-42936-12	MD-37980-01	3"	48"		
MB-42937-17	8.5	6.0	145 1/2"	38"	377"	MB-42936-13	MD-37980-01	3"	48"		
MB-42937-18	9.0	6.5	152"	44 1/2"	401"	MB-42936-14	MD-37980-01	3"	48"		
MB-42937-19	9.5	7.0	158 1/2"	51"	425"	MB-42936-15	MD-37980-01	3"	48"		
MB-42937-20	10.5	8.0	171 1/2"	64"	472"	MB-42936-16	MD-37980-01	3"	48"		
MB-42937-21	11.5	8.5	184 1/2"	77"	519"	MB-42936-17	MD-37980-03	4"	48"		
MB-42937-22	12.0	9.0	190 1/2"	83"	541"	MB-42936-18	MD-37980-03	4"	48"		
MB-42937-23	-	10.0	206 1/2"	99"	599"	MB-42936-19	MD-37980-04	4"	46"		
MB-42937-24	10.5	8.0	171 1/2"	64"	472"	MB-42936-16	MD-37980-02	3"	46"	L.P.	
MB-42937-25	12.0	9.0	190 1/2"	83"	541"	MB-42936-18	MD-37980-04	4"	46"	L.P.	
MB-42937-26	10.0	-	164 3/4"	57 1/4"	448"	MB-42936-20	MD-37980-01	3"	48"		
MB-42937-27	10.5	8.0	171 1/2"	64"	472"	MB-42936-16	MD-37980-05	3"	49"		
MB-42937-28	11.5	8.5	184 1/2"	77"	519"	MB-42936-17	MD-37980-05	3"	49"		
MB-42937-29	12.5	9.5	197 1/2"	90"	566"	MB-42936-21	MD-37980-04	4"	46"		
MB-42937-30	6.0	4.5	129 1/2"	22"	318"	MB-42936-22	MD-37980-01	3"	46"		

LARGE HATCH
DOOR
W/INSIDE NUT

LARGE HATCH
DOOR
W/INSIDE BOLT



MIXER DRUM ASSEMBLY

ITEM	PART #	PART DESCRIPTION	UOM	QTY
1	1449040	DRM, 4M, TYP A, FC.18, B.18	EA	1
1	1449041	DRM, 4M, TYP A, FC.18, B.18	EA	1
1	1449043	DRM, 4M, TYP A, FC.18, B.18	EA	1
1	1449045	DRM, 4M, TYP A, FC.18, B.18	EA	1
1	1449046	DRM, 4M, TYP A, FC.25, B.25	EA	1
1	1449048	DRM, 4M, TYP A, FC.25, B.25	EA	1
1	1449054	DRM, 6M, TYP A, FC.18, B.18	EA	1
1	1449056	DRM, 6M, TYP A, FC.18, B.18	EA	1
1	1449059	DRM, 6M, TYP A, FC.18, B.18	EA	1
1	1449060	DRM, 6M, TYP A, FC.18, B.18	EA	1
1	1449062	DRM, 6M, TYP A, FC.25, B.25	EA	1
1	1449069	DRM, 6M, TYP A, FC.25, B.25	EA	1
1	1449072	DRM, 65M, TYP A, FC.18, B.18	EA	1
1	1449074	DRM, 65M, TYP A, FC.18, B.18	EA	1
1	1449076	DRM, 65M, TYP A, FC.18, B.18	EA	1
1	1449078	DRM, 65M, TYP A, FC.18, B.18	EA	1
1	1449080	DRM, 65M, TYP A, FC.25, B.25	EA	1
1	1449082	DRM, 65M, TYP A, FC.25, B.25	EA	1
1	1449084	DRM, 7M, TYP A, FC.18, B.18	EA	1
1	1449086	DRM, 7M, TYP A, FC.18, B.18	EA	1
1	1449088	DRUM, 7M, TYP A, FC.18, B.18	EA	1
1	1449091	DRM, 7M, TYP A, FC.18, B.18	EA	1
1	1449092	DRM, 7M, TYP A, FC.25, B.25	EA	1
1	1449094	DRM, 7M, TYP A, FC.25, B.25	EA	1
1	1449100	DRM, 8M, TYP A, FC.18, B.18	EA	1
1	1449103	DRM, 8M, TYP A, FC.18, B.18	EA	1
1	1449105	DRM, 8M, TYP A, FC.18, B.18	EA	1
1	1449108	DRM, 8M, TYP A, FC.25, B.25	EA	1
1	1449109	DRM, 8M, TYP A, FC.25, B.25	EA	1
1	1449110	DRM, 8M, TYP A, FC.25, B.25	EA	1
1	1449111	DRM, 8M, TYP A, FC.25, B.25	EA	1
1	1449119	DRM, 85M, TYP A, FC.18, B.18	EA	1
1	1449121	DRM, 85M, TYP A, FC.18, B.18	EA	1



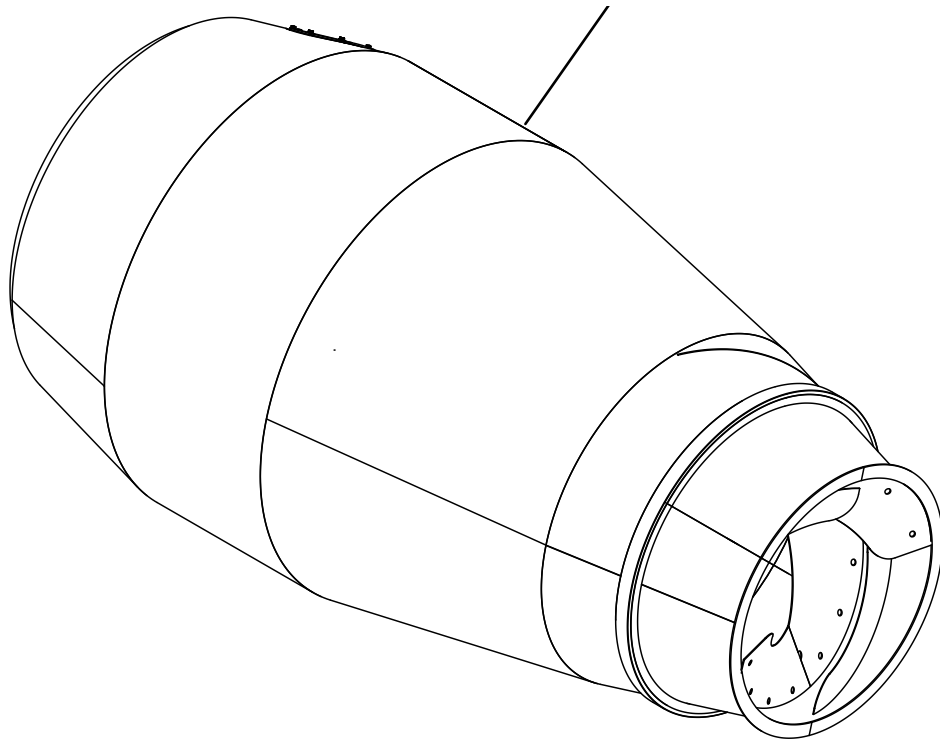
MIXER DRUM ASSEMBLY

ITEM	PART #	PART DESCRIPTION	UOM	QTY
1	1449122	DRM, 85M, TYP A, FC.18, B.18	EA	1
1	1449123	DRM, 85M, TYP A, FC.18, B.18	EA	1
1	1449124	DRM, 85M, TYP A, FC.25, B.25	EA	1
1	1449125	DRM, 85M, TYP A, FC.25, B.25	EA	1
1	1449126	DRM, 9M, TYP A, FC.18, B.18	EA	1
1	1449127	DRM, 9M, TYP A, FC.18, B.18	EA	1
1	1449128	DRM, 9M, TYP A, FC.18, B.18	EA	1
1	1449129	DRM, 9M, TYP A, FC.18, B.18	EA	1
1	1449132	DRM, 9M, TYP A, FC.25, B.25	EA	1
1	1449133	DRM, 10M, TYP A, FC.18, B.18	EA	1
1	1449135	DRM, 10M, TYP A, FC.18, B.18	EA	1
1	1449137	DRM, 10M, TYP A, FC.18, B.18	EA	1
1	1449139	DRM, 10M, TYP A, FC.18, B.18	EA	1
1	1449141	DRM, 10M, TYP A, FC.25, B.25	EA	1
1	1449143	DRM, 10M, TYP A, FC.25, B.25	EA	1
1	1453212	DRM, 8M, TYP A, FC.25, B.18	EA	1
1	1453213	DRM, 8M, TYP A, FC.25, B.18	EA	1
1	1463673	DRM, 7M, TYP A, FC.25, B.18	EA	1
1	1467861	DRM, 4M, TYP A, FC.25, B.25	EA	1
1	1473105	DRM, 7M, TYP A, FC.25, B.18	EA	1
1	1506821	DRM, 85M, TYP A, FC.18, B.18, LP	EA	1
1	1518550	DRM, 7M, TYP A, FC.25, B.18	EA	1
1	1518553	DRM, 6M, TYP A, FC.25, B.18	EA	1
1	1521290	DRM, 4M, TYP A, FC.25, B.25	EA	1
1	1522353	DRM, 9M, TYP A, FC.18, B.18	EA	1
1	1525417	DRM, 8M, TYP AP, FC.25, B.25	EA	1
1	1574548	DRM, 8M, TYP AP, FC.25, B.18	EA	1
1	1585076	DRM, 8M, TYP A, FC.25, B.18	EA	1
1	1605055	31M - DRM, 10.5M, TYP A, FC.25, B.25	EA	1
1	1625471	31M - DRM, 9M, TYP A, FC.25, B.18	EA	1
1	1625474	31M - DRM, 9M, TYP A, FC.25, B.18	EA	1
1	1639168	31M - DRM, 7M, TYP A, FC.25, B.25	EA	1
1	1639170	31M - DRM, 7M, TYP A, FC.25, B.25	EA	1



MIXER DRUM ASSEMBLY

ITEM	PART #	PART DESCRIPTION	UOM	QTY
1	1658433	31M - DRM, 85M, TYP A, FC.18, B.18	EA	1
1	1660752	31M - DRM, 9M, TYP A, FC.25, B.25	EA	1

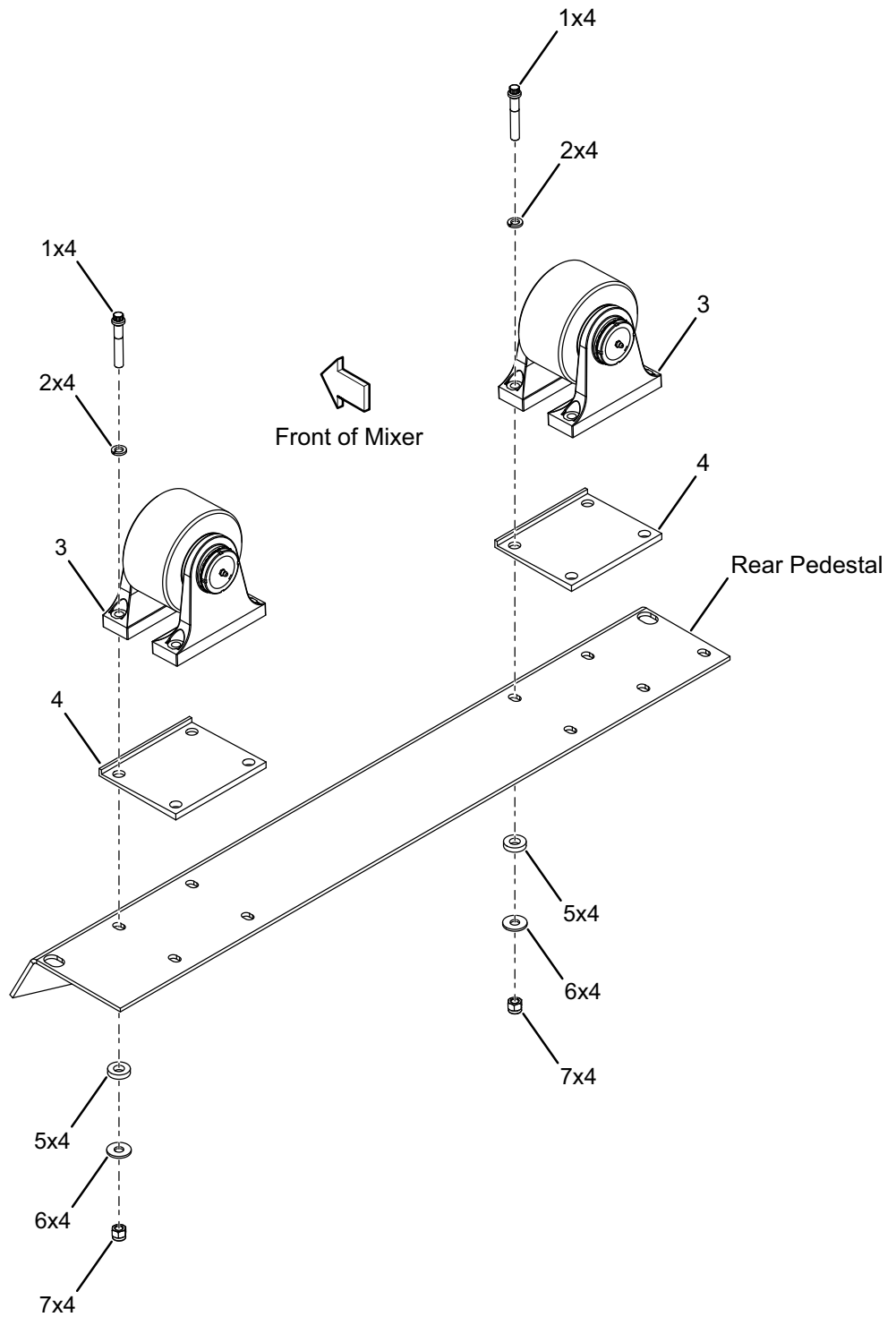


PART No.	DRUM SIZE AND TYPE	ITEM 1	ITEM 2	"A"	"B"	"C"	"D"	"E"	
MD-38394-01	10 1/2" YD.PAVER	MD-38387-01	MD-38393-01	186 3/4"	51"	19 1/2"	61"	3"	SMALL HATCH DOOR
MD-38394-02	11" YD. BOOSTER PAVER	MD-38387-02	MD-38393-02	193 1/2"	57 3/4"	23 1/8"	63"	4"	
MD-38394-03	9 1/2" YD.PAVER	MD-38387-03	MD-38393-01	173 1/4"	37 1/2"	19 1/2"	61"	3"	
MD-38394-04	11" YD.PAVER	MD-38387-04	MD-38393-03	193 1/2"	57 3/4"	19 1/2"	61 3/8"	4"	
MD-38394-05	12" YD.PAVER	MD-38387-05	MD-38393-03	207 1/2"	71 3/4"	19 1/2"	61 3/8"	4"	
MD-38394-06	10 1/2" YD.PAVER	MD-38387-06	MD-38393-01	186 3/4"	51"	19 1/2"	61"	3"	LARGE HATCH DOOR W/INSIDE BOLT
MD-38394-07	11" YD. BOOSTER PAVER	MD-38387-07	MD-38393-02	193 1/2"	57 3/4"	23 1/8"	63"	4"	
MD-38394-08	9 1/2" YD.PAVER	MD-38387-08	MD-38393-01	173 1/4"	37 1/2"	19 1/2"	61"	3"	
MD-38394-09	11" YD.PAVER	MD-38387-09	MD-38393-03	193 1/2"	57 3/4"	19 1/2"	61 3/8"	4"	
MD-38394-10	12" YD.PAVER	MD-38387-10	MD-38393-03	207 1/2"	71 3/4"	19 1/2"	61 3/8"	4"	LARGE HATCH DOOR W/INSIDE NUT
MD-38394-11	10 1/2" YD.PAVER	MD-38387-11	MD-38393-01	186 3/4"	51"	19 1/2"	61"	3"	
MD-38394-12	11" YD. BOOSTER PAVER	MD-38387-12	MD-38393-02	193 1/2"	57 3/4"	23 1/8"	63"	4"	
MD-38394-13	9 1/2" YD.PAVER	MD-38387-13	MD-38393-01	173 1/4"	37 1/2"	19 1/2"	61"	3"	
MD-38394-14	11" YD.PAVER	MD-38387-14	MD-38393-03	193 1/2"	57 3/4"	19 1/2"	61 3/8"	4"	
MD-38394-15	12" YD.PAVER	MD-38387-15	MD-38393-03	207 1/2"	71 3/4"	19 1/2"	61 3/8"	4"	
MD-38394-16	13" YD.PAVER	MD-38387-16	MD-38393-03	221 1/2"	85 3/4"	19 1/2"	61 3/8"	4"	
MD-38394-17	13" YD.PAVER	MD-38387-17	MD-38393-03	221 1/2"	85 3/4"	19 1/2"	61 3/8"	4"	



PAVER DRUM ASSEMBLY

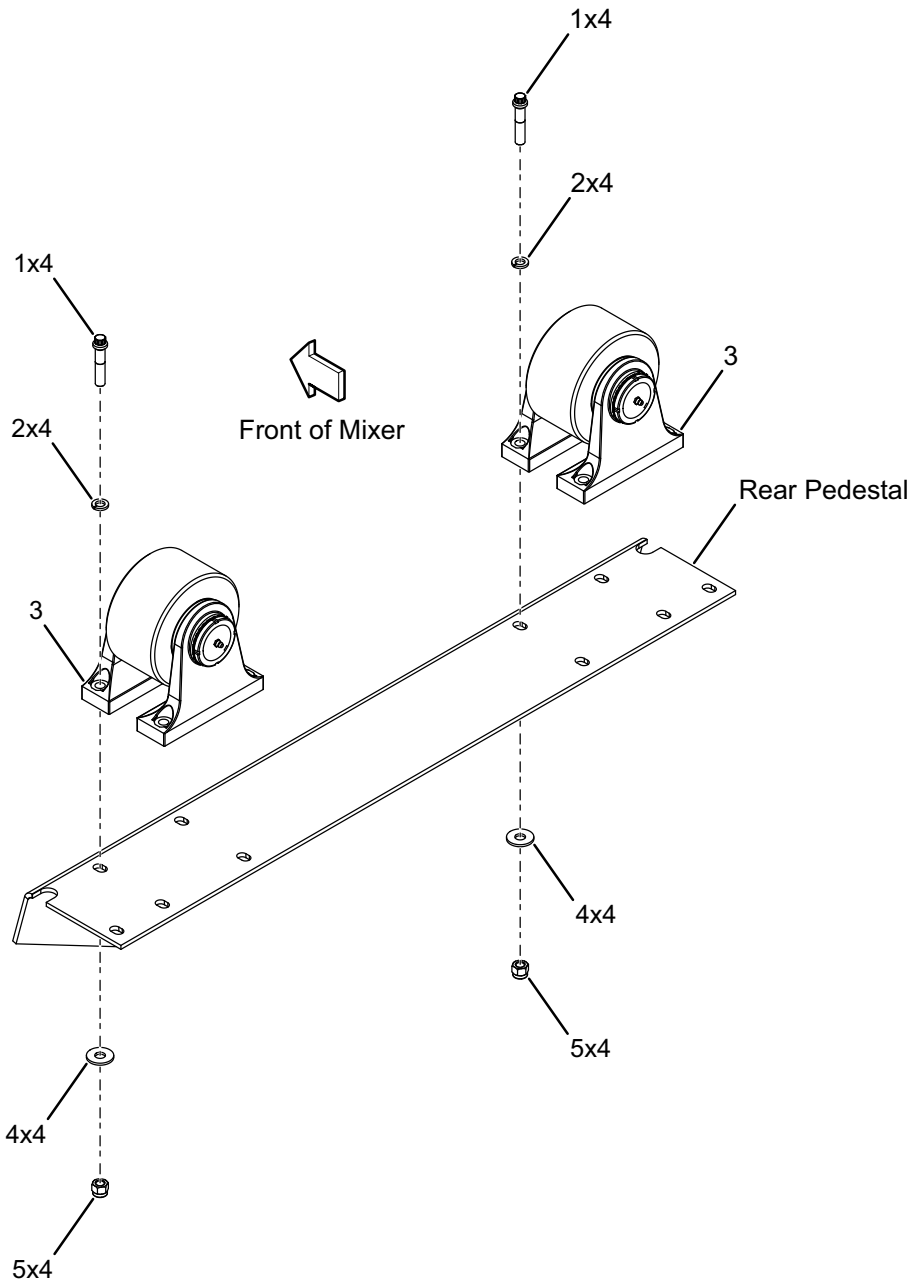
ITEM	PART #	PART DESCRIPTION	UOM	QTY
1	1433891	DRM, 8M, TYP P, FC.25, B.25	EA	1
1	1433892	DRM, 85M, TYP P, FC.18, B.18	EA	1
1	1433893	DRM, 85M, TYP P, FC.18, B.18	EA	1
1	1433894	DRM, 85M, TYP P, FC.18, B.18	EA	1
1	1433895	DRM, 85M, TYP P, FC.18, B.18	EA	1
1	1433896	DRM, 85M, TYP P, FC.25, B.25	EA	1
1	1433897	DRM, 85M, TYP P, FC.25, B.25	EA	1
1	1433898	DRM, 9M, TYP P, FC.18, B.18	EA	1
1	1433900	DRM, 9M, TYP P, FC.18, B.18	EA	1
1	1433901	DRM, 9M, TYP P, FC.18, B.18	EA	1
1	1433902	DRM, 9M, TYP P, FC.18, B.18	EA	1
1	1433903	DRM, 9M, TYP P, FC.25, B.25	EA	1
1	1433909	DRM, 7M, TYP P, FC.18, B.18	EA	1
1	1433910	DRM, 7M, TYP P, FC.18, B.18	EA	1
1	1433911	DRUM, 7M, TYP P, FC.18, B.18	EA	1
1	1433912	DRM, 7M, TYP P, FC.18, B.18	EA	1
1	1433913	DRM, 8M, TYP P, FC.18, B.18	EA	1
1	1433915	DRM, 8M, TYP P, FC.18, B.18	EA	1
1	1433916	DRM, 8M, TYP P, FC.18, B.18	EA	1
1	1433917	DRM, 8M, TYP P, FC.18, B.18	EA	1
1	1433918	DRM, 8M, TYP P, FC.25, B.25	EA	1
1	1452493	DRM, 9M, TYP P, FC.25, B.25	EA	1
1	1452606	DRM, 9M, TYP P, FC.18, B.18	EA	1
1	1453572	DRM, 8M, TYP P, FC.25, B.18	EA	1
1	1514577	DRM, 10M, TYP P, FC.25, B.25	EA	1
1	1521295	DRM, 8M, TYP P, FC.25, B.25	EA	1
1	1526212	DRM, 8M, TYP P, FC.25, B.25	EA	1
1	1607298	31M - DRM, 7M, TYP P, FC.25, B.25	EA	1
1	1615137	31M - DRM, 10M, TYP P, FC.25, B.25	EA	1





DRUM ROLLER INSTL.

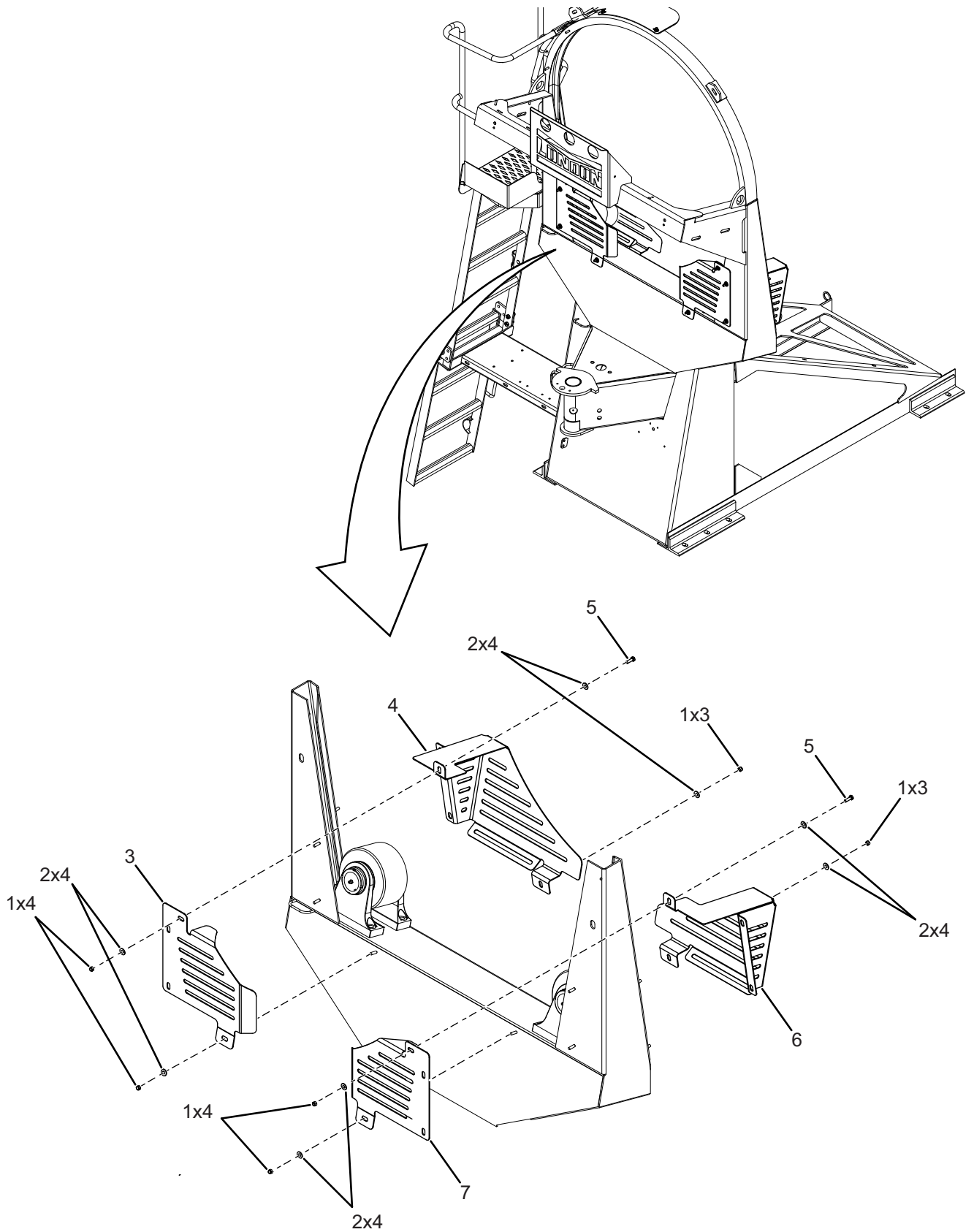
ITEM	PART #	PART DESCRIPTION	UOM	QTY
1	HH-01277-142	12 POINT FLANGE BOLT 5/8 - 11 3 - 3/4"	EA	8
1	HH-01277-139	12 POINT FLANGE HD. BOLT - 5/8	EA	8
2	MD-00457-003	5/8 LOCK WASHER	EA	8
3	MD-32123-00	DRUM ROLLER ASSEMBLY	EA	2
4	MA-36273-01	DRUM ROLLER SHIM - 1.5 DEGREE	EA	2
4	1544060	DRUM ROLLER SHIM - 1 DEGREE	EA	2
4	MA-36273-02	DRUM ROLLER SHIM - 1 DEGREE	EA	2
4	MA-36273-04	DRUM ROLLER SHIM - 1/2 DEGREE	EA	2
5	HH-01229-005	SPHERICAL WASHER - 3/4" NOM.	EA	8
6	HH-00613-002	TENSION WASHER	EA	8
7	2881HX	NUT, HEX.LKNY .62 - 11 GA ZC	EA	8





DRUM ROLLER INSTL.

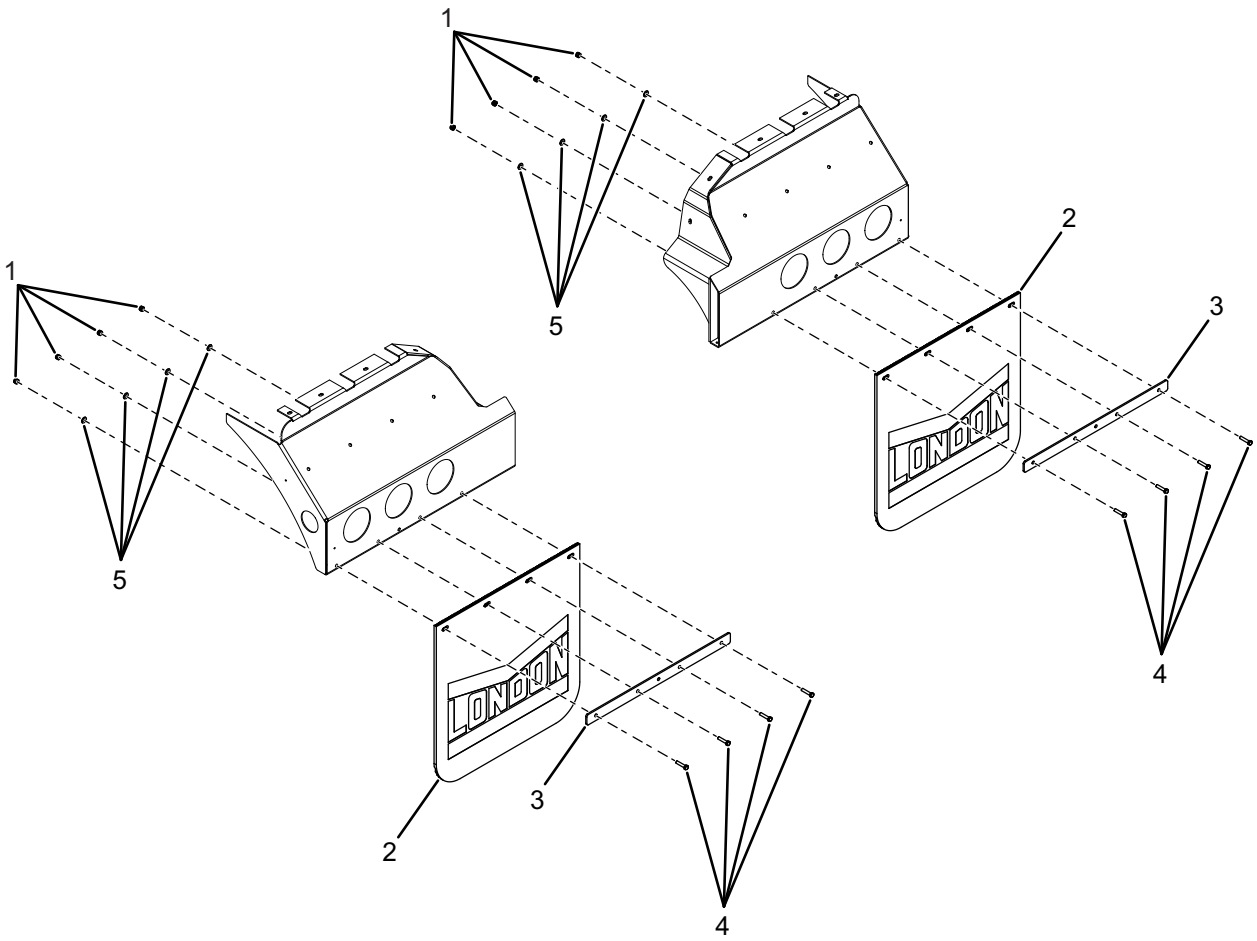
ITEM	PART #	PART DESCRIPTION	UOM	QTY
1	HH-01277-139	12 POINT FLANGE HD. BOLT - 5/8	EA	8
1	HH-01277-142	12 POINT FLANGE BOLT 5/8 - 11 3 - 3/4"	EA	8
2	HH-00457-003	5/8 LOCK WASHER	EA	8
3	MD-32123-00	DRUM ROLLER ASSEMBLY	EA	2
4	HH-00613-002	TENSION WASHER	EA	8
5	2881HX	NUT, HEX.LKNY .62 - 11 GA ZC	EA	8





DRUM ROLL GUARD INST'L.

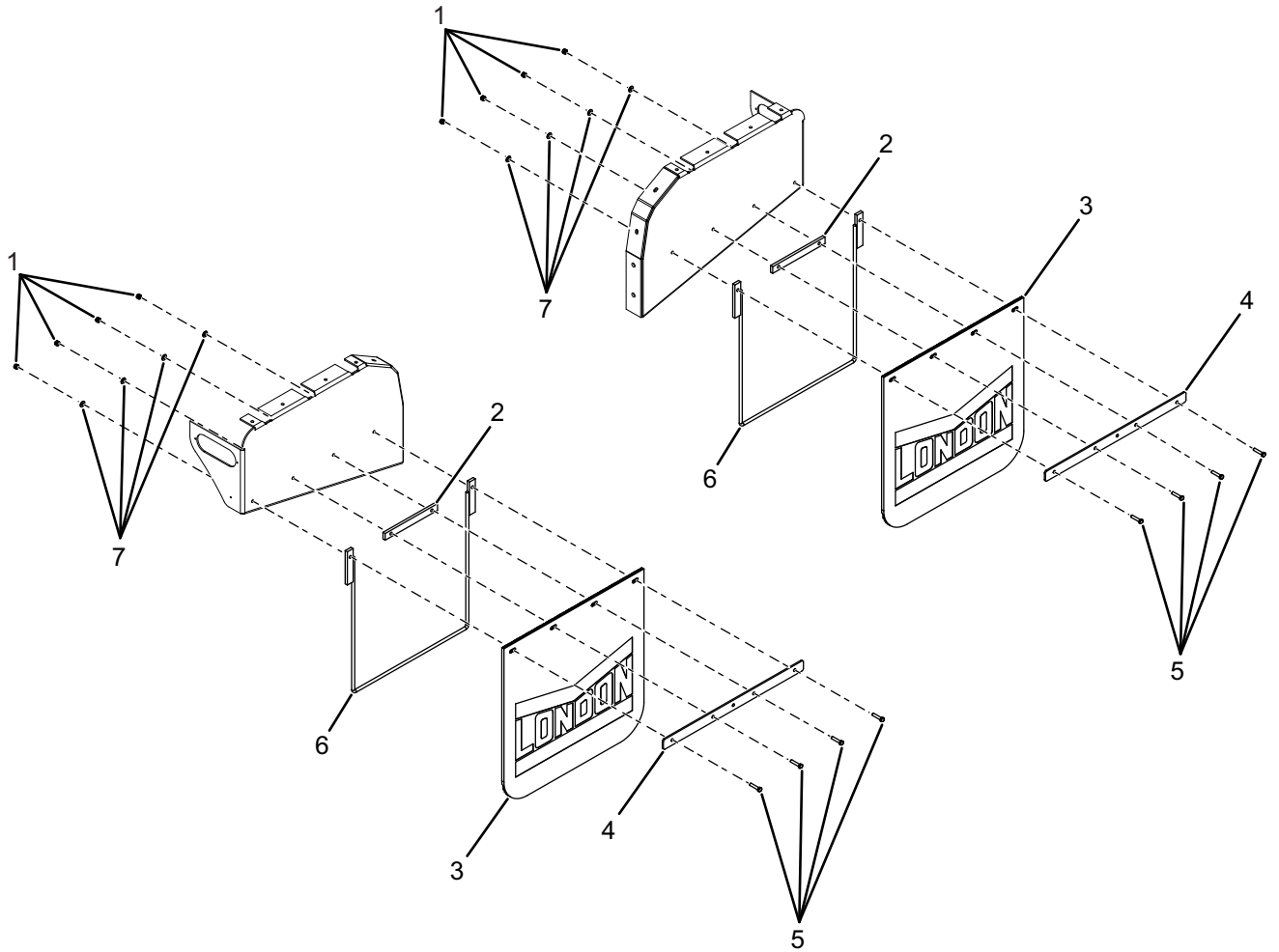
ITEM	PART #	PART DESCRIPTION	UOM	QTY
1	HH-00340-017	5/16 UNC NYLOC NUT	EA	14
2	HH-00341-003	WASH, FLT .31X.88X.06 ZC	EA	16
3	MB-42022-02	GUARD, REAR ROLLER, RH	EA	1
4	MB-42023-02	GUARD, FRONT ROLLER, RH (FOR ALL MIXERS EXCEPT 6M AND 6.5M)	EA	1
4	1552966	GUARD, FRONT ROLLER, RH (FOR 6M AND 6.5M MIXERS)	EA	1
5	HH-00293-028	SCR, CAP, HEX .31 - 18X1.50 G5 ZC	EA	2
6	MB-42023-01	GUARD, FRONT ROLLER, LH (FOR ALL MIXERS EXCEPT 6M AND 6.5M)	EA	1
6	1552965	GUARD, FRONT ROLLER, LH (FOR 6M AND 6.5M MIXERS)	EA	1
7	MB-42022-01	GUARD, REAR ROLLER, LH	EA	1





INSTR, MUDFLAP, 24X24

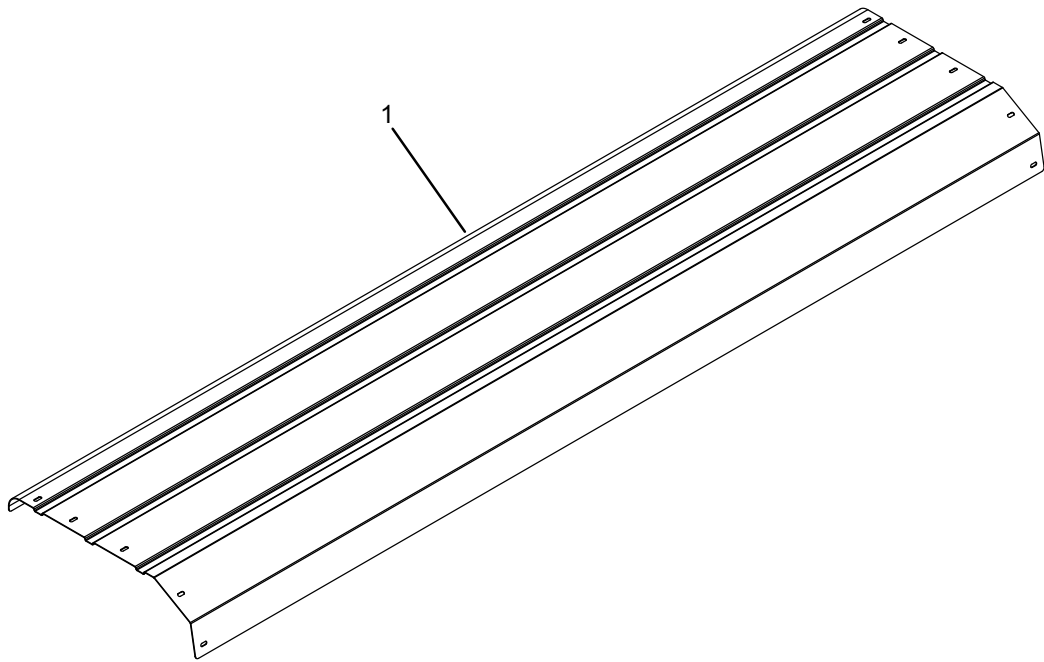
ITEM	PART #	PART DESCRIPTION	UOM	QTY
1	1419270	NUT, HEX, LKNY .31 - 18 18 - 8 SS	EA	8
2	1681840	MUDFLAP, POLY BLK, LMI, 24X24	EA	2
3	1644915	STRIP, MUDFLAP	EA	2
4	2230720	SCR, CAP HEX .31 - 18X1.50 304 SS	EA	8
5	1245968	WASH, FLT .31X.75X.05 18 - 8 SS	EA	8





INSTR, MUDFLAP, 24X30

ITEM	PART #	PART DESCRIPTION	UOM	QTY
1	1419270	NUT, HEX, LKNY .31 - 18 18 - 8 SS	EA	8
2	1547631	SPACER, MUDFLAP	EA	2
3	1681841	MUDFLAP, POLY, BLK, LMI, 24X30	EA	2
4	1644915	STRIP, MUDFLAP	EA	2
5	2230720	SCR, CAP, HEX .31 - 18X1.50 304 SS	EA	8
6	1547627	BRKT, MUDFLAP ANTI - SAIL, WLDT	EA	2
7	1245968	WASH, FLT .31X.75X.05 18 - 8 SS	EA	8

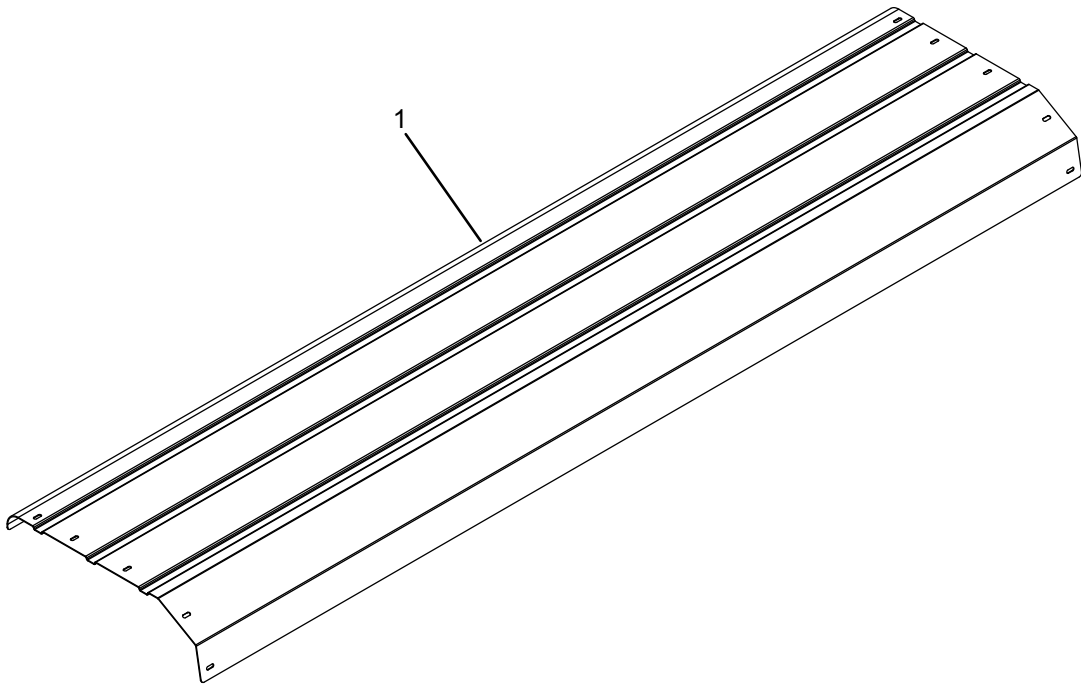


Note: This illustration is shown for 125" Steel Fender only.



FENDER, STEEL

ITEM	PART #	PART DESCRIPTION	UOM	QTY
1	1579279	FENDER, STEEL, 54"	EA	1
1	MA-38965-04	FENDER, STEEL, 98"	EA	1
1	1579280	FENDER, STEEL, 100"	EA	1
1	MA-38965-06	FENDER, STEEL, 102.5"	EA	1
1	1579281	FENDER, STEEL, 105"	EA	1
1	MA-38965-03	FENDER, STEEL, 107"	EA	1
1	MA-38965-02	FENDER, STEEL, 117"	EA	1
1	MA-38965-01	FENDER, STEEL, 125"	EA	1
1	MA-38965-05	FENDER, STEEL, 153"	EA	1
1	MA-38965-07	FENDER, STEEL, 163"	EA	1

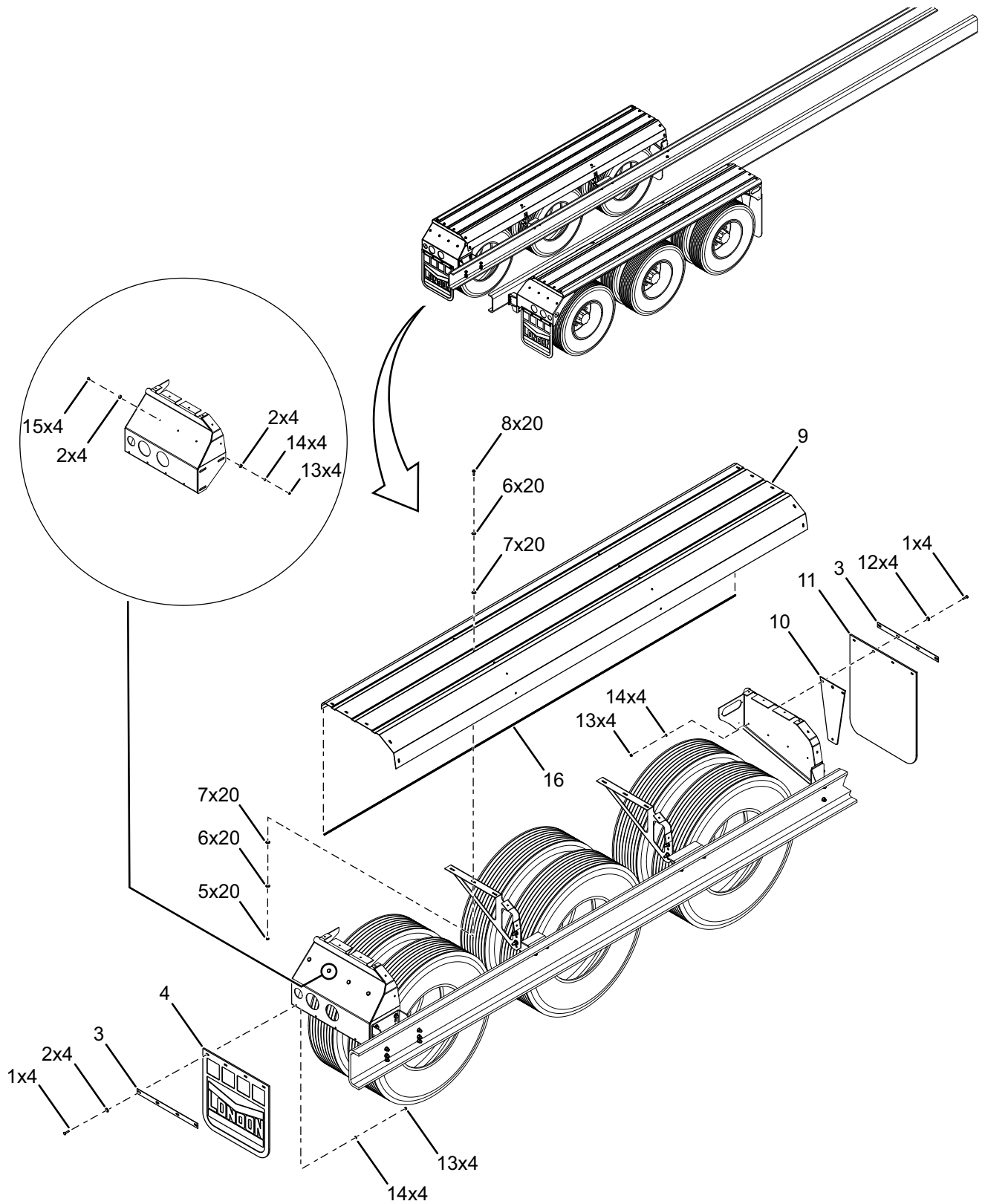


Note: This illustration is shown for 125" Aluminium Fender only.



ALUMINUM FENDER

ITEM	PART #	PART DESCRIPTION	UOM	QTY
1	MA-38967-01	FENDER, ALUM, 125"	EA	1
1	MA-38967-02	FENDER, ALUM, 117"	EA	1
1	MA-38967-03	FENDER, ALUM, 107"	EA	1
1	MA-38967-04	FENDER, ALUM, 98"	EA	1
1	MA-38967-05	FENDER, ALUM, 153"	EA	1
1	MA-38967-06	FENDER, ALUM, 102.5"	EA	1
1	MA-38967-07	FENDER, ALUM, 163"	EA	1



Note : This illustration is shown for LH side only.



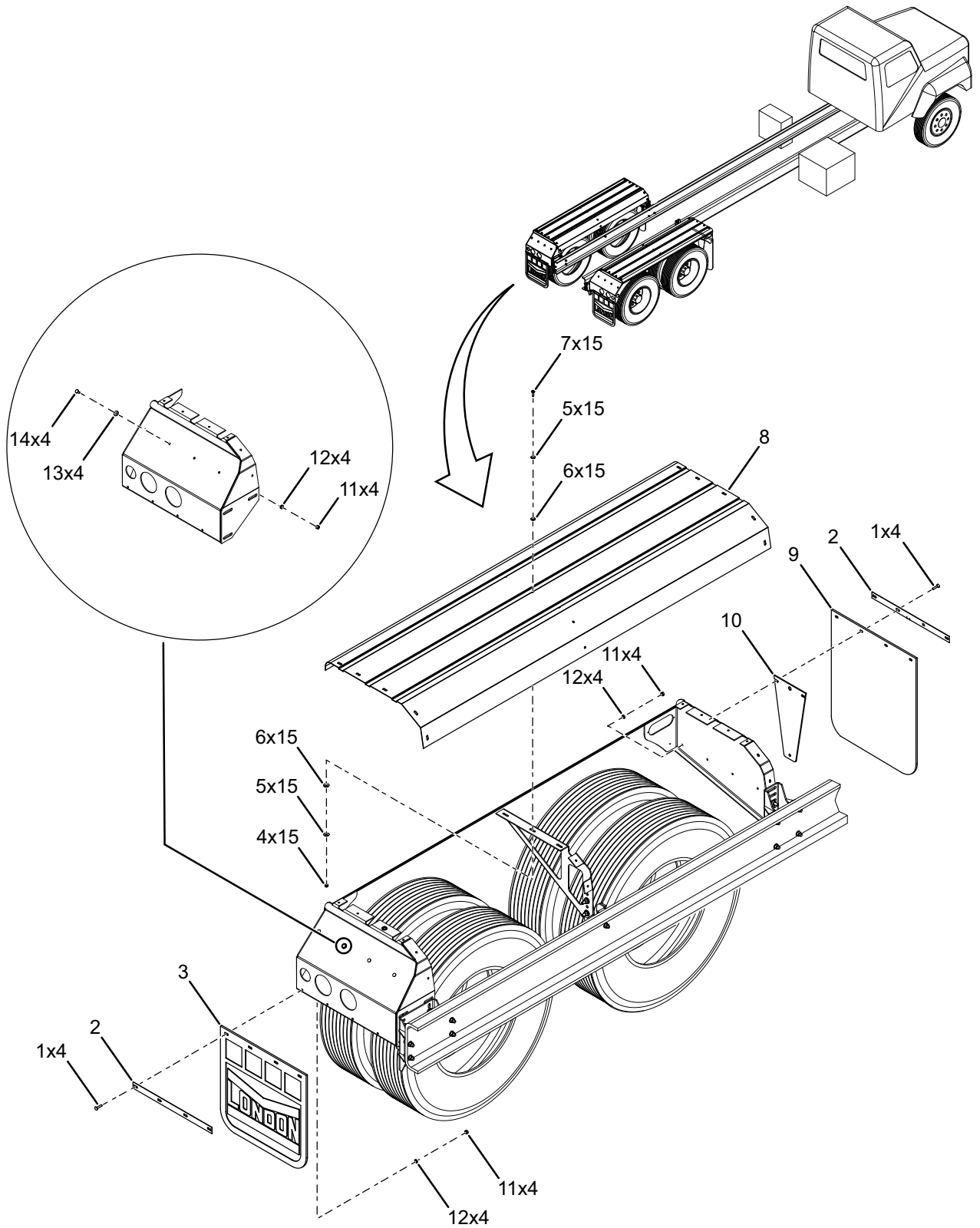
TRIDEM FENDER INSTALLATION

ITEM	PART #	PART DESCRIPTION	UOM	QTY
1	HH-00971-045	5/16 - UNC x 1.1/2 CARR. BOLT GR.5	EA	16
2	1255203	WASH, FLT .31X1.00X.07 ZC	EA	24
3	MA-10150	MUDFLAP STRIP	EA	4
4	ME-29689	REAR MUDFLAP, LONDON 24 X 24	EA	2
5	HH-00340-017	5/16 UNC NYLOC NUT	EA	40
6	HH-00271-010	5/16 SS WASHER	EA	80
7	HH-01112-002	RUBBER WASHER	EA	80
8	HH-00591-002	5/16 UNC SSTRUSS SCRW x 1.1/4"	EA	40
9	MA-38965-05	FENDER, STEEL, 153"	EA	2
9	MA-38967-05	FENDER, ALUMINIUM, 153"	EA	2
10	MB-35636	MUDFLAP BRACKET	EA	2
11	ME-10144	FRONT MUDFLAP, RUBBER BLACK 24	EA	2
12	HH-01069-003	1/2" BELLEVILLE WASHER	EA	36
13	HH-00294-002	5/16 UNC HEX NUT	EA	24
14	HH-00457-007	LOCK WASHER 5/16" NOM	EA	24
15	HH-00971-043	5/16 - UNC x 1 CARR. BOLT GR.5	EA	8
16	MA-41153	SLOT EDGE TRIM	EA	2
17	0120201	NUT, FLG, LKDT .50 - 13 GG CW	EA	14
18	MB-39090	LAMP GUARD. TAIL LAMPS	EA	2
19	MB-38973	FENDER CENTER SUPPORT	EA	4
20	1140220	SCR, CAP, HEX .50 - 20X2.00 G8 ZY	EA	24
21	HH-00613-004	1/2 HARDEN WASHER	EA	48
22	MB-42385	CENTRE FEND. ADP. LIST	EA	4
23	HH-01187-010	1/2 UNC x 2" LG. GR.5	EA	14
24	1243784	SCR, FLG, HEX .62 - 11X2.25 G8 ZY	EA	4
25	0100565	WASH, FLT .62X1.31X.12 ZY HDN	EA	8
26	MC-38969-01	FRONT FENDER SUPPORT RH	EA	1
26	MC-38969-02	FRONT FENDER SUPPORT LH	EA	1
27	MB-42379	FRONT FENDER ADAPTOR WELD'T	EA	2
28	HH-00540-002	5/8 UNF NYL NUT	EA	4
29	HH-00540-004	1/2 - 20 UNF NYLOCK NUT	EA	24
30	MC-41480-10	REAR FENDER ADAP - NARROW FRAME	EA	1



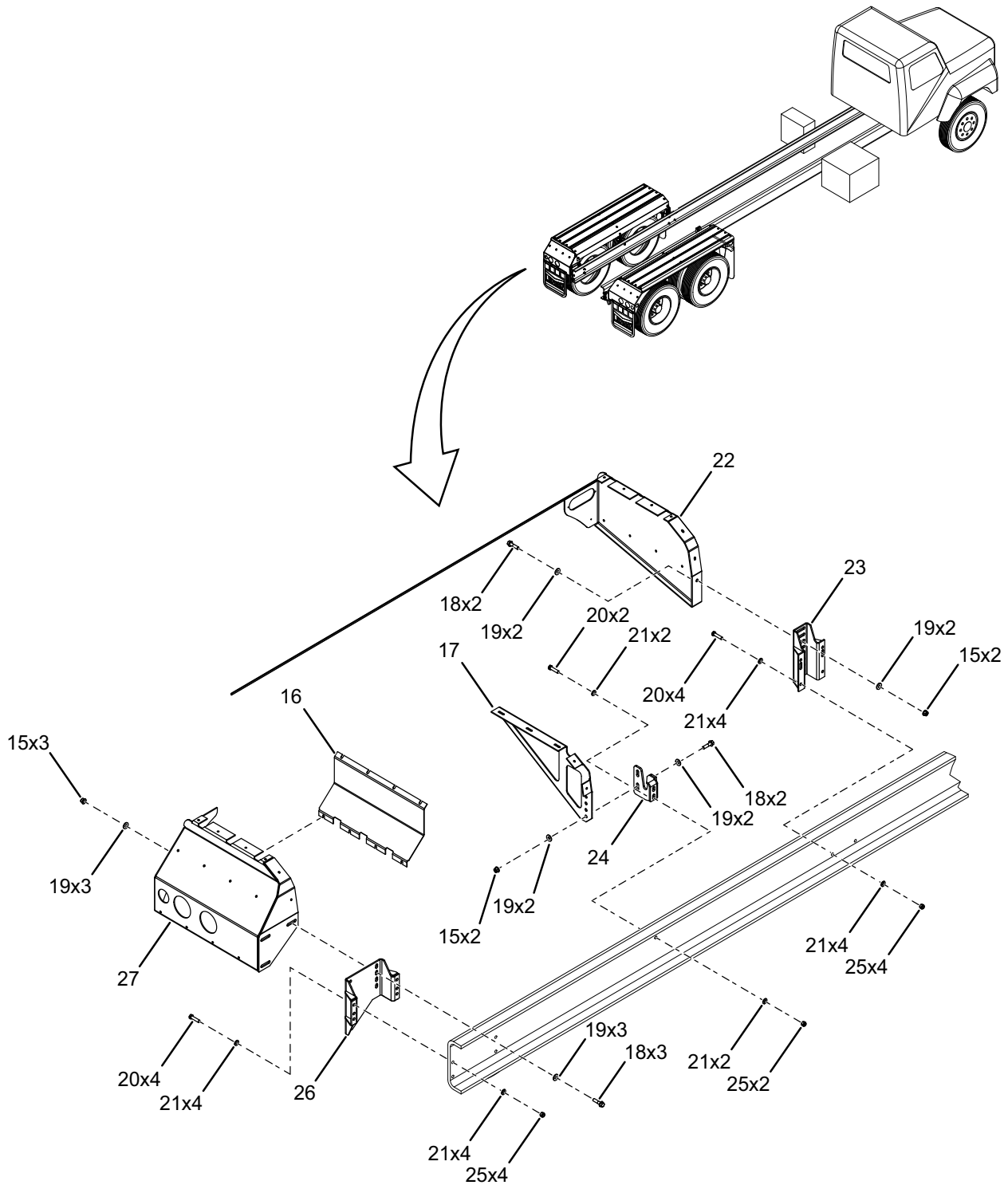
TRIDEM FENDER INSTALLATION

ITEM	PART #	PART DESCRIPTION	UOM	QTY
30	MC-41480-20	REAR FENDER ADAP - NARROW FRAME LH	EA	1
31	MC_38972-01	REAR FENDER SUPPORT - DUAL - RH, STEEL/ ALUMINIUM	EA	1
31	MC_38972-02	REAR FENDER SUPPORT - DUAL - LH, STEEL/ ALUMINIUM	EA	1



Note : This illustration is shown for LH side only.

FENDER INSTALLATION



Note : This illustration is shown for LH side only.



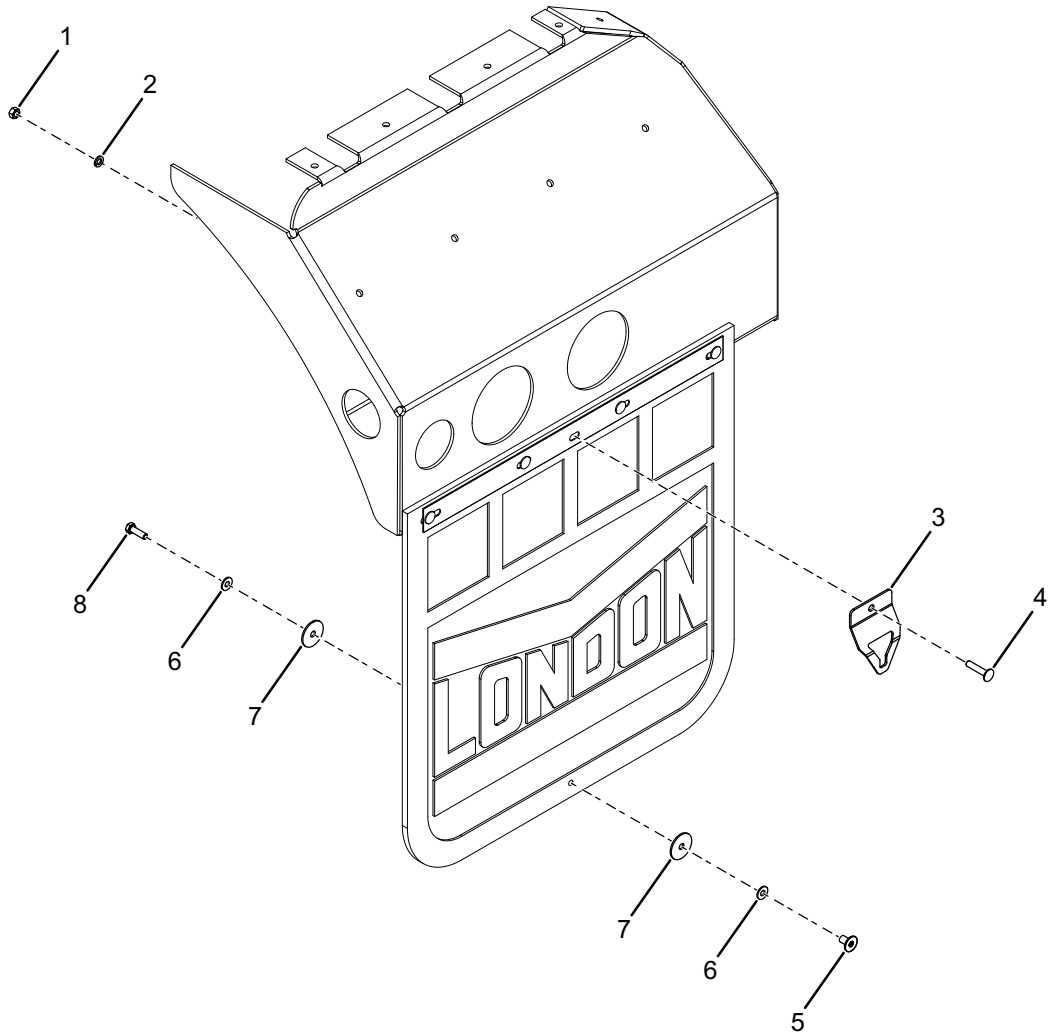
FENDER INSTALLATION

ITEM	PART #	PART DESCRIPTION	UOM	QTY
1	HH-00971-045	5/16 - UNC x 1.1/2 CARR. BOLT GR.5	EA	16
2	MA-10150	MUDFLAP STRIP	EA	4
3	ME-29689	REAR MUD FLAP, LONDON 24 X 24	EA	2
4	HH-00340-017	5/16 UNC NYLOC NUT	EA	30
5	HH-00271-010	5/16 SS WASHER	EA	60
6	HH-01112-002	RUBBER WASHER	EA	60
7	HH-00591-002	5/16 UNC SSTRUSS SCRW x 1.1/4"	EA	30
8	MA-38965-02	FENDER, STEEL, 98"	EA	2
8	MA-38965-03	FENDER, STEEL, 98"	EA	2
8	MA-38965-04	FENDER, STEEL, 98"	EA	2
8	MA-38967-02	FENDER, ALUMINIUM, 98"	EA	2
8	MA-38967-03	FENDER, ALUMINIUM, 98"	EA	2
8	MA-38967-04	FENDER, ALUMINIUM, 98"	EA	2
9	ME-10144	FRONT MUDFLAP, RUBBER BLACK 24 X 30	EA	2
10	MB-35636	MUD FLAP BRACKET	EA	2
11	HH-00294-002	5/16 UNC HEX NUT	EA	24
12	HH-00457-007	LOCK WASHER 5/16" NOM	EA	24
13	1255203	WASH, FLT .31X1.00X.07 ZC	EA	8
14	HH-00971-043	5/16 - UNC x 1 CARR. BO LT GR .5	EA	8
15	0120201	NUT, FLG, LKD T .50 - 13 GG CW	EA	14
16	MB-37853	REAR LAMP GUARD	EA	2
17	MB-38973	FENDER CENTER SUPPORT	EA	2
18	HH-01187-010	1/2 UNC x 2" LG. GR.5	EA	14
19	HH-01069-003	1/2" BELLEVILLE WASHER	EA	28
20	1140220	SCR, CAP, HEX .50 - 20X2.00 G8 ZY	EA	20
21	HH-00613-004	1/2 HARDEN WASHER	EA	40
22	MC -38969-01	FRONT FENDER SUPPORT RH	EA	1
22	MC -38969-02	FRONT FENDER SUPPORT LH	EA	1
23	MB-38183	BRACKET ADAPTOR - FRONT FENDER	EA	2
24	MB-38970	CENTER ADAPTER	EA	2
25	HH-00540-004	1/2 - 20 UNF NYLOCK NUT	EA	20
26	MC-38184-01	RH REAR FENDER BRACKET ADAPTOR	EA	1
27	MC-38972-01	REAR FENDER SUPPORT - DUAL - RH	EA	1



FENDER INSTALLATION

ITEM	PART #	PART DESCRIPTION	UOM	QTY
27	MC-38972-02	REAR FENDER SUPPORT - DUAL - LH	EA	1

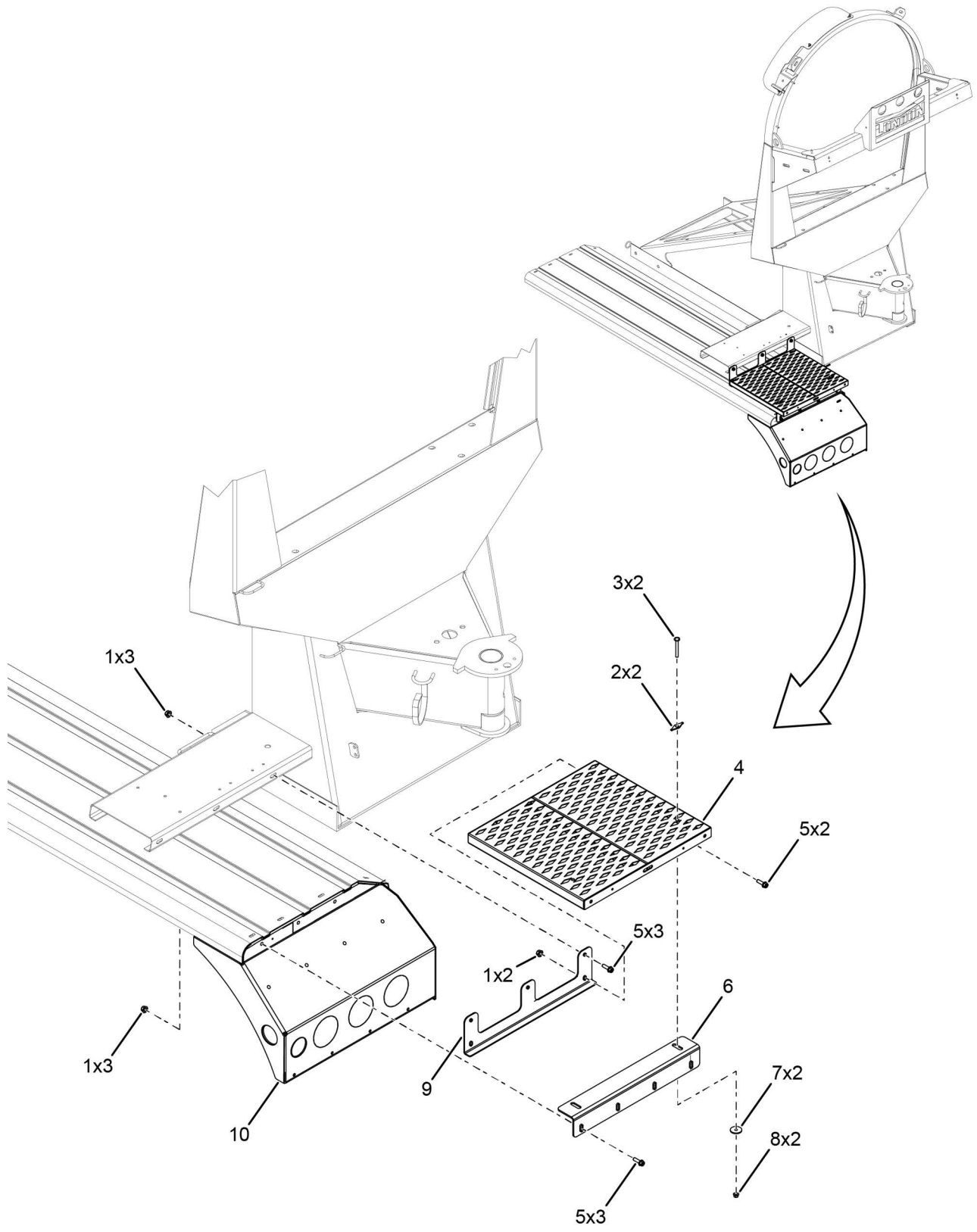




INSTR MUDFLAP HANGER

ITEM	PART #	PART DESCRIPTION	UOM	QTY
1	HH-00294-002	5/16 UNC HEX NUT	EA	1
2	HH-00457-007	LOCK WASHER 5/16" NOM	EA	1
3	MB-38808	MUDFLAP HANGER BRACKET	EA	1
4	HH-00971-045	5/16 - UNC x 1. 1/2 CARR. BOLT GR.5	EA	1
5	HH-01122-001	TEE NUT	EA	1
6	HH-00341-002	1/4 FLAT WASHER	EA	2
7	HH-00750-011	5/16 X 1 1/2 FENDER WASHER	EA	2
8	HH-00293-028	SCR, CAP, HEX .31 - 18X1.50 G5 ZC	EA	1

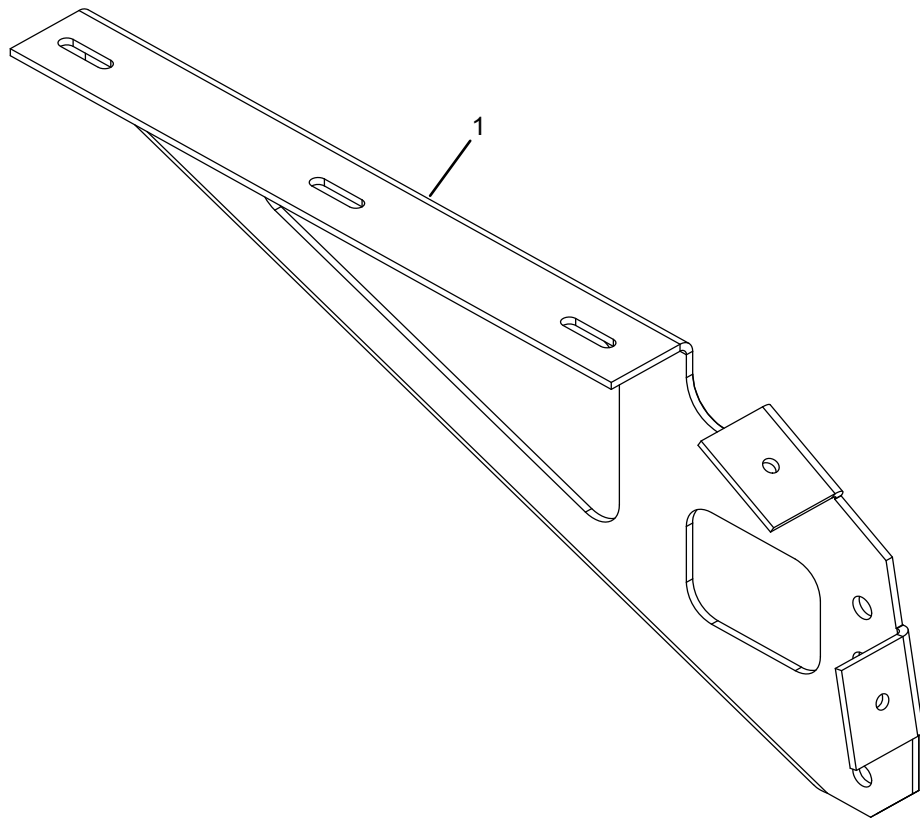
REAR FENDER PLATFORM INSTALL





REAR FENDER PLATFORM INSTALL

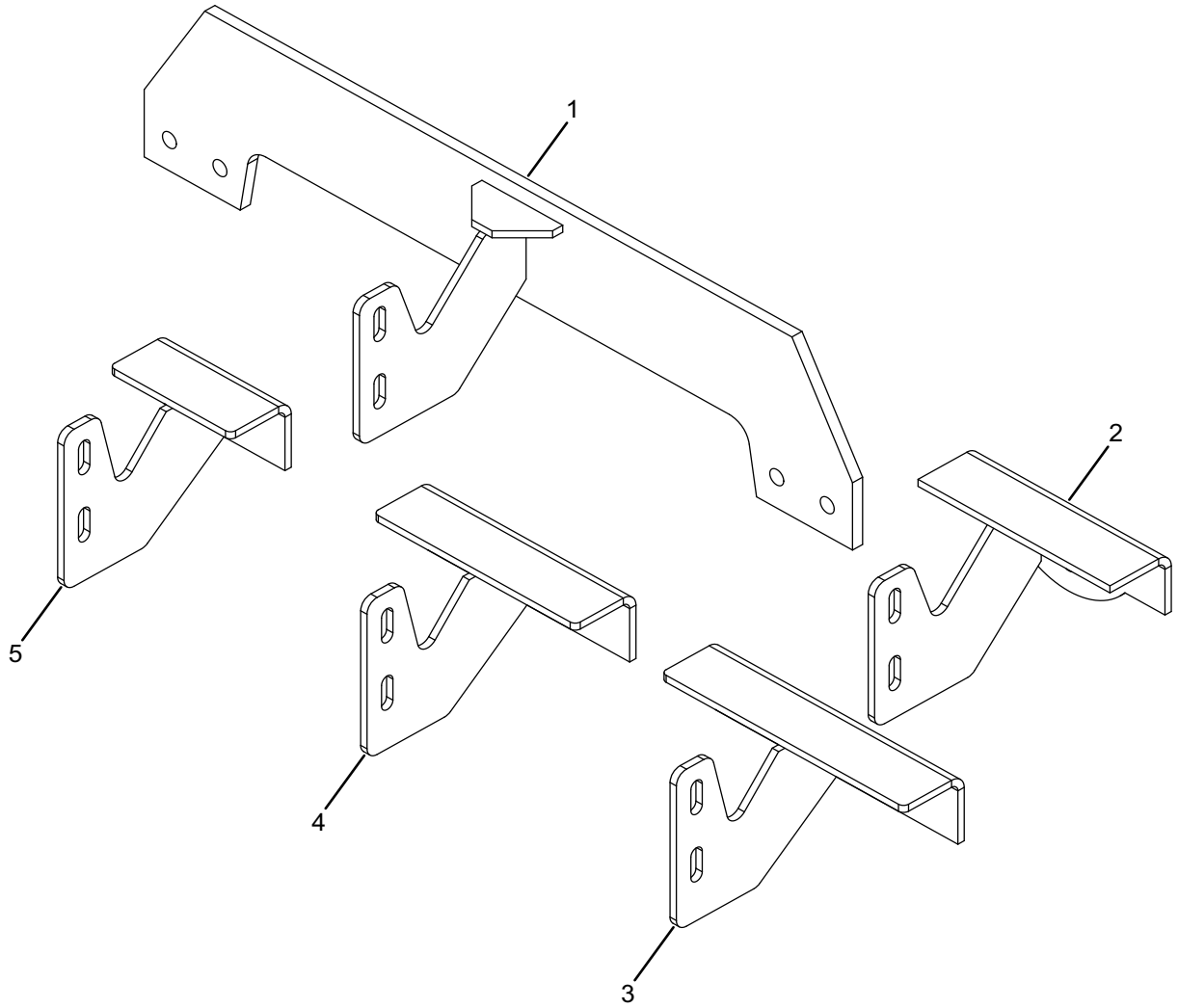
ITEM	PART #	PART DESCRIPTION	UOM	QTY
1	HH-01188-001	NUT, FLG, LKDT .3750 - 16 GG CW	EA	8
2	HH-00901-001	DIAMOND GRIP WASHER	EA	2
3	HH-00971-049	5/16 - 18 CARR. BOLT 2.5 LONG	EA	2
4	1567869	FENDER STEP PLATFORM WELDMENT	EA	1
4	1567869-01	REAR PLATFORM WELDMENT - 21.25 IN	EA	1
4	1567869-02	REAR PLATFORM WELDMENT - 33.25 IN	EA	1
4	1567869-03	REAR PLATFORM WELDMENT - 33.25 IN	EA	1
4	1567869-04	REAR PLATFORM WELDMENT - 16.88 IN	EA	1
4	1567869-05	REAR PLATFORM WELDMENT - 14.5 IN	EA	1
4	1567869-17	REAR PLATFORM WELDMENT - 17 IN	EA	1
4	1567869-24	REAR PLATFORM WELDMENT - 24 IN	EA	1
4	1567869-32	REAR PLATFORM WELDMENT - 32 IN	EA	1
4	1567869-36	REAR PLATFORM WELDMENT - 36 IN	EA	1
4	1567869-42	REAR PLATFORM WELDMENT - 42 IN	EA	1
4	1567869-48	REAR PLATFORM WELDMENT - 48 IN	EA	1
5	1243637	SCR, FLG, HEX .38 - 16X1.25 G8 ZY	EA	8
6	MB-40971	FENDER BRACKET	EA	1
6	MB-40971-01	FENDER STEP BRACKET 3" X 3" X	EA	1
6	MB-40971-02	FENDER STEP BRACKET 3" X 4" X	EA	1
6	MB-40971-03	FENDER STEP BRACKET 3" X 5" X	EA	1
6	MB-40971-04	FENDER STEP BRACKET 3" X 6" X	EA	1
6	MB-40971-05	FENDER STEP BRACKET 3" X 7" X	EA	1
7	HH-00067-068	5/16" SPECIAL FLAT WASHER	EA	2
8	HH-01188-004	NUT, FLG, LKDT .31 - 18 GG CW	EA	2
9	1569565	FRONT PLATFORM SUPPORT	EA	1
9	1569565-01	FENDER PLATFORM FR SUPPORT - 3.5 IN	EA	1
9	1569565-02	FENDER PLATFORM FR SUPPORT - 4.5 IN	EA	1
9	1569565-03	FENDER PLATFORM FR SUPPORT - 5.5 IN	EA	1
9	1569565-04	FENDER PLATFORM FR SUPPORT - 6.5 IN	EA	1
9	1569565-05	FENDER PLATFORM FR SUPPORT - 7.5 IN	EA	1
9	1569565-06	FENDER PLATFORM FR SUPPORT - 8.5 IN	EA	1
10	MC-39037-03	REAR FENDER LH SUPPORT ASS'Y - SLOTS	EA	1





T - RIDE CENTER FENDER SUPPORT

ITEM	PART #	PART DESCRIPTION	UOM	QTY
1	MB-40965	T - RIDE CENTER FENDER SUPPORT	EA	1

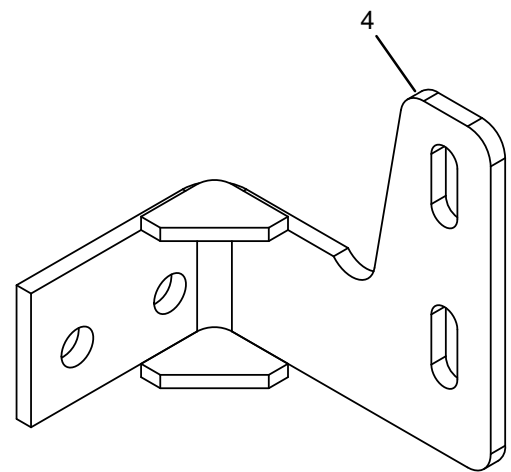
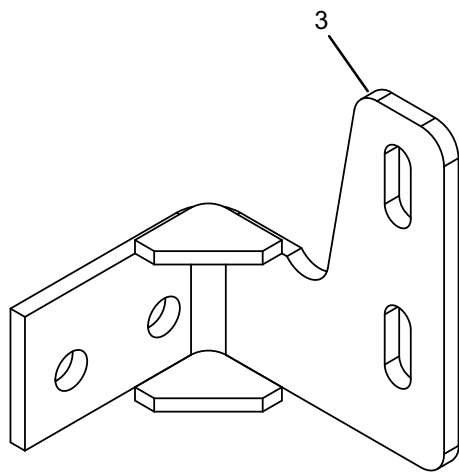
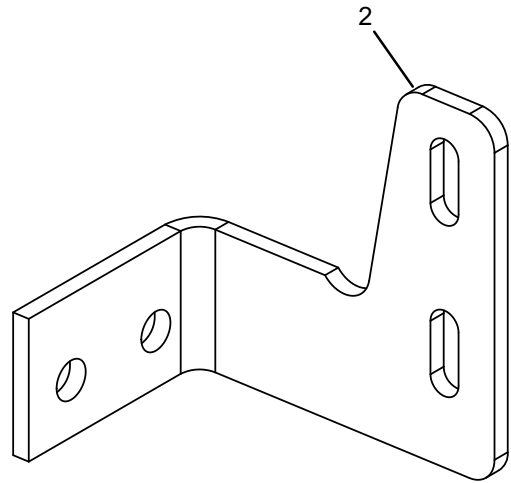
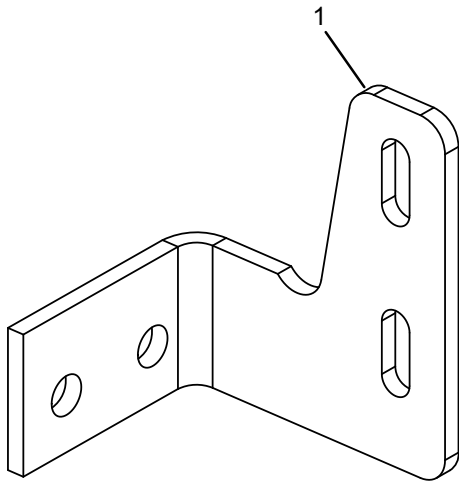




CENTRE FEND. ADP. LIST

ITEM	PART #	PART DESCRIPTION	UOM	QTY
1	MB-42384	CENTER ADAPTER BRACKET – TRIDEM (FOR SWAY BRACE TIE DOWN APPLICATION)	EA	1
2	MB-42245	CENT. FEND. ADAPT. – NEWAY AXLE (FOR NEWAY SUSPENSION)	EA	1
3	1491843	CENTRE FENDER ADAPTER 12" (FOR EXTRA WIDE BOLT PATTERN)	EA	1
4	MB-41591	CENTRE FENDER ADAPTER 10" – SCANIA (FOR WIDE BOLT PATTERN)	EA	1
5	MB-41783	CENTRE FENDER ADAPTER 6" – TRIDEM (FOR NARROW BOLT PATTERN)	EA	1

T - RIDE CENTER ADAPTER BRACKET

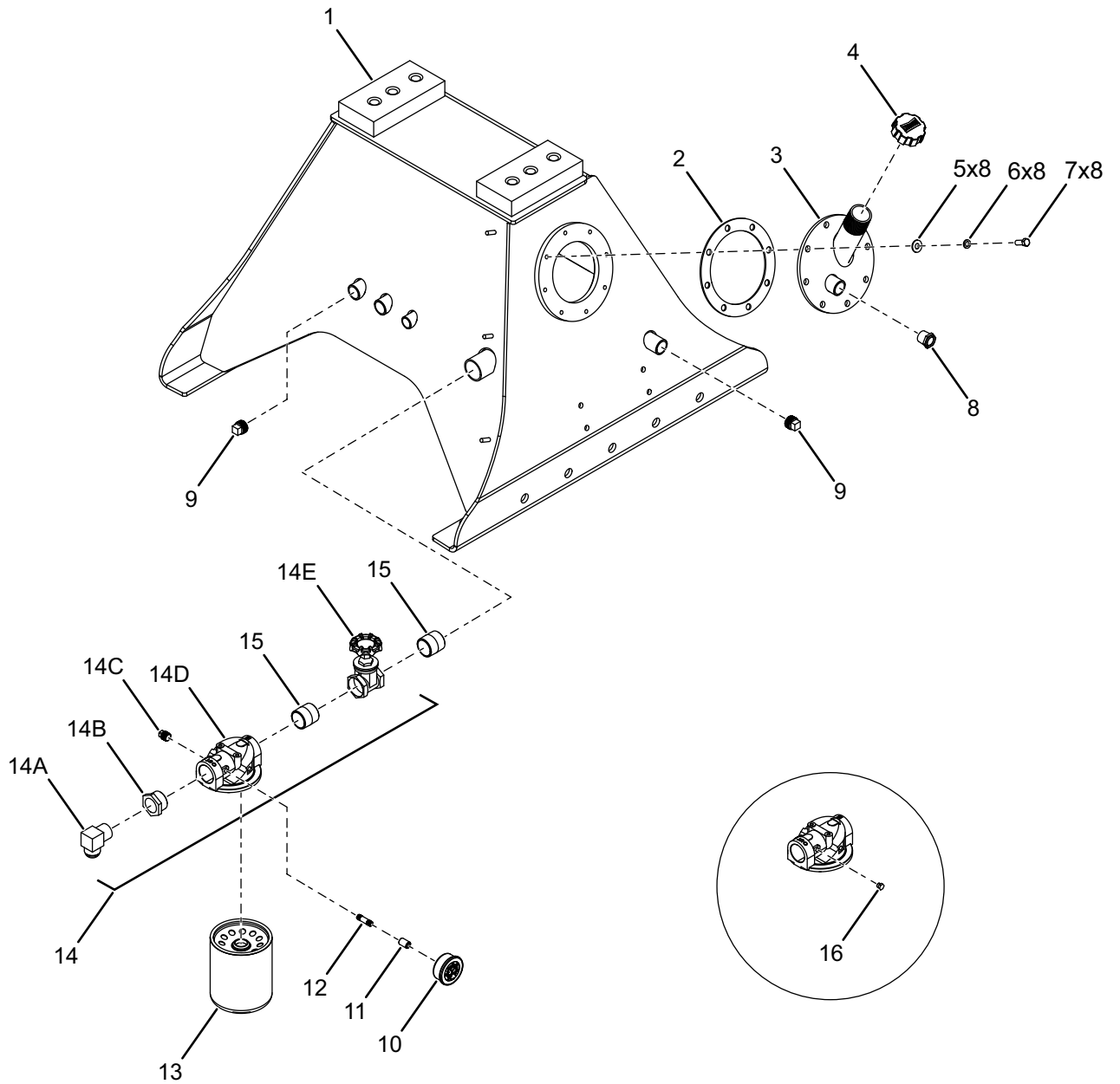




T - RIDE CENTER ADAPTER BRACKET

ITEM	PART #	PART DESCRIPTION	UOM	QTY
1	MB-40964-01	T - RIDE CTR ADAPT - FLAT	EA	1
2	MB-40964-02	T - RIDE CTR ADAPT - FLAT	EA	1
3	MB-40964-10	T - RIDE CENTR ADPTR BRKT - OLD ST	EA	1
4	MB-40964-20	T - RIDE CENTER ADAPTR BRKT - NEW	EA	1

FRONT PEDESTAL ASS'Y - (ZF)

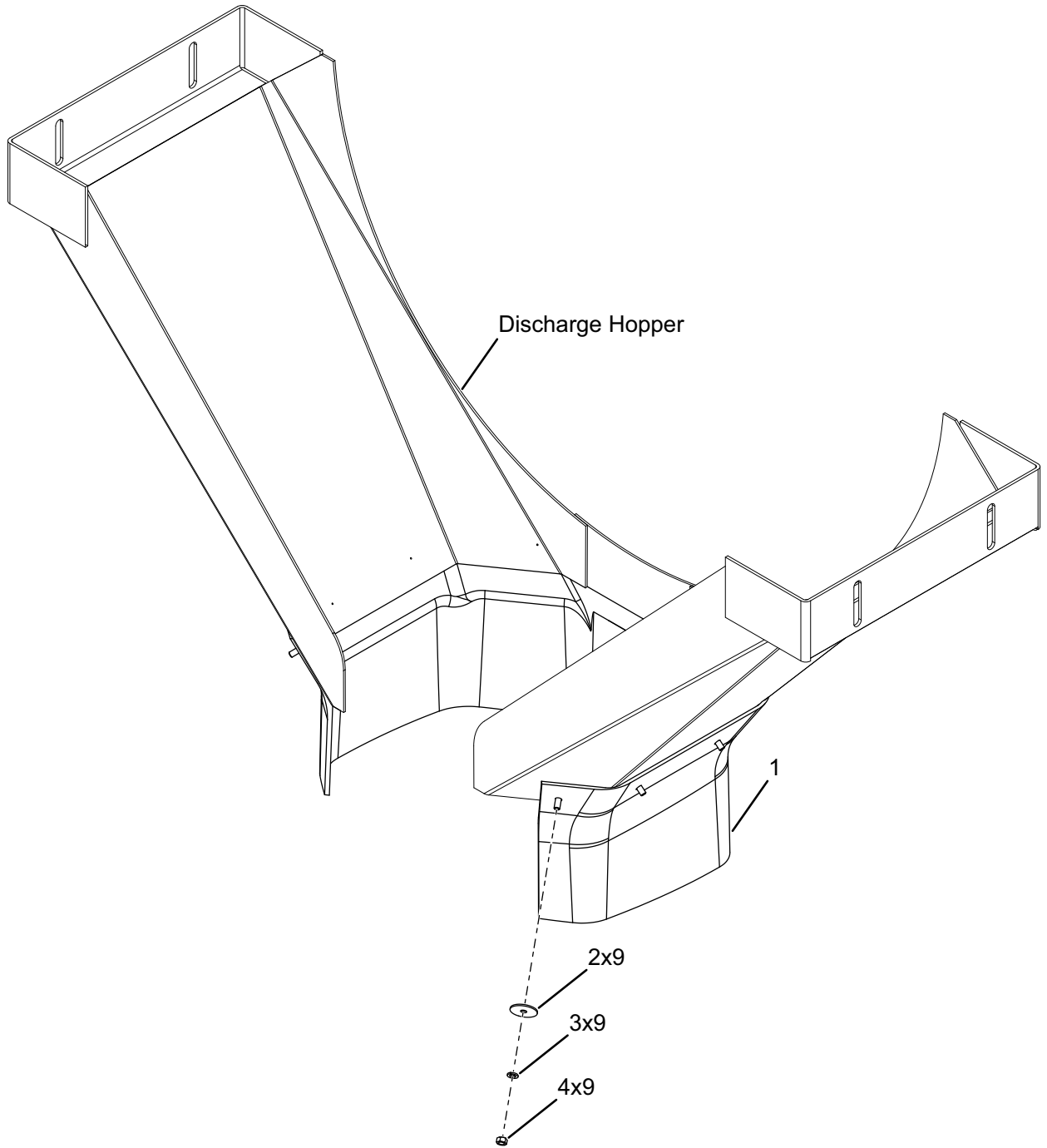


Install callout 16 in gauge port for paint operation.
 To be removed at first assembly and returned to subassembly.
 Callout 15 shown at two places.



FRONT PEDESTAL ASS'Y - (ZF)

ITEM	PART #	PART DESCRIPTION	UOM	QTY
1	MD-36307-00	ZF FRONT PED, 15 DEGREE DRUM ANGLE	EA	1
1	MD-36307-02	ZF FRONT PED, 14 DEGREE DRUM ANGLE	EA	1
1	MD-36307-03	ZF FRONT PED, 13 DEGREE DRUM ANGLE	EA	1
1	MD-36307-04	ZF FRONT PED, 12 DEGREE DRUM ANGLE	EA	1
2	MA-32763	GASKET - COVER PLATE	EA	1
3	MB-32764	COVER PLATE - FRONT PEDESTAL	EA	1
4	MB-42163	HYDRAULIC CAP ASSEMBLY	EA	1
5	HH-00341-004	3/8" FLAT WASHER	EA	8
6	HH-00457-004	3/8 LOCK WASHER	EA	8
7	HH-00293-049	3/8 UNC BOLT X 1 IN LG GR. 5	EA	8
8	HH-00394-001	OIL LEVEL GUAGE	EA	1
9	HH-00038-005	FTG, PLUG 12 NPT M IR EXSQ	EA	2
10	0000422	GAUGE, FILTER VACUUM	EA	1
11	HH-00049-001	FTG, CPLG, 1/8" NPT, SCH 40, BLK	EA	1
12	1245779	FTG, NIP 1/8" NPTX1.50, SCH40, BLK	EA	1
13	0000436	ELEMENT, FILTER, SPIN ON, SE - 10	EA	1
14	1592456	FILTER ASSY, HYD, LMI	EA	1
14A	HH-00784-006	MALE 90 - JIC - NPT	EA	1
14B	HH-00088-016	1 1/4 - 1 NPT REDUCER BUSHING	EA	1
14C	HH-00038-062	FTG, PLUG 04NPT M IR EXSQ	EA	1
14D	1102748	HEAD, FILTER, OIL, .25 NPT	EA	1
14E	HH-00844-006	1 1/4 NPT GATE VALVE	EA	1
15	HH-00051-007	1 1/4 NPT CLOSE NIPPLE	EA	1
16	HH-00853-001	FTG, PLUG 2NPT EXHEX	EA	1

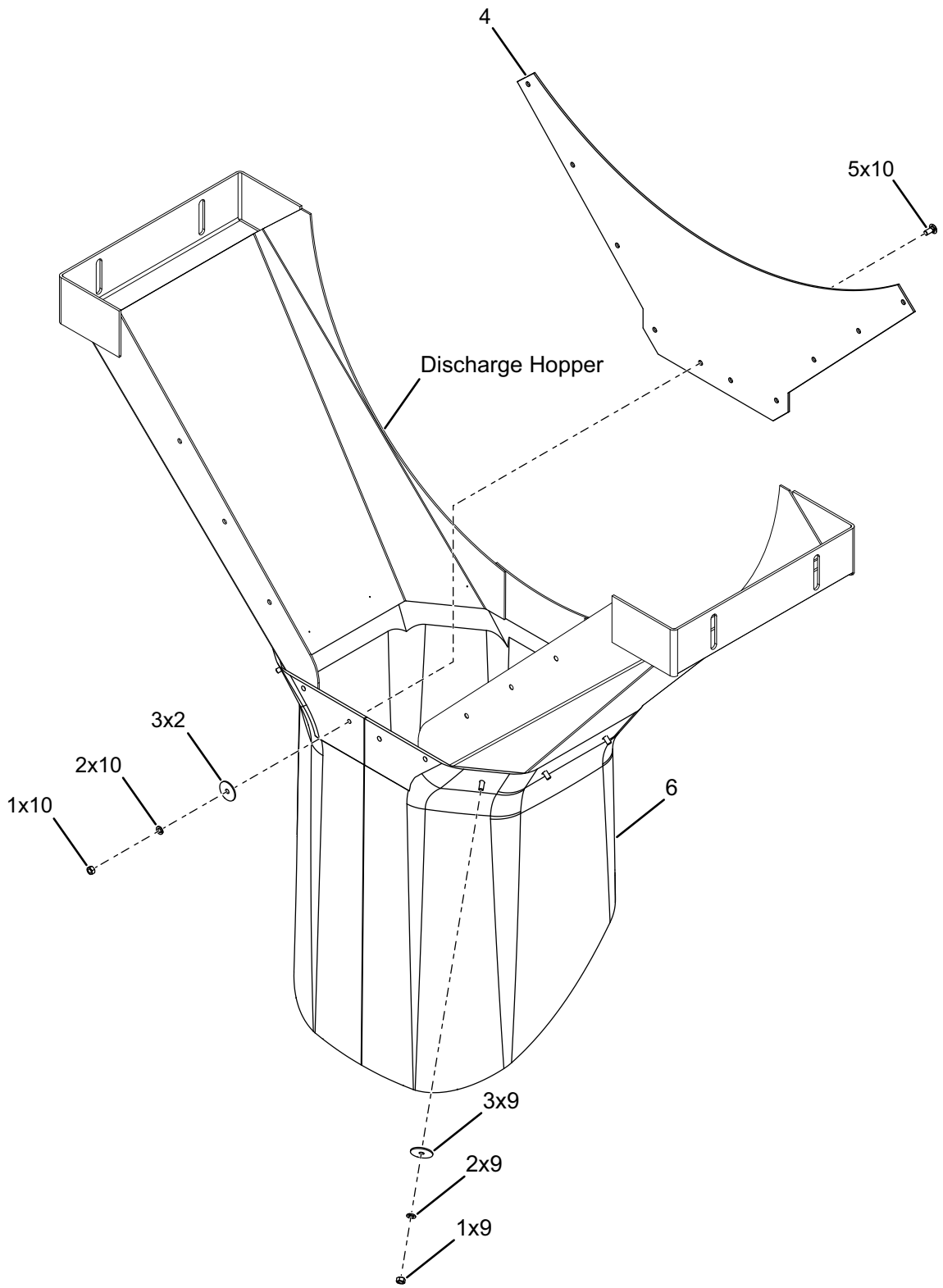




DISCHARGE HOPPER RUBBER-STD

ITEM	PART #	PART DESCRIPTION	UOM	QTY
1	MB-38566	BOOSTER DISCH/HOPPER RUBBER	EA	1
1	MB-29376	ACTION/TRAILOR DISCH/HOPPER RUBBER	EA	1
2	HH-00750-011	5/16 X 1 1/2 FENDER WASHER	EA	9
3	HH-00457-007	LOCK WASHER 5/16" NOM	EA	9
4	HH-00294-002	5/16 UNC HEX NUT	EA	9

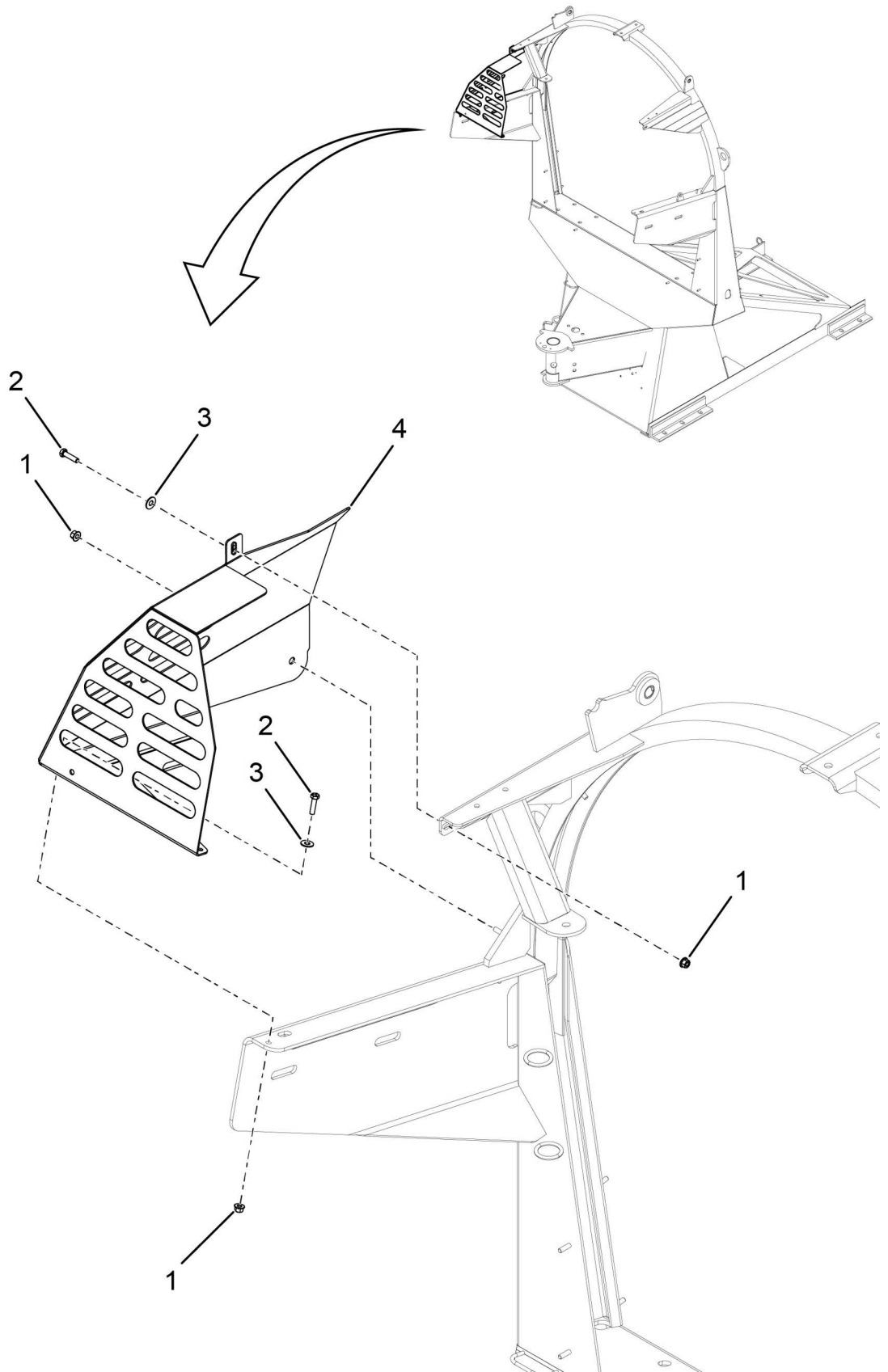
DISCHARGE HOPPER RUBBER WRAP





DISCHARGE HOPPER RUBBER WRAP

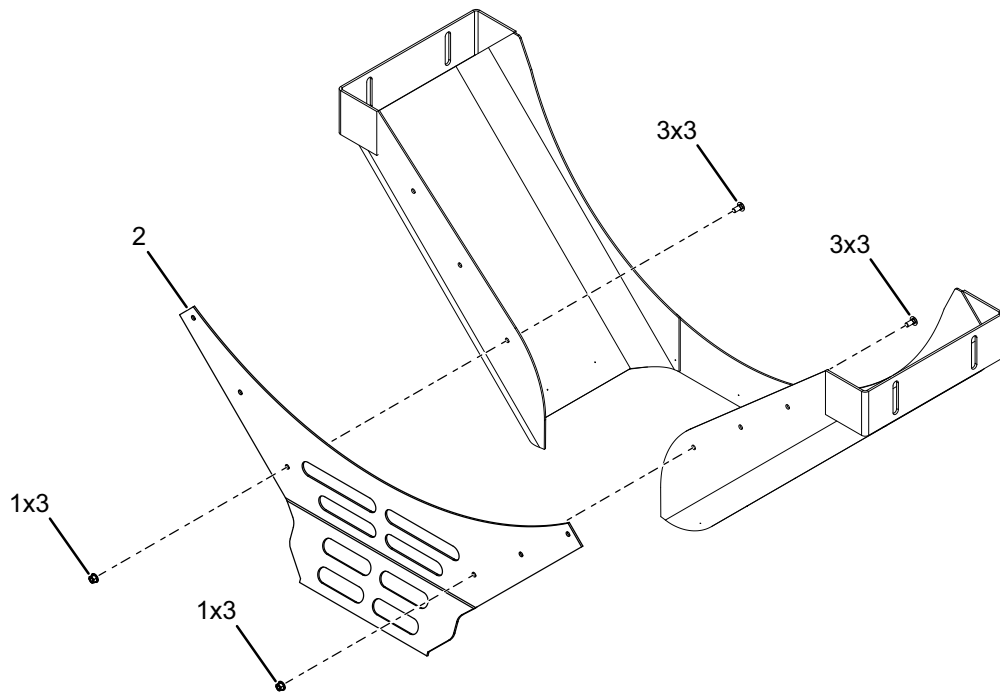
ITEM	PART #	PART DESCRIPTION	UOM	QTY
1	HH-00294-002	5/16 UNC HEX NUT	EA	19
2	HH-00457-007	LOCK WASHER 5/16" NOM	EA	19
3	HH-00750-011	5/16 X 1 1/2 FENDER WASHER	EA	11
4	MB-40839	DISC. HOPP. ENCLO. - BOOSTER	EA	1
4	MB-39169	DISC. HOPP. ENCLO. - ACTION	EA	1
4	MB-41439	DISC. HOPP. ENCLO. - TRAILER	EA	1
5	HH-00971-042	5/16 UNC CARRIAGE BOLT X 3/4"	EA	10
6	MB-40857	BOOSTER WRAP AROUND DISCHARGE RUBBER	EA	1
6	MB-41042	ACTION/TRAILER WRAP AROUND DISCHARGE RUBBER	EA	1





INSTL, HOPPER GUARD PAVER

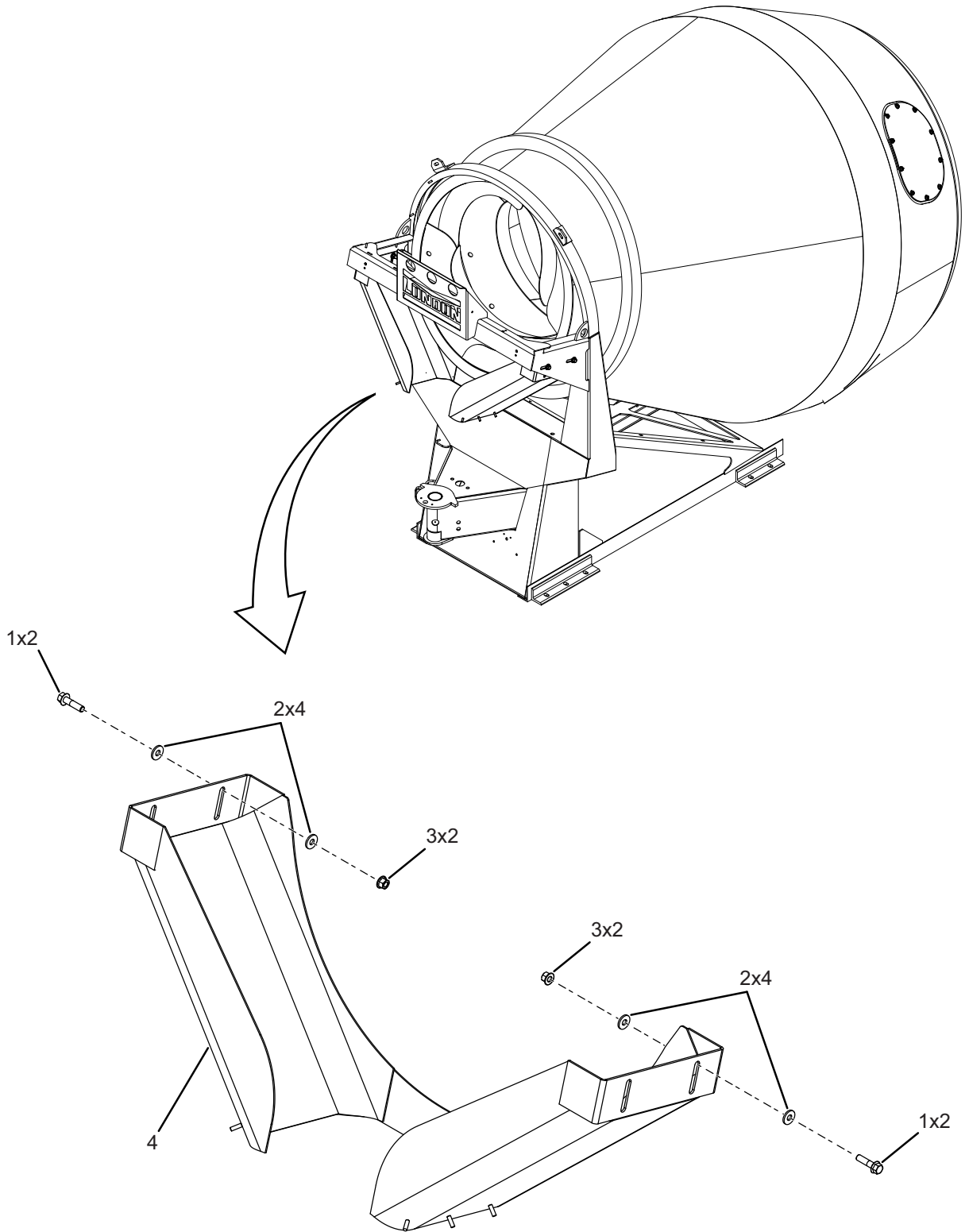
ITEM	PART #	PART DESCRIPTION	UOM	QTY
1	HH-01188-004	NUT, FLG LKDT .31 - 18 G6 CW	EA	3
2	HH-00293-029	SCR, CAP, HEX .31 - 18X1.25 G5 ZC	EA	2
3	HH-00341-003	WASH, FLT .31X .88X .06 ZC	EA	2
4	1601118	GUARD, HOPPER, PAVER	EA	1





INST, DISC HOPPER ENCLOSURE

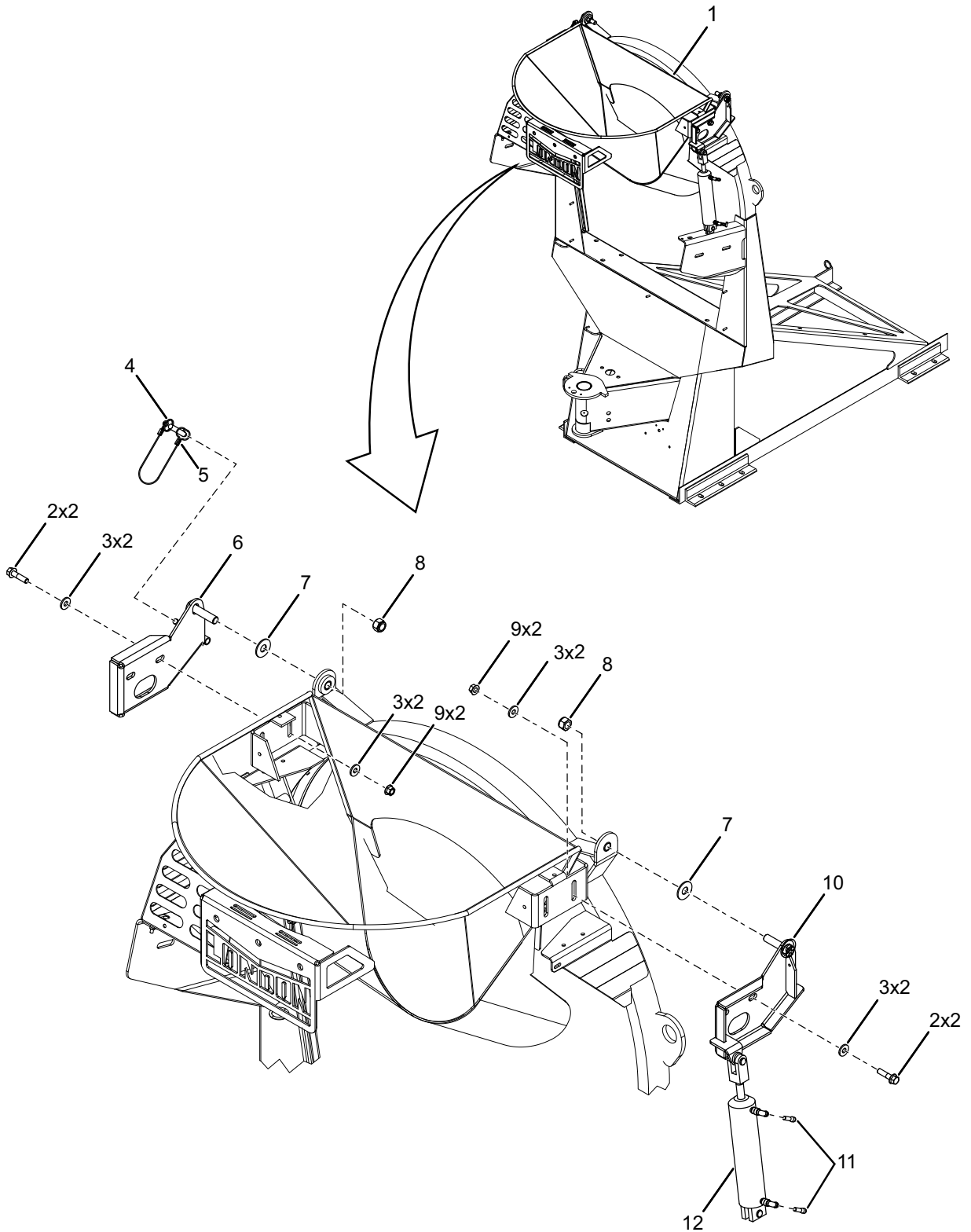
ITEM	PART #	PART DESCRIPTION	UOM	QTY
1	0120199	NUT, FLG, LKDT .31 - 18 GG CW	EA	6
2	1681072	ENCLOSURE, DISC HOPP, FORMED, STD	EA	1
2	1681406	ENCLOSURE, DISC HOPP, FORMED, PAVER	EA	1
3	HH-00971-042	5/16 UNC CARRIAGE BOLT X .75"	EA	6





DISCHARGE HOPPER ASSEMBLY

ITEM	PART #	PART DESCRIPTION	UOM	QTY
1	HH-01187-010	1/2 UNC x 2" LG. GR.5	EA	4
2	HH-01069-003	1/2" BELLEVILLE WASHER	EA	8
3	120201	NUT, FLG, LKDT .50 - 13 GG CW	EA	4
4	MD-33359	DISCHARGE HOPPER ASSY (ACTION MIXER)	EA	1
4	MC-41509	DISCHARGE HOPPER ASSY (ACTION/ PAVER MIXER)	EA	1
4	MC-39314	DISCHARGE HOPPER ASSY (PAVER MIXER)	EA	1





TILT LOADING HOPPER

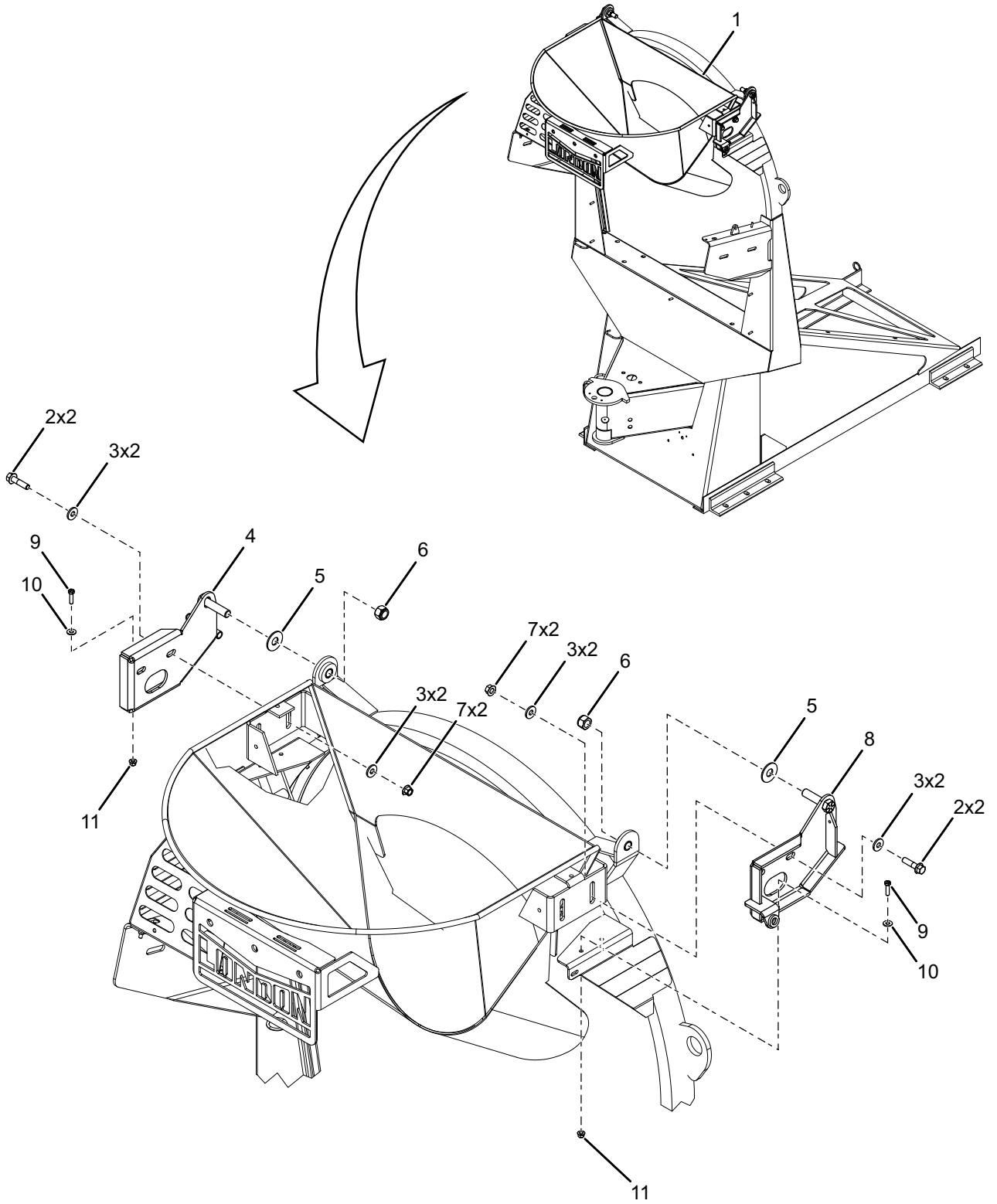
ITEM	PART #	PART DESCRIPTION	UOM	QTY
1	1568691L	LOADING HOPPER - LINED	EA	1
1	1568691	LOADING HOPPER	EA	1
1	1568691-05L	CUT DOWN LOADING HOOPER - LINED	EA	1
1	1568691-05	CUT DOWN LOADING HOPPER	EA	1
2	HH-01187-010	1/2 UNC x 2" LG. GR.5	EA	4
3	HH-01069-003	1/2" BELLEVILLE WASHER	EA	8
4	1681059	HOPPER ARM, PIN ASSY	EA	1
5	HH-01234-003	OVAL SLEEVE - 3/32" CABLE	EA	1
6	1538676	WELD'T, LH HOPPER LIFT ARM	EA	1
7	HH-00096-011	3/4" SAE WASHER	EA	2
8	HH-00340-006	3/4 UNC NYLOC NUT GR.5	EA	2
9	HH-01188-002	HEX. FLANGED NUT 1/2 - 13 GR.5 CAD	EA	4
10	1538677	WELD'T, RH HOPPER LIFT ARM	EA	1
11	1566399	FTG, ST 6 PTC - 4 PTC MF PL	EA	2
12	0107616	CYL, AIR, HPR UP, 2.50X8.00	EA	1





INST, LOADING HOPPER PAVER

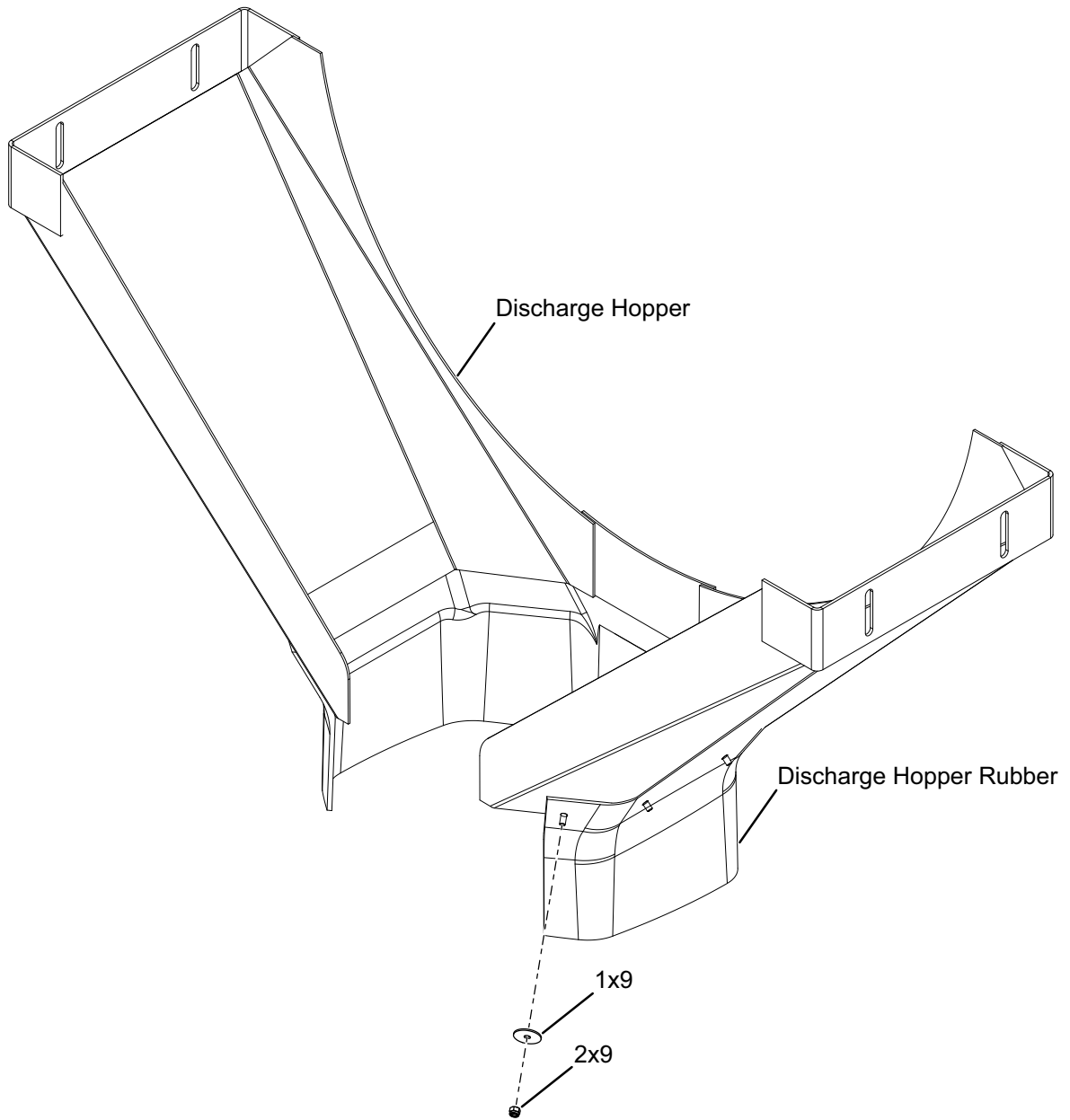
ITEM	PART #	PART DESCRIPTION	UOM	QTY
1	1568691L	LOADING HOPPER - LINED	EA	1
1	1568691	LOADING HOPPER	EA	1
1	1568691-05L	CUT DOWN LOADING HOOPER - LINED	EA	1
1	1568691-05	CUT DOWN LOADING HOPPER	EA	1
2	HH-01187-010	1/2 UNC x 2" LG. GR.5	EA	4
3	HH-01069-003	1/2" BELLEVILLE WASHER	EA	8
4	HH-01234-003	OVAL SLEEVE - 3/32" CABLE	EA	2
5	HH-01233-016	3/32" NYL. COAT. S. S. CABL - 18" LG	EA	1
6	HH-01010-025	1/2" QUICK RELEASE P/N - 2" LG	EA	1
7	1601111	WELD'T, LH HOPPER LIFT ARM	EA	1
8	HH-00096-011	3/4" SAE WASHER	EA	2
9	HH-00340-006	3/4 UNC NYLOC NUT GR.5	EA	2
10	HH-01188-002	HEX. FLANGED NUT 1/2 - 13 GR.5 CAD	EA	4
11	1601112	WELD'T, RH HOPPER LIFT ARM	EA	1
12	1566399	FTG, ST 06 PTC - 04 PTC PL	EA	2
13	0107616	CYL, AIR, HPR UP, 2.50X8.00	EA	1
		*NOSE OF HOPPER MUST BE CLEAR OF BLADES AND LIPS OF DRUM		





INST, FIXED LOADING HOPPER

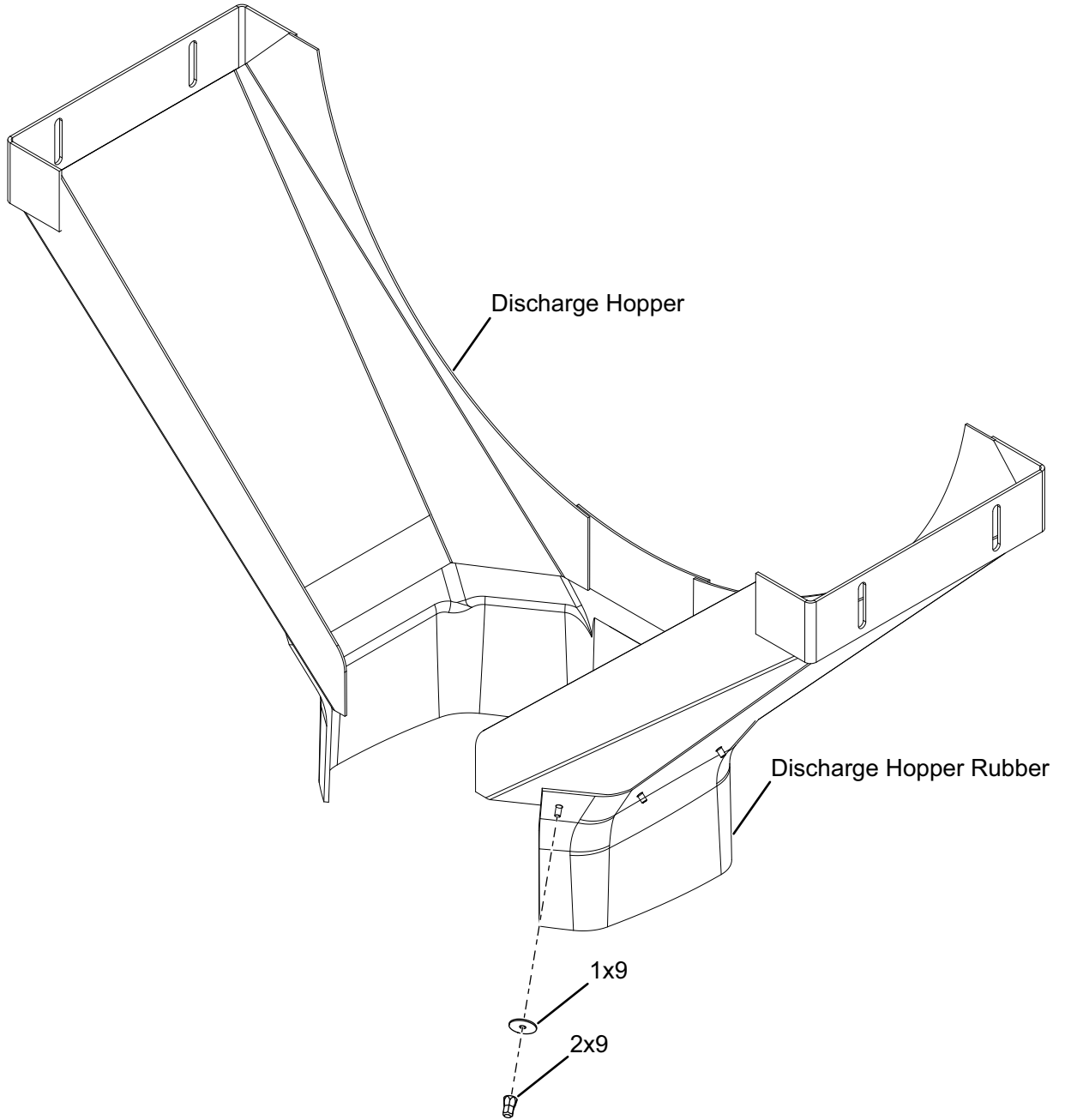
ITEM	PART #	PART DESCRIPTION	UOM	QTY
1	1568691L	LOADING HOPPER - LINED	EA	1
1	1568691	LOADING HOPPER	EA	1
1	1568691-05L	CUT DOWN LOADING HOOPER - LINED	EA	1
1	1568691-05	CUT DOWN LOADING HOPPER	EA	1
2	HH-01187-010	1/2 UNC x 2" LG. GR.5	EA	4
3	HH-01069-003	1/2" BELLEVILLE WASHER	EA	8
4	1538676	WELD'T, LH HOPPER LIFT ARM	EA	1
5	HH-00096-011	3/4" SAE WASHER	EA	2
6	HH-00340-006	3/4 UNC NYLOC NUT GR.5	EA	2
7	HH-01188-002	HEX. FLANGED NUT 1/2 - 13 GR.5 CAD	EA	4
8	1538677	WELD'T, RH HOPPER LIFT ARM	EA	1
9	HH-00293-029	SCR, CAP, HEX .31 - 18X1.25 G5 ZC	EA	2
10	HH-00341-003	WASH, FLT .31X.88X.06 ZC	EA	2
11	HH-01188-004	NUT, FLG, LKDT .31 - 18 GG CW	EA	2
		*NOSE OF HOPPER MUST BE CLEAR OF BLADES AND LIPS OF DRUM		





INST, RBR, DISC HPR, HARDWARE

ITEM	PART #	PART DESCRIPTION	UOM	QTY
1	HH-00750-011	5/16 X 1 1/2 FENDER WASHER	EA	9
2	1241877	NUT, HEX, LKNY .31 - 18 G8 ZY	EA	9

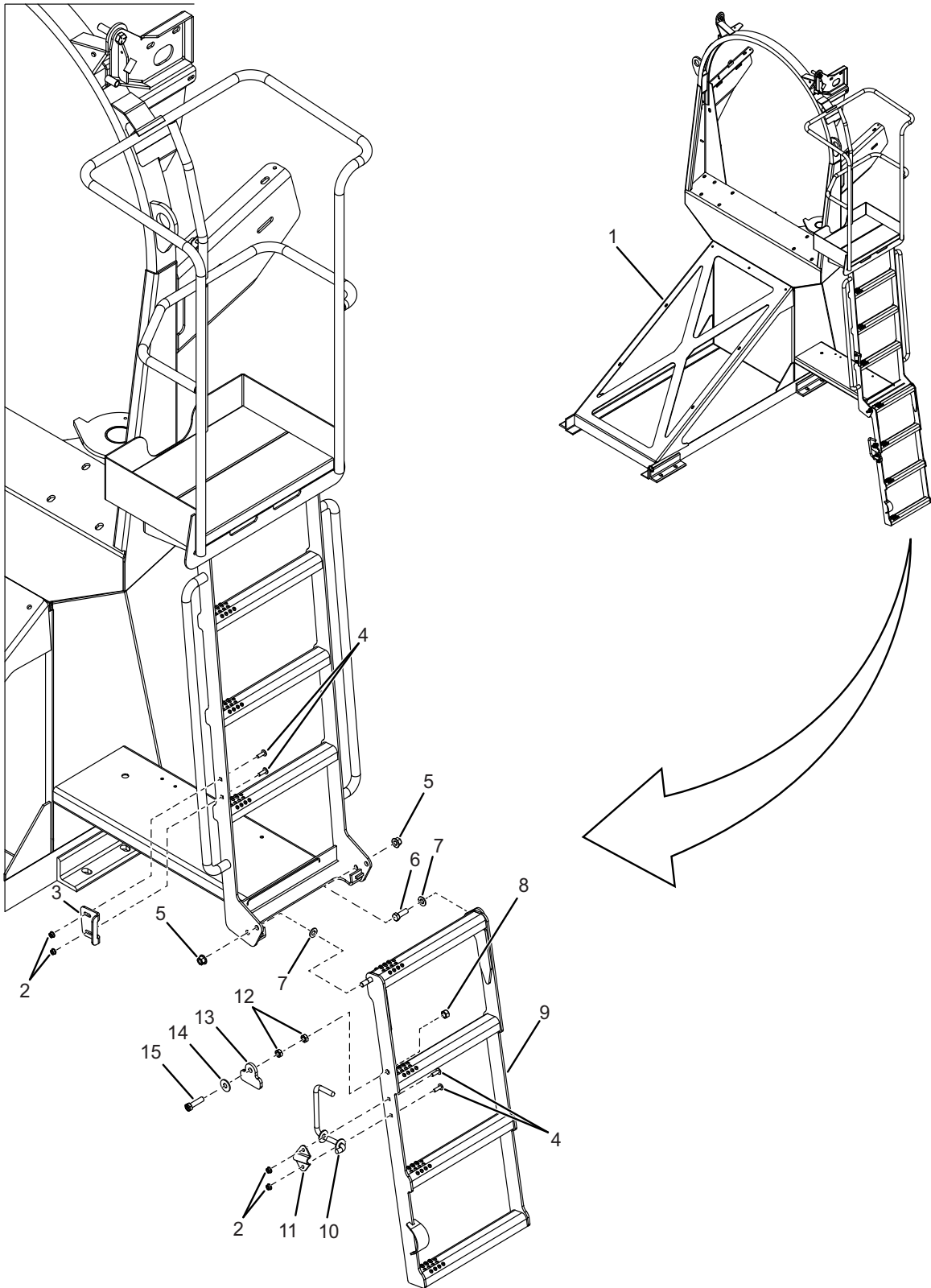




INST, RBR, DISC HPR, HARDWARE

ITEM	PART #	PART DESCRIPTION	UOM	QTY
1	HH-00750-011	5/16 X 1 1/2 FENDER WASHER	EA	9
2	1540285	NUT, PLASTIC ACORN, .313 - 18	EA	9

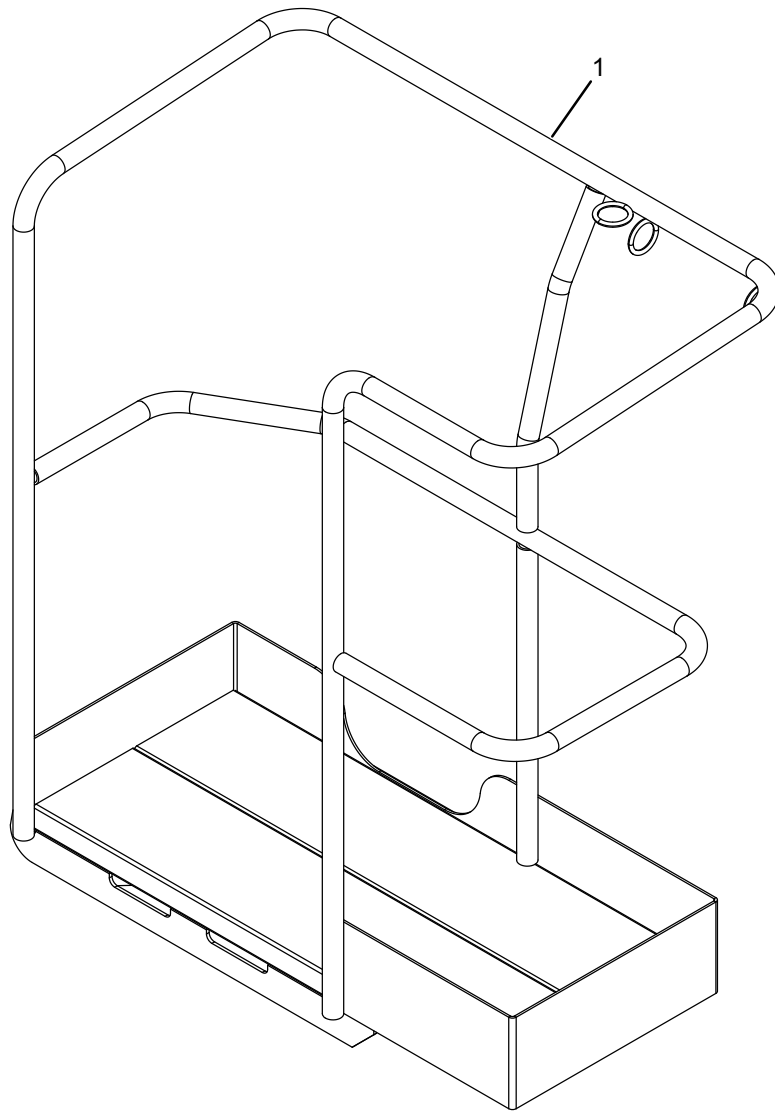
REAR LADDER AND PLATFORM





REAR LADDER AND PLATFORM

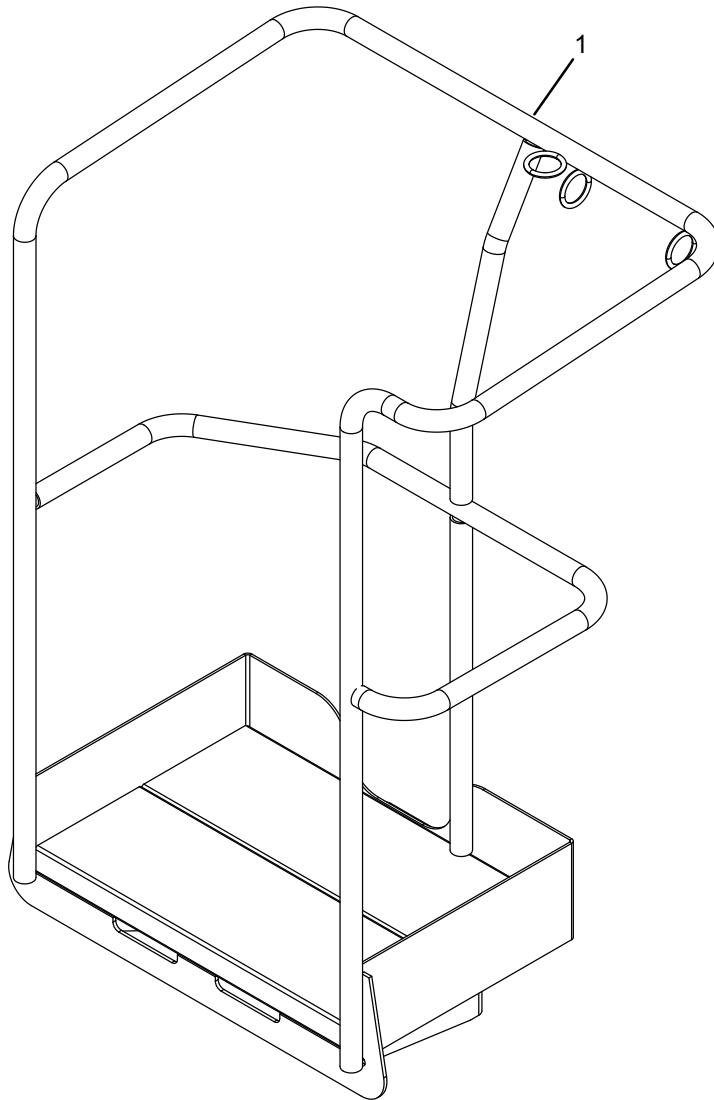
ITEM	PART #	PART DESCRIPTION	UOM	QTY
1	1568832-01	3M, LDR, PLTFM ASSY - STD MXR	EA	1
1	1568832-02	4M, LDR, PLTFM ASSY - STD MXR	EA	1
1	1568832-03	6M, LDR, PLTFM ASSY - STD MXR	EA	1
1	1568832-04	6.5M, LDR, PLTFM ASSY - STD MXR	EA	1
1	1568832-05	7M, LDR, PLTFM ASSY - STD MXR	EA	1
1	1568832-06	8M, LDR, PLTFM ASSY - STD MXR	EA	1
1	1568832-07	8M LP, LDR, PLTFM ASSY - STD MXR	EA	1
1	1568832-09	8.5M, LDR, PLTFM ASSY - STD MXR	EA	1
1	1568832-10	9M, LDR, PLTFM ASSY - STD MXR	EA	1
1	1568832-11	9M LP, LDR, PLTFM ASSY - STD MXR	EA	1
1	1568832-12	9.5M, LDR, PLTFM ASSY - STD MXR	EA	1
1	1568832-13	10M, LDR, PLTFM ASSY - STD MXR	EA	1
2	1357972	NUT, FLGS, LKDT .31 - 18 GA ZC	EA	4
3	MB-38745	LADDER LATCH CATCH	EA	1
4	HH-00971-043	5/16 - UNC x 1 CARR. BOLT GR.5	EA	4
5	0120201	NUT, FLG, LKDT .50 - 13 GG CW	EA	2
6	HH-00293-090	HEX HD BOLT 1/2 - 13 UNC x 1.1/2 GR5	EA	1
7	HH-00096-008	SAE WASHER - 1/2"	EA	2
8	HH-01050-018	UNI - TORQUE LOCKNUT 1/2 - 13 UNC	EA	1
9	1568823	EXTENSION LADDER WELDMENT	EA	1
10	MB-38744	LADDER LATCH HANDLE	EA	1
11	MB-38746	LADDER LATCH HINGE	EA	1
12	120254	NUT, JAM .50 - 13 GA ZC	EA	2
13	MA-39856	LADDER LOCK WEIGHT	EA	1
14	HH-00341-006	HEX HD CAP SCREW 1/2" UNC X 2" LG	EA	1
15	HH-00293-092	HEX HD CAP SCREW 1/2" UNC X 2" LG	EA	1





LADDER PLATFORM, WIDE

ITEM	PART #	PART DESCRIPTION	UOM	QTY
1	1568806	LADDER PLATFORM, WIDE	EA	1

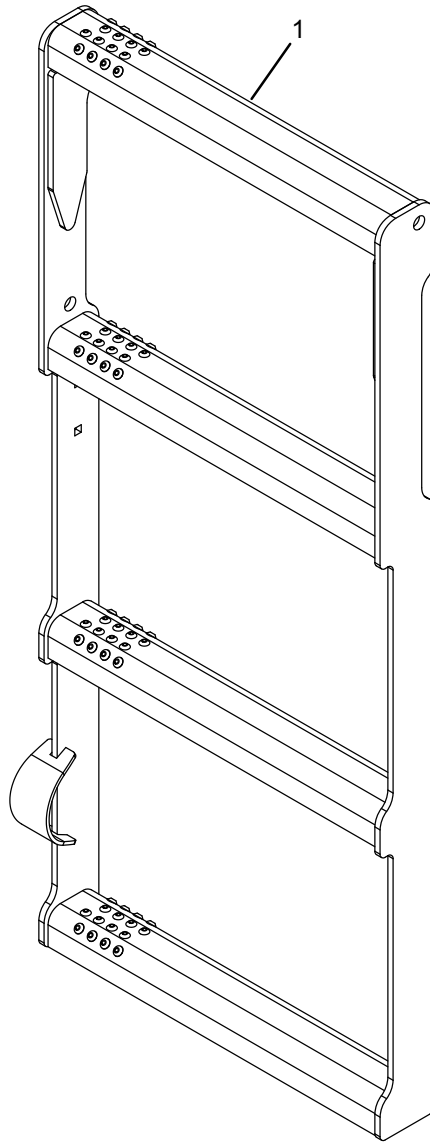




LADDER PLATFORM WELDMENT

ITEM	PART #	PART DESCRIPTION	UOM	QTY
1	1579431	LADDER PLATFORM WELDMENT	EA	1

EXTENSION LADDER WELD'T 4 RUNG

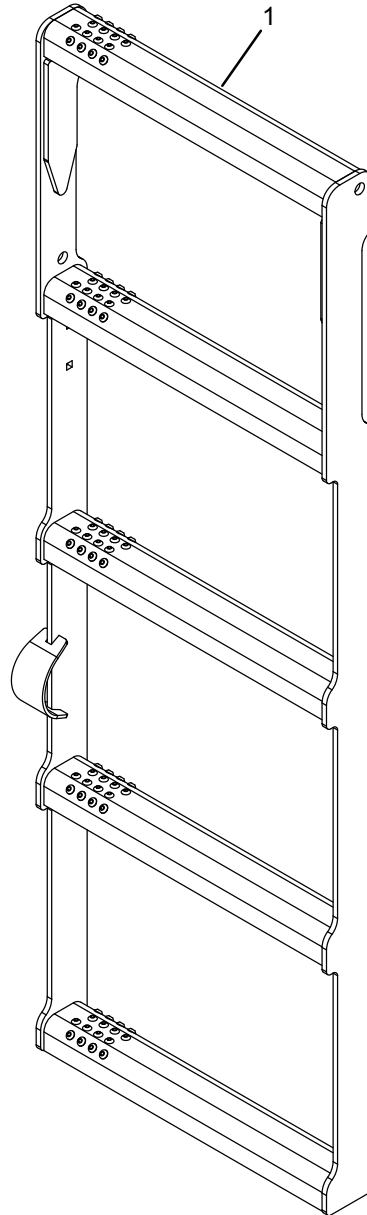




EXTENSION LADDER WELD'T 4 RUNG

ITEM	PART #	PART DESCRIPTION	UOM	QTY
1	1568823	EXTENSION LADDER WELD'T 4 RUNG	EA	1

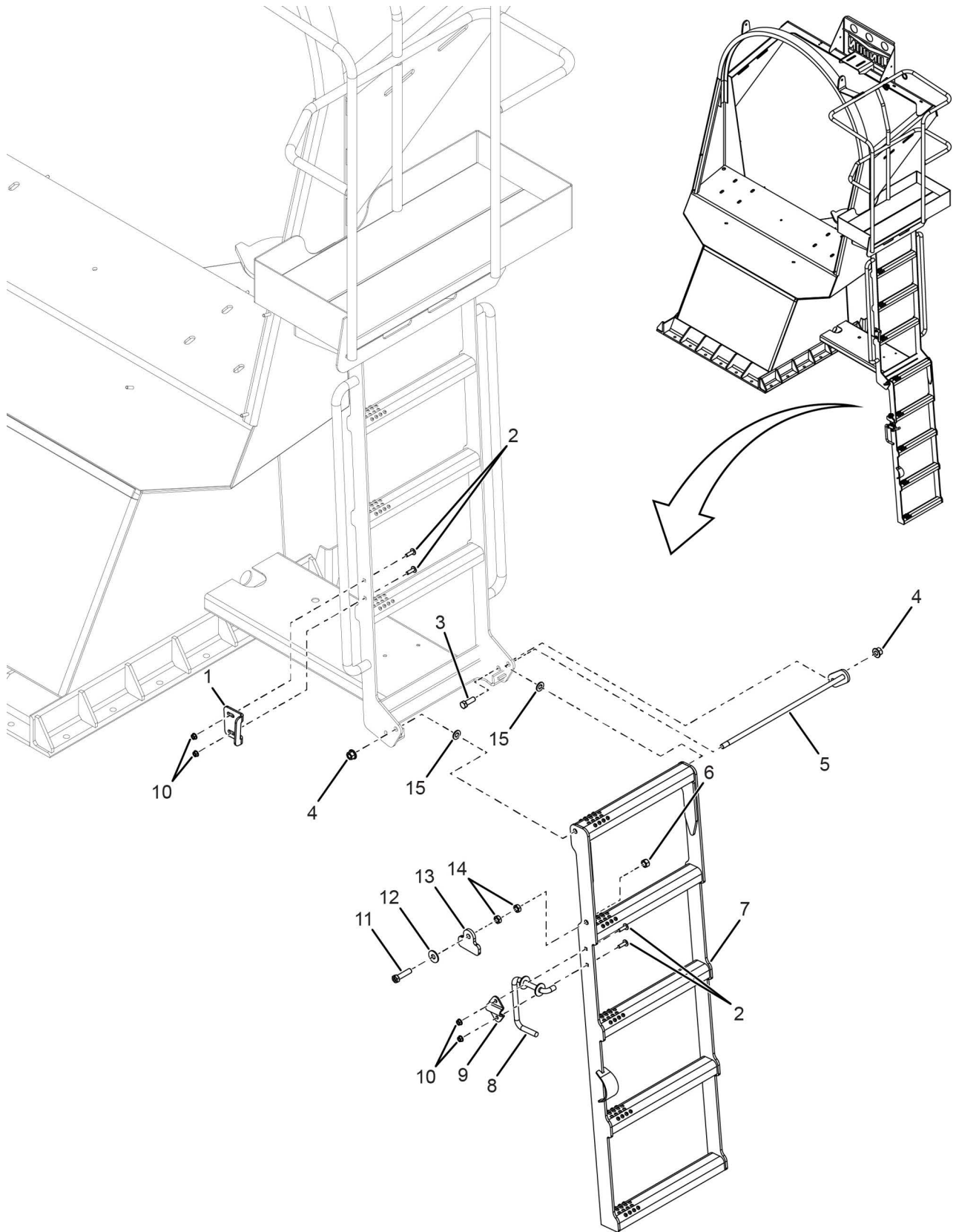
EXTENSION LADDER WELD'T 5 RUNG





EXTENSION LADDER WELD'T 5 RUNG

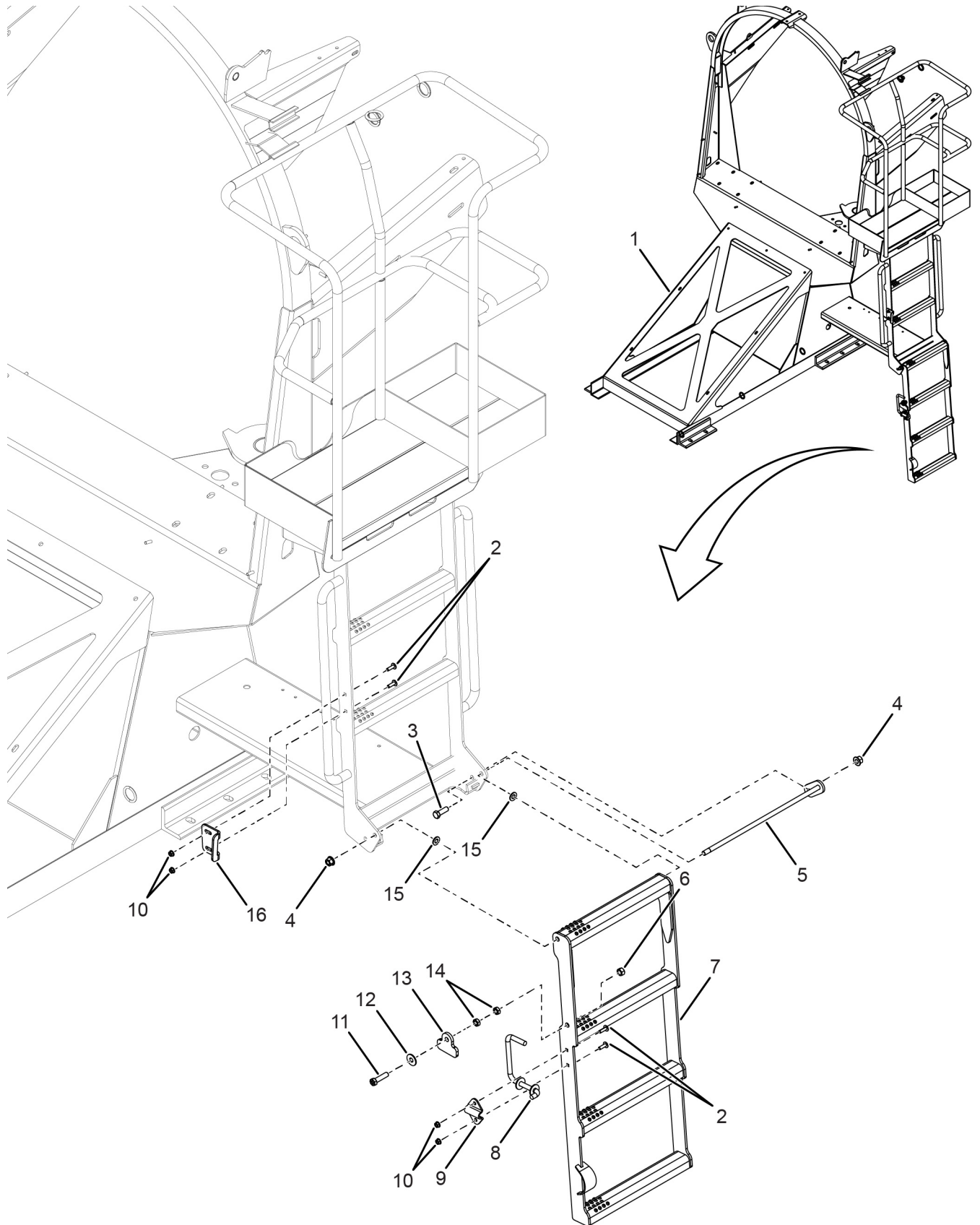
ITEM	PART #	PART DESCRIPTION	UOM	QTY
1	1568823-01	EXTENSION LADDER WELD'T 5 RUNG	EA	1





TLR LADDER AND PLATFORM INSTALL

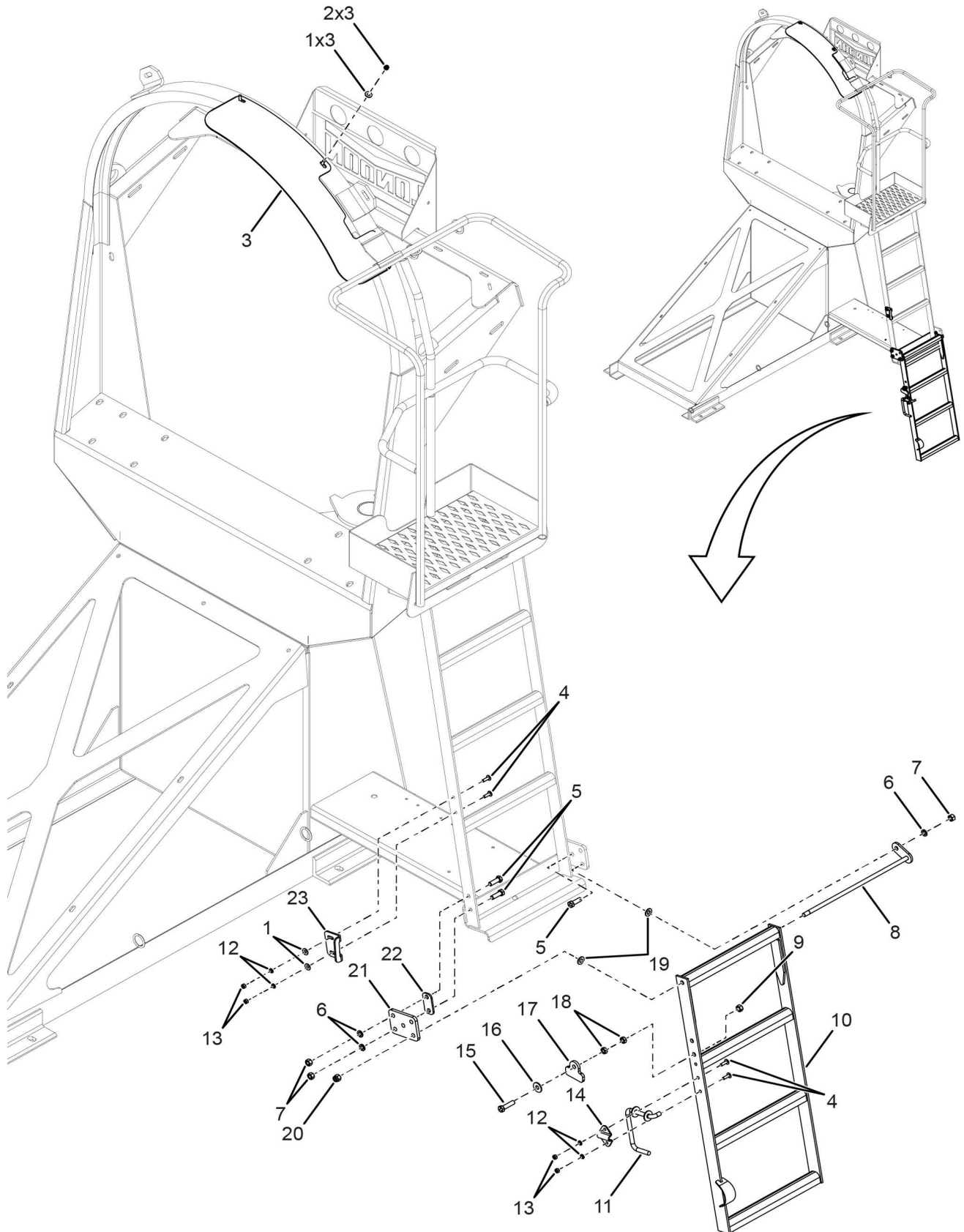
ITEM	PART #	PART DESCRIPTION	UOM	QTY
1	MB-38745	LADDER LATCH CATCH	EA	1
2	HH-00971-043	5/16 - UNC x 1 CARR. BOLT GR.5	EA	4
3	HH-00293-090	HEX HD BOLT 1/2 - 13 UNC x 1.1/2 GR5	EA	1
4	0120201	NUT, FLG, LKDT .50 - 13 GG CW	EA	2
5	MB-39976	LADDER HINGE PIN WELD'T	EA	1
6	HH-01050-018	UNI - TORQUE LOCKNUT 1/2 - 13 UNC	EA	1
7	1568823-01	EXTENSION LADDER WEDMENT	EA	1
8	MB-38744	LADDER LATCH HANDLE	EA	1
9	MB-38746	LADDER LATCH HINGE	EA	1
10	1357972	NUT, FLGS, LKDT .31 - 18 GA ZC	EA	4
11	HH-00293-092	HEX HD CAP SCREW 1/2" UNC x 2" LG	EA	1
12	HH-00341-006	1/2 FLAT WASHER	EA	1
13	MA-39856	LADDER LOCK WEIGHT	EA	1
14	0120254	NUT, JAM .50 - 13 GA ZC	EA	2
15	HH-00096-008	SAE WASHER - 1/2"	EA	2





ACTION LADDER & PLATFORM ASSY

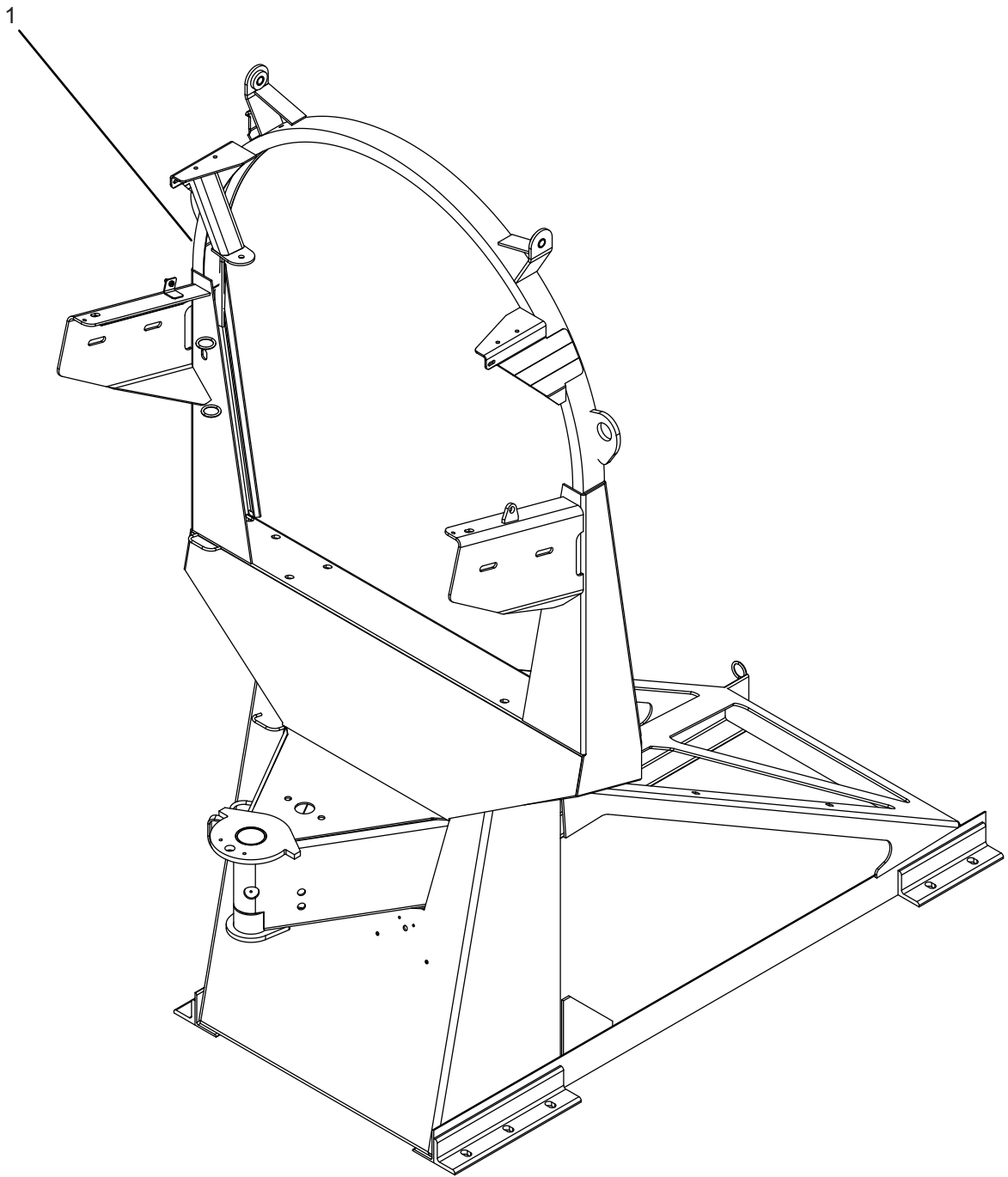
ITEM	PART #	PART DESCRIPTION	UOM	QTY
1	1642184	REAR PED. TILT PAVER WELD'T	EA	1
1	1571646	REAR LADDER SUPPORT (PAVER PLATFORM)	EA	1
1	1595053	LADDER RAIL BRACE WELD'T	EA	1
1	1568798	UPPER LADDER	EA	1
2	HH-00971-043	5/16 - UNC X 1 CARR. BOLT GR.5	EA	4
3	HH-00293-090	HEX HD BOLT 1/2 - 13 UNC X 1.1/2 GR5	EA	1
4	0120201	NUT, FLG, LKDT .50 - 13 GG CW	EA	2
5	MB-39976	LADDER HINGE PIN WELD'T	EA	1
6	HH-01050-018	UNI - TORQUE LOCKNUT 1/2 - 13 UNC	EA	1
7	1568823	EXTENSION LADDER WELDMENT	EA	1
7	1568823-01	EXTENSION LADDER WELDMENT	EA	1
8	MB-38744	LADDER LATCH HANDLE	EA	1
9	MB-38746	LADDER LATCH HINGE	EA	1
10	1357972	NUT, FLGS, LKDT .31 - 18 GA ZC	EA	4
11	HH-00293-092	HEX HD CAP SCREW 1/2" UNC X 2" LG	EA	1
12	HH-00341-006	1/2 FLAT WASHER	EA	1
13	MA-39856	LADDER LOCK WEIGHT	EA	1
14	0120254	NUT, JAM .50 - 13 GA ZC	EA	2
15	HH-00096-008	SAE WASHER - 1/2"	EA	2
16	MB-38745	LADDER LATCH CATCH	EA	1





ACTION LADDER & PLATFORM ASSY

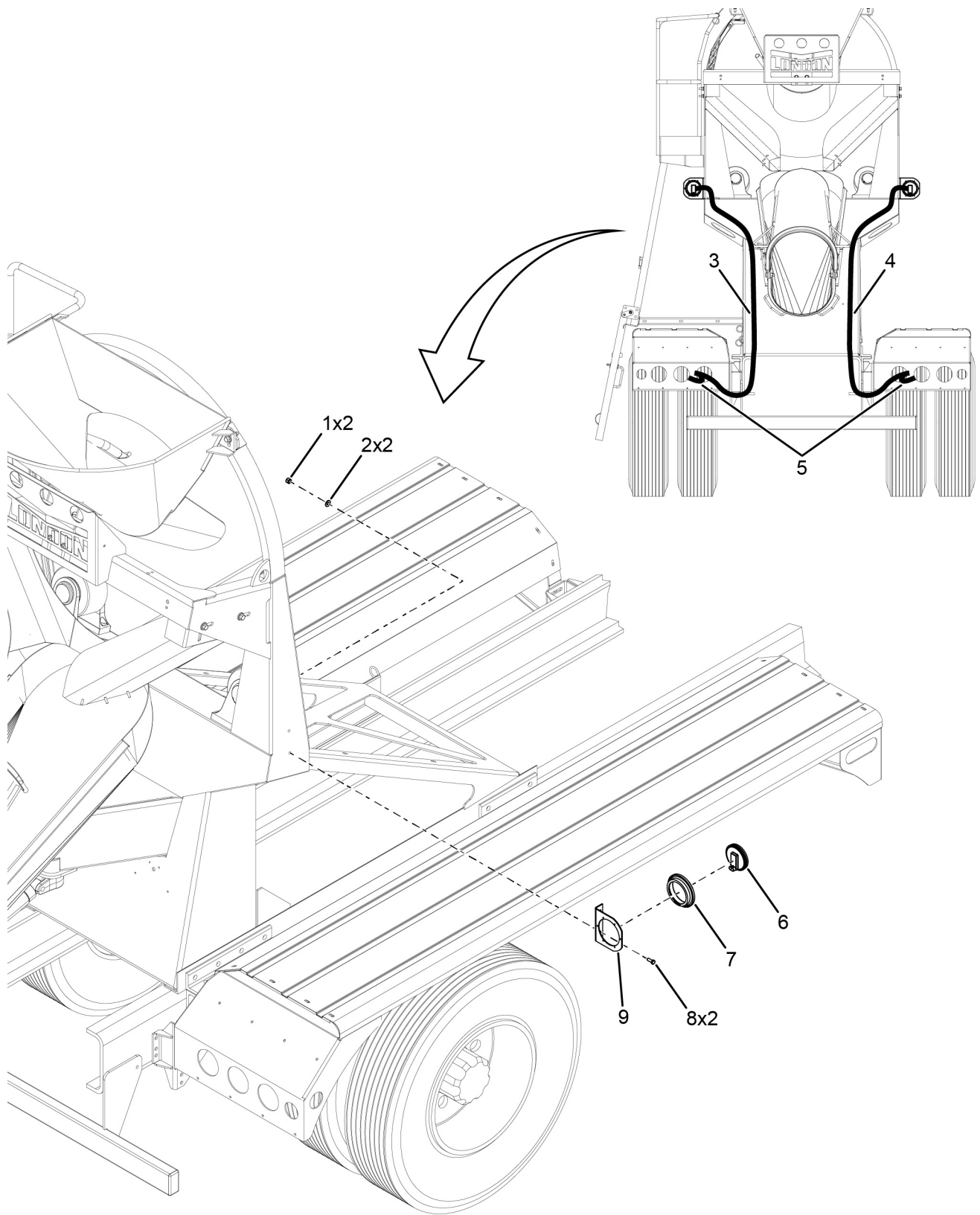
ITEM	PART #	PART DESCRIPTION	UOM	QTY
1	0100560	WASH, FLT .31X.88X.12 ZY HDN	EA	5
2	1241877	NUT, HEX, LKNY .31-18 G8 ZY	EA	3
3	MB-40407	DRIP RING GUARD	EA	1
4	HH-00971-043	5/16-UNC x 1 CARR. BOLT GR.5	EA	4
5	1136709	SCR, CAP, HEX .50-13X1.50 G5 ZC	EA	3
6	HH-00457-001	LOCK WASHER 1/2"	EA	3
7	1245124	NUT, HEX .50-13 G5 ZC	EA	3
8	MB-39976	LADDER HINGE PIN WELD'T	EA	1
9	HH-01050-018	UNI-TORQUE LOCKNUT 1/2-13 UNC	EA	1
10	MB-40665	EXTENSION LADDER ASSEMBLY	EA	1
11	MB-38744	LADDER LATCH HANDLE	EA	1
12	HH-00457-007	LOCK WASHER 5/16" NOM	EA	4
13	0005327	NUT, HEX .31-18 G8 ZY	EA	4
14	MB-38746	LADDER LATCH HINGE	EA	1
15	1136711	SCR, CAP, HEX .50-13X2.00 G5 ZC	EA	1
16	HH-00341-006	1/2 FLAT WASHER	EA	1
17	MA-39856	LADDER LOCK WEIGHT	EA	1
18	0120254	NUT, JAM .50-13 GA ZC	EA	2
19	0120279	WASH, FLT .50X1.06X.12 ZY HDN	EA	2
20	1241098	NUT, HEX, LKNY .50-13 G8 ZY	EA	1
21	MA-38740	LADDER PIVOT BKT	EA	1
22	MA-38960	SPACER PLATE	EA	1
23	MB-38745	LADDER LATCH CATCH	EA	1





REAR PED, TILT, WELD'T

ITEM	PART #	PART DESCRIPTION	UOM	QTY
1	1560739-01	REAR PED, 3M, TILT, WELD'T	EA	1
1	1560739-02	REAR PED, 4M, TILT, WELD'T	EA	1
1	1560739-03	REAR PED, 6M, TILT, WELD'T	EA	1
1	1560739-04	REAR PED, 6.5M, 8MLP, TILT, WELD'T	EA	1
1	1560739-05	REAR PED, 7M, TILT, WELD'T	EA	1
1	1560739-06	REAR PED, 8M, 9MLP, TILT, WELD'T	EA	1
1	1560739-07	REAR PED, 8.5M, TILT, WELD'T	EA	1
1	1560739-08	REAR PED, 9M, TILT, WELD'T	EA	1
1	1560739-09	REAR PED, 9.5M, 10M, TILT, WELD'T	EA	1

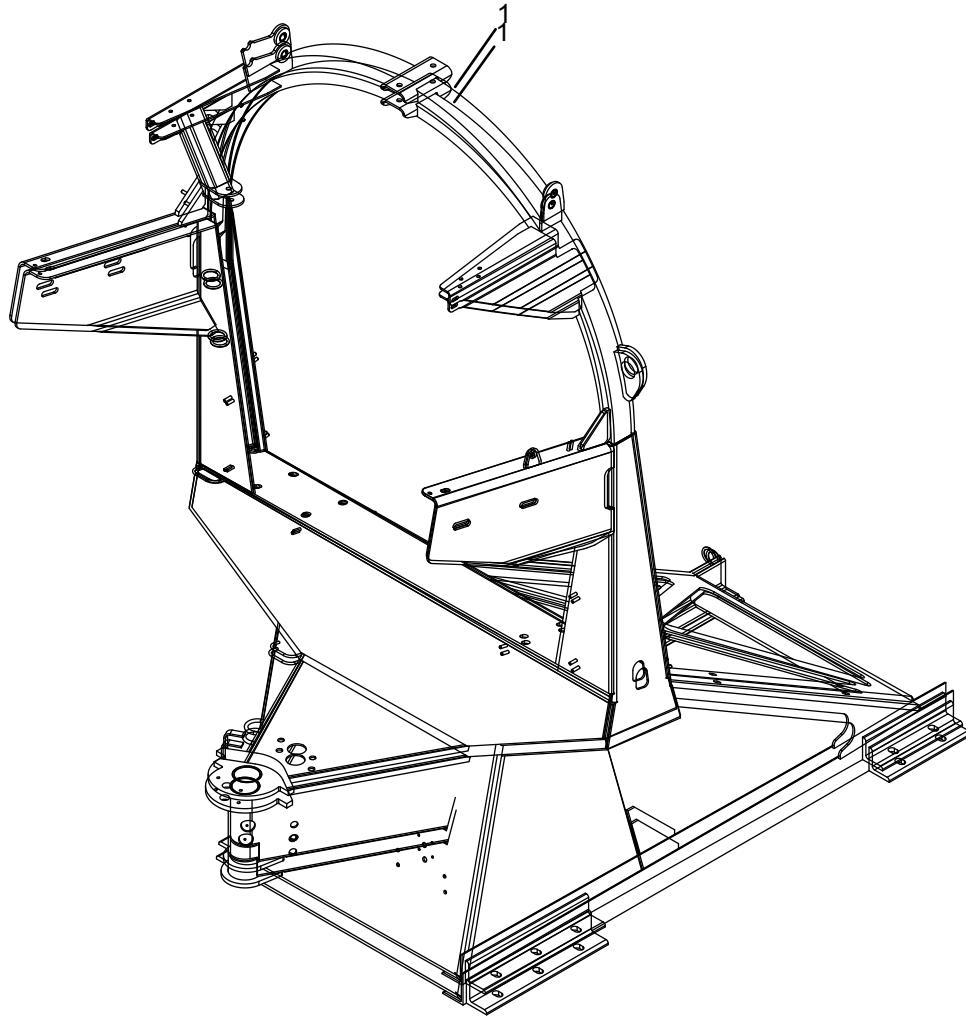


This illustration is shown only for RH side.



UPPER BRAKE LTS, REAR PED, INSTL

ITEM	PART #	PART DESCRIPTION	UOM	QTY
1	HH-00294-003	3/8 UNC HEX NUT GR5	EA	4
2	HH-00341-004	3/8" FLAT WASHER	EA	4
3	MA-41558	HARNESS, MIDSHIP, LH	EA	1
4	MA-41559	HARNESS, MIDSHIP, RH	EA	1
5	LM-913	WIRE HARN, LED Y ADAP	EA	2
6	HH-01292-016	4" STOP, TURN & TAIL LIGHT	EA	2
7	HH-01086-011	GROM, RND 4.00 RBR	EA	2
8	HH-00293-049	3/8 UNC BOLT X 1 IN LG GR. 5	EA	4
9	0605602	BRKT, LIGHT 4.00 RND	EA	2



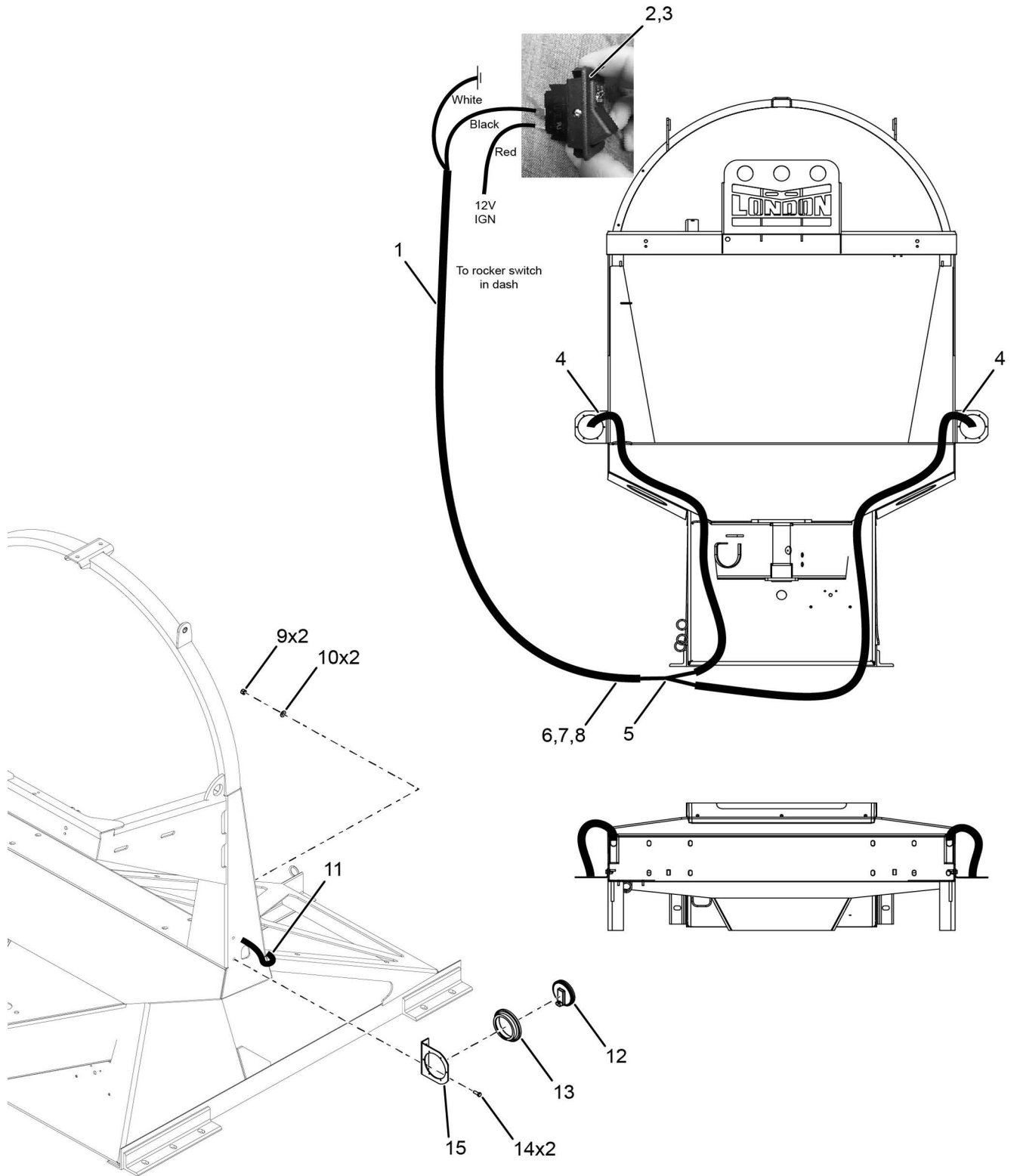


REAR PED. TILT PAVER WELD'T

ITEM	PART #	PART DESCRIPTION	UOM	QTY
1	1642184-02	REAR PED. TILT PAVER, WELD'T	EA	1
1	1642184-04	REAR PED. TILT PAVER, WELD'T	EA	1
1	1642184-05	REAR PED. TILT PAVER, WELD'T	EA	1



INSTL, 4" STROBE, REAR PED



This illustration is shown only for RH side.



INSTL, 4" STROBE, REAR PED

ITEM	PART #	PART DESCRIPTION	UOM	QTY
1	HH-01335-001	WIRE, SJOOW, 16 GA, 2 COND	EA	A/R
2	1548723	SWITCH, ROCKER, MACK	EA	1
3	1611365	DECAL, SWITCH, STROBE	EA	1
4	1592021	HARN, 4" STROBE, PED MOUNT	EA	2
5	1514162	WIRE HARN, WL, BM, Y CABLE	EA	1
6	HH-01236-004	HOUSING, 2 PLUG, MALE	EA	1
7	HH-01236-016	SOCKET TERMINAL 16 - 14 GA	EA	2
8	HH-01236-018	CABLE SEAL 16 - 14 GA	EA	2
9	HH-00294-003	3/8 UNC HEX NUT GR5	EA	4
10	HH-00341-004	3/8" FLAT WASHER	EA	4
11	HH-00815-015	CLAMP, CABLE .38 ST VY	EA	2
12	1271350	LT, STROBE, AMB, 12V, LED, CLASS-1	EA	2
13	HH-01086-011	GROM, RND 4.00 RBR	EA	2
14	HH-00293-049	3/8 UNC BOLT X 1 IN LG GR. 5	EA	4
15	605602	BRKT, LIGHT 4.00 RND	EA	2

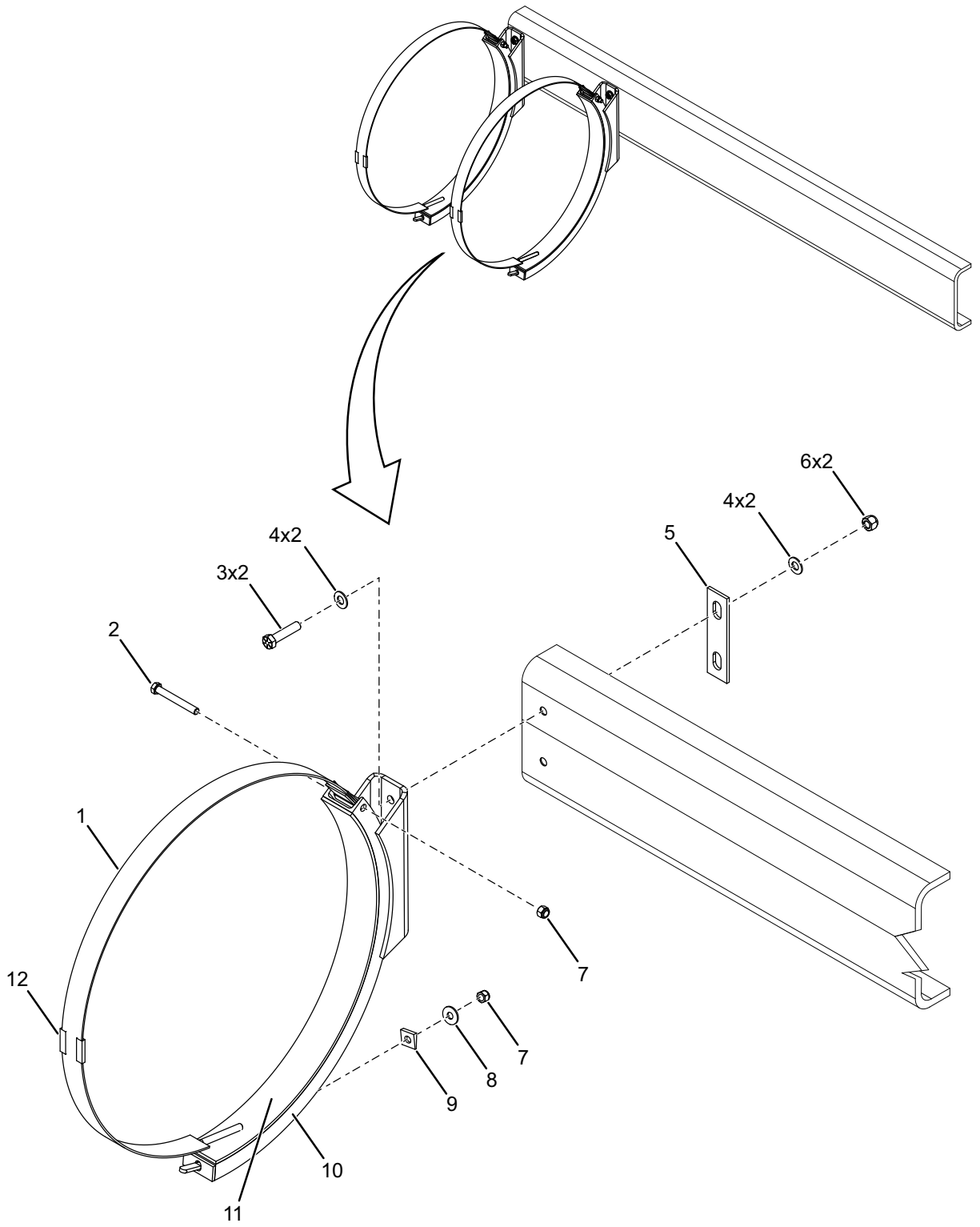


Illustration shown for only one side mount water tank cradle.



24" DIA. WATER TANKS - ALL

ITEM	PART #	PART DESCRIPTION	UOM	QTY
1	MC-41882-01	24" SIDEMOUNT WATERTANK STRAP	EA	2
2	HH-00293-100	HEX HD CAP SCREW 1/2" UNC X 4"	EA	2
3	1136866	SCR, CAP, HEX .62 - 11X2.75 G8 ZY	EA	4
4	0100565	WASH, FLT .62X1.31X.12 ZY HDN	EA	8
5	MA-42881	SPACER, FRAME BRACKET (OPTIONAL)	EA	2
6	0005341	NUT, HEX, LKDT .62 - 11 GC ZC	EA	4
7	HH-00340-003	1/2" UNC NY/LK NUT	EA	4
8	HH-00341-006	1/2 FLAT WASHER	EA	2
9	1628391	BEVELED WASHER 1/2" DIA	EA	2
10	MD-35482-01	WATER TANK CRADLE 24"	EA	2
11	HH-01020-001	RUBBER STRAPPING	EA	2
12	HH-00739-011	CHANNEL, WATER TNK STRAP 45.5" LG	EA	2
		*CRADLES ARE NOT TO BE MOUNTED WITHIN 8" OF THE END OF THE TANK.		
		**PARTS FOR MOUNTING ONE CRADLE		

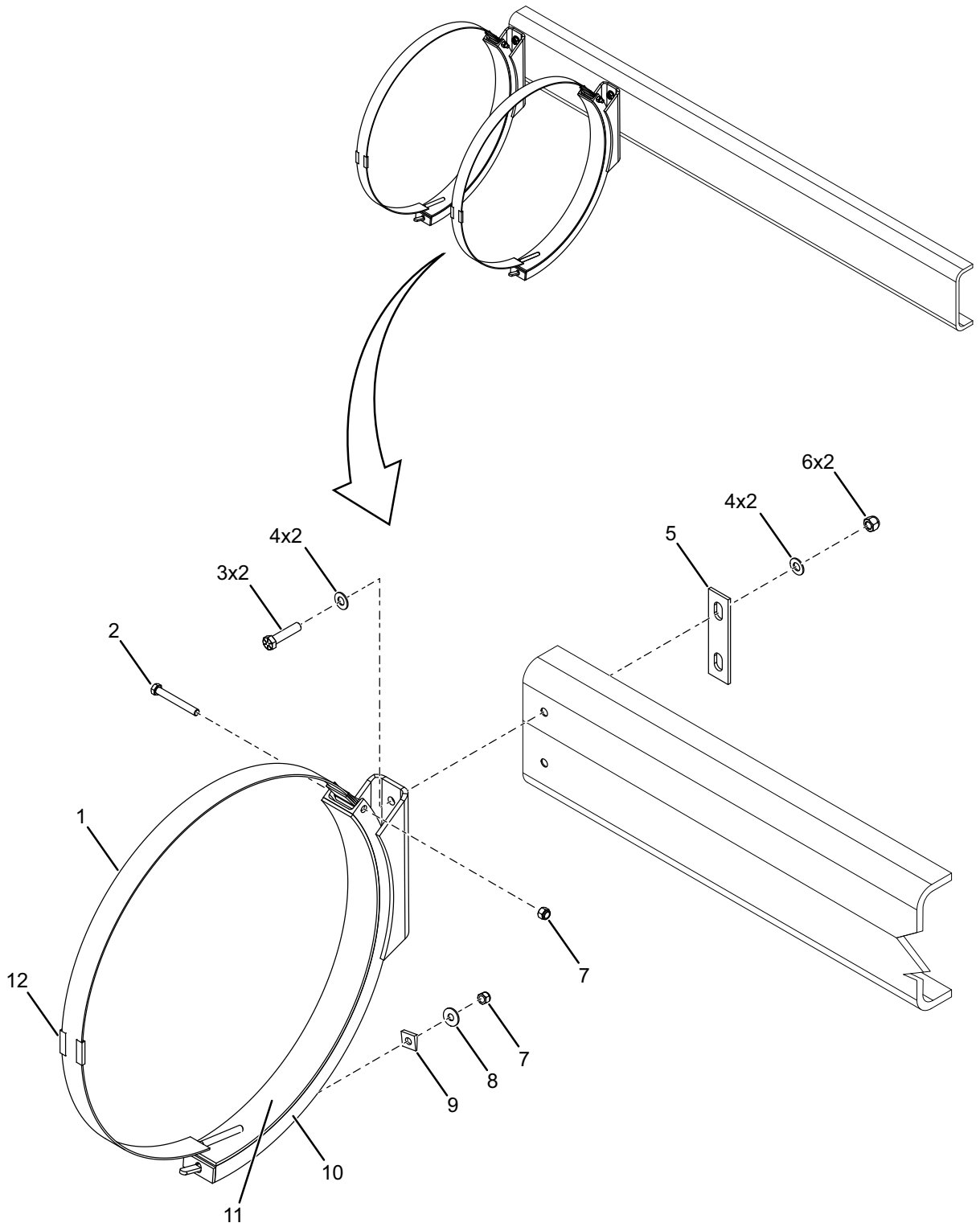


Illustration shown for only one side mount water tank cradle.



30" DIA. WATER TANKS-150 USG & LESS

ITEM	PART #	PART DESCRIPTION	UOM	QTY
1	MC-41882-04	30" GEARBOX MOUNT WATER TANK STRAP	EA	2
2	HH-00293-100	HEX HD CAP SCREW 1/2" UNC X 4"	EA	2
3	1136866	SCR, CAP, HEX .62 - 11X2.75 G8 ZY	EA	4
4	0100565	WASH, FLT .62X1.31X.12 ZY HDN	EA	8
5	MA-42881	SPACER, FRAME BRACKET (OPTIONAL)	EA	2
6	0005341	NUT, HEX, LKDT .62 - 11 GC ZC	EA	4
7	HH-00340-003	1/2" UNC NY/LK NUT	EA	4
8	HH-00341-006	1/2 FLAT WASHER	EA	2
9	1628391	BEVELED WASHER 1/2" DIA	EA	2
10	MD-35482-03	WATER TANK CRADLE 30"	EA	2
11	HH-01020-003	RUBBER STRAPPING	EA	2
12	HH-00739-013	CHANNEL, WATER TNK STRAP 57.5" LG	EA	2
		*CRADLES ARE NOT TO BE MOUNTED WITHIN 8" OF THE END OF THE TANK.		
		*PARTS FOR MOUNTING ONE CRADLE		

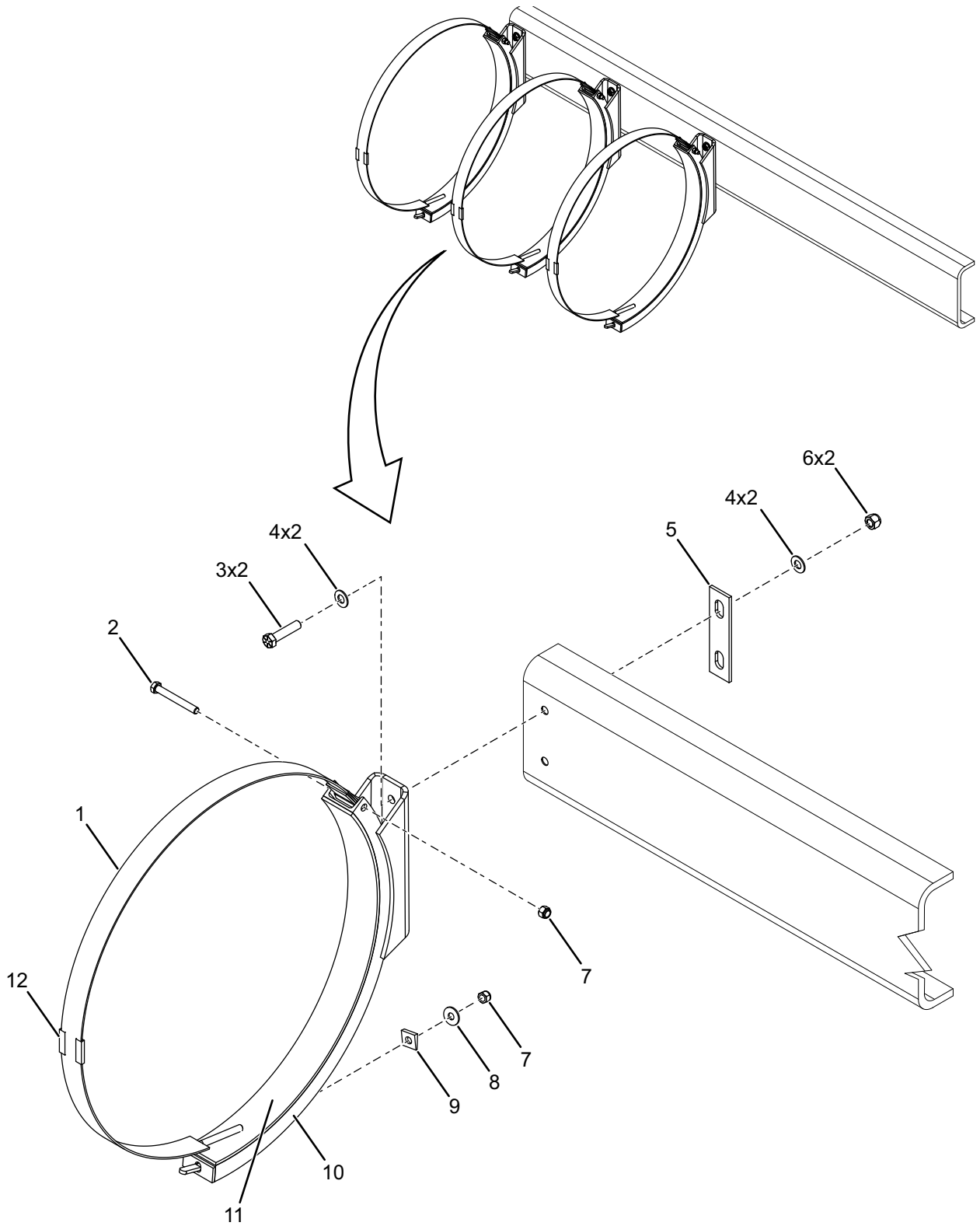
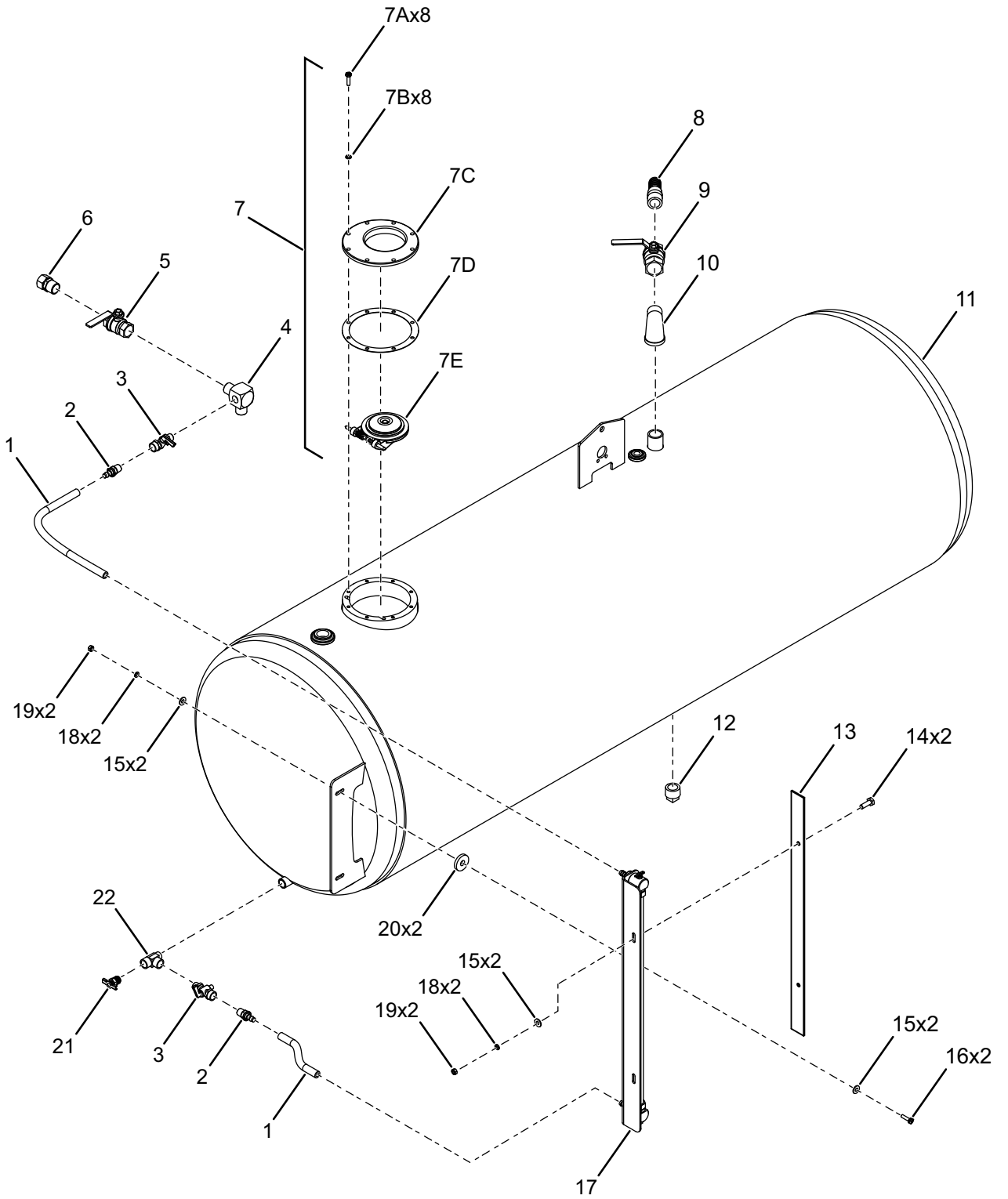


Illustration shown for only one side mount water tank cradle.



30" DIA. WATER TANK-OVER 150 USG

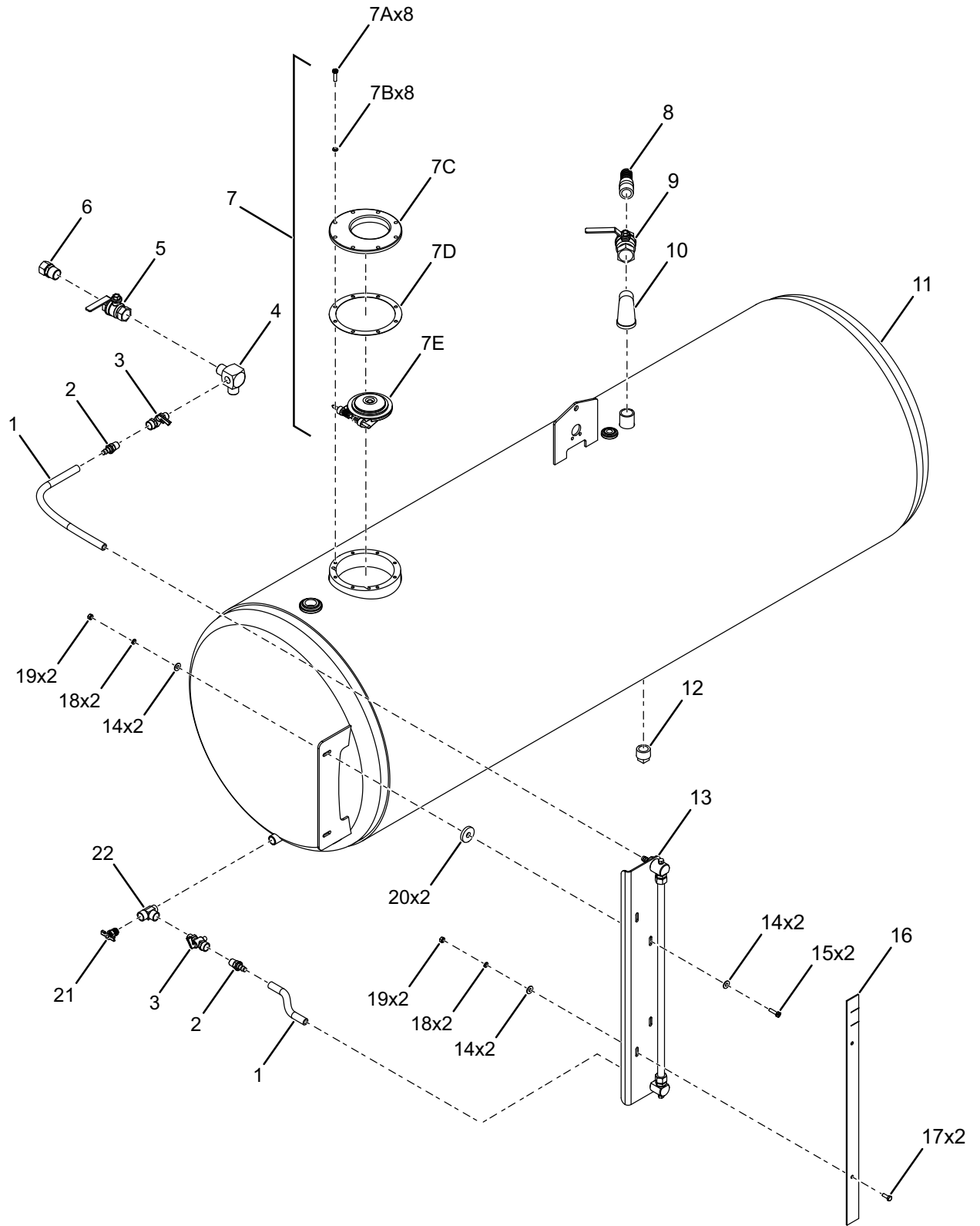
ITEM	PART #	PART DESCRIPTION	UOM	QTY
1	MC-41882-04	30" GEARBOX MOUNT WATER TANK STRAP	EA	3
2	HH-00293-100	HEX HD CAP SCREW 1/2" UNC X 4"	EA	3
3	1136866	SCR, CAP, HEX .62 - 11X2.75 G8 ZY	EA	6
4	0100565	WASH, FLT .62X1.31X.12 ZY HDN	EA	12
5	MA-42881	SPACER, FRAME BRACKET (OPTIONAL)	EA	3
6	0005341	NUT, HEX, LKDT .62 - 11 GC ZC	EA	6
7	HH-00340-003	1/2" UNC NY/LK NUT	EA	6
8	HH-00341-006	1/2 FLAT WASHER	EA	3
9	1628391	BEVELED WASHER 1/2" DIA	EA	3
10	MD-35482-03	WATER TANK CRADLE 30"	EA	3
11	HH-01020-003	RUBBER STRAPPING	EA	3
12	HH-00739-013	CHANNEL, WATER TNK STRAP 57.5" LG	EA	3





24" WATER TANK ASSEMBLY STEEL SM

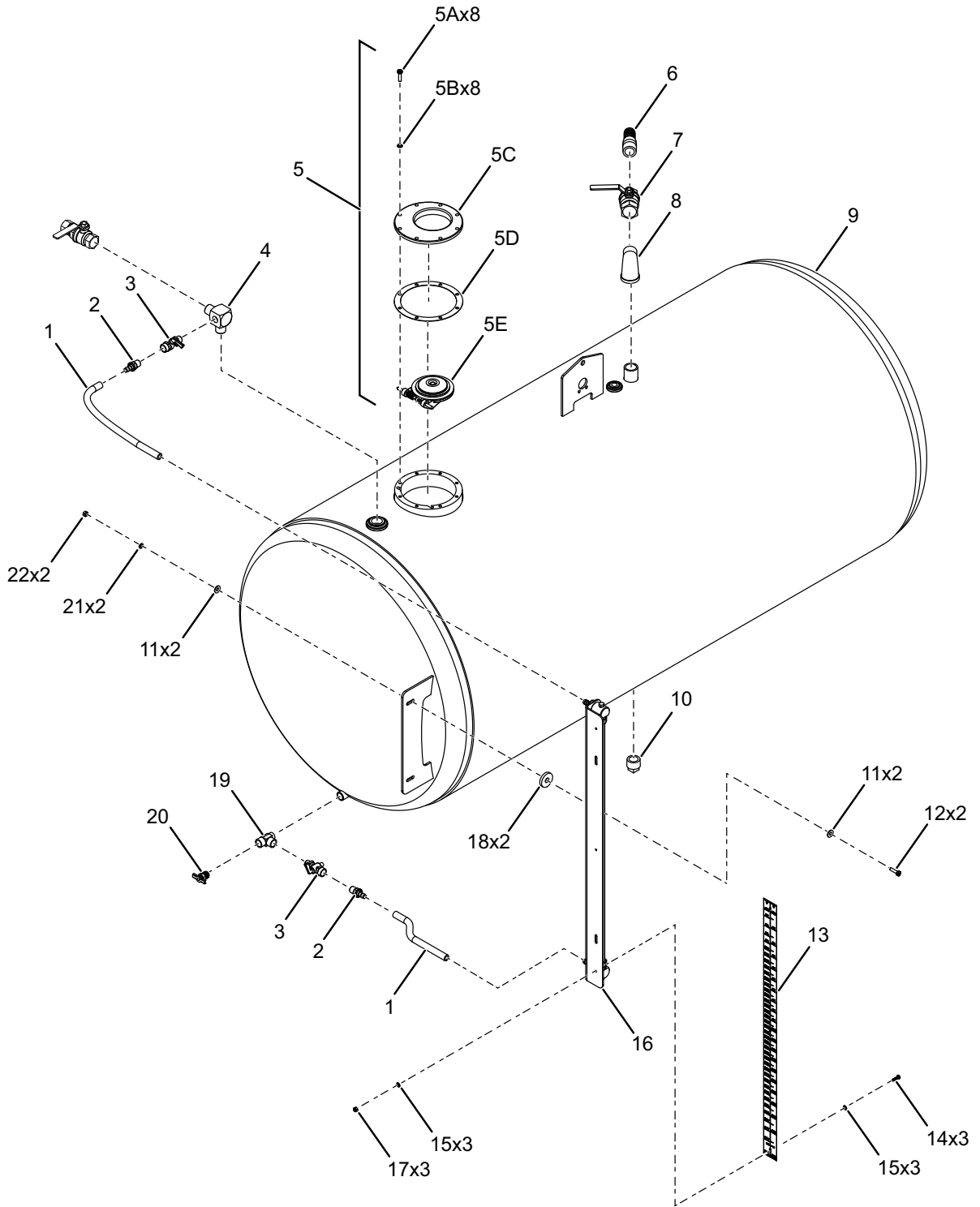
ITEM	PART #	PART DESCRIPTION	UOM	QTY
1	HH-00876-002	3/8" HOSE X A/R, PUSH-LOK	EA	2
2	HH-00425-004	3/8 NPT X 3/8 HOSE BARB END	EA	2
3	HH-00878-004	DRAIN COCK 3/8 NPT	EA	2
4	MA-41015	3/4 NPT ELBOW (MACHINED)	EA	1
5	HH-00975-004	BALL VALVE - 3/4 NPT	EA	1
6	HH-01096-030	3/4 NPT - 3/4 TUBE CONNECTOR	EA	1
7	MB-41614	WATER TANK COVER INSTL.	EA	1
7A	1134368	SCR, CAP, HEX .25 - 20X1.00 G8 ZY	EA	8
7B	HH-00-234-004	1/4 SS LOCK WASHER	EA	8
7C	MC-34960	HINGE COVER SUPPORT	EA	1
7D	MA-33603	GASKET	EA	1
7E	MB-33606	WATER TANK COVER ASSEMBLY	EA	1
8	HH-00600-004	1 NPT COMBINATION NIPPLE	EA	1
9	HH-00975-005	BALL VALVE - 1 NPT	EA	1
10	HH-00048-006	1 NPT 90 STRT. ELBOW	EA	1
11	MD-39043-01	570L/50 USG 24" STEEL WATER TANK WELDMENT	EA	1
11	MD-39043-02	470L/125 USG 24" STEEL WATER TANK WELDMENT	EA	1
11	MD-39043-03	380L/100 USG 24" STEEL WATER TANK WELDMENT	EA	1
11	MD-39043-04	340L/90 USG 24" STEEL WATER TANK WELDMENT	EA	1
12	HH-00038-021	1 NPT BRASS PLUG	EA	1
13	MD-38328	570L/50 USG WATER SCALE, 580 LITRE, 24"	EA	1
13	MD-38326	470L/125 USG WATER SCALE, 580 LITRE, 24"	EA	1
13	MD-38345	380L/100 USG WATER SCALE, 580 LITRE, 24"	EA	1
13	MD-37859	340L/90 USG WATER SCALE, 580 LITRE, 24"	EA	1
14	HH-00300-003	1/4 UNC X 3/4 SS BOLT	EA	2
15	HH-00341-002	1/4 FLAT WASHER	EA	6
16	HH-00293-006	1/4 UNC X 1 BOLT GR.5	EA	2
17	MB-42656	24IN SCALE BRKT ASSY - SM	EA	1
18	HH-00457-006	WASH, SPR, SPT. 25X.50X.06 ZC	EA	4
19	HH-00294-001	1/4 UNC HEX NUT GR.5	EA	4
20	HH-00078-003	1/2 ID X 1.1/2 OD RUBBER WASH.	EA	2
21	HH-00979-004	3/8 NPT DRAIN COCK	EA	1
22	HH-00980-003	3/8 NPT SERVICE TEE - BRASS	EA	1





24" WATER TANK ASSEMBLY STEEL CM

ITEM	PART #	PART DESCRIPTION	UOM	QTY
1	HH-00876-002	3/8" HOSE X A/R, PUSH-LOK	EA	2
2	HH-00425-004	3/8 NPT X 3/8 HOSE BARB END	EA	2
3	HH-00878-004	DRAIN COCK 3/8 NPT	EA	2
4	MA-41015	3/4 NPT ELBOW (MACHINED)	EA	1
5	HH-00975-004	BALL VALVE - 3/4 NPT	EA	1
6	HH-01096-030	3/4 NPT - 3/4 TUBE CONNECTOR	EA	1
7	MB-41614	WATER TANK COVER INSTL.	EA	1
7A	1134368	SCR, CAP, HEX .25 - 20X1.00 G8 ZY	EA	8
7B	HH-00-234-004	1/4 SS LOCK WASHER	EA	8
7C	MC-34960	HINGE COVER SUPPORT	EA	1
7D	MA-33603	GASKET	EA	1
7E	MB-33606	WATER TANK COVER ASSEMBLY	EA	1
8	HH-00600-004	1 NPT COMBINATION NIPPLE	EA	1
9	HH-00975-005	BALL VALVE - 1 NPT	EA	1
10	HH-00048-006	1 NPT 90 STRT. ELBOW	EA	1
11	MD-39043-01	570L/50 USG 24" STEEL WATER TANK WELDMENT	EA	1
11	MD-39043-02	470L/125 USG 24" STEEL WATER TANK WELDMENT	EA	1
11	MD-39043-03	380L/100 USG 24" STEEL WATER TANK WELDMENT	EA	1
11	MD-39043-04	340L/90 USG 24" STEEL WATER TANK WELDMENT	EA	1
12	HH-00038-021	1 NPT BRASS PLUG	EA	1
13	MB-42659	24IN SCALE BRKT ASSY - SM	EA	1
14	HH-00341-002	1/4 FLAT WASHER	EA	6
15	HH-00293-006	1/4 UNC X 1 BOLT GR.5	EA	2
16	MD-38328	570L/50 USG WATER SCALE, 580 LITRE, 24"	EA	1
16	MD-38326	470L/125 USG WATER SCALE, 580 LITRE, 24"	EA	1
16	MD-38345	380L/100 USG WATER SCALE, 580 LITRE, 24"	EA	1
16	MD-37859	340L/90 USG WATER SCALE, 580 LITRE, 24"	EA	1
17	HH-00300-003	1/4 UNC X 3/4 SS BOLT	EA	2
18	HH-00457-006	WASH, SPR, SPT. 25X.50X.06 ZC	EA	4
19	HH-00294-001	1/4 UNC HEX NUT GR.5	EA	4
20	HH-00078-003	1/2 ID X 1.1/2 OD RUBBER WASH.	EA	2
21	HH-00979-004	3/8 NPT DRAIN COCK	EA	1
22	HH-00980-003	3/8 NPT SERVICE TEE - BRASS	EA	1





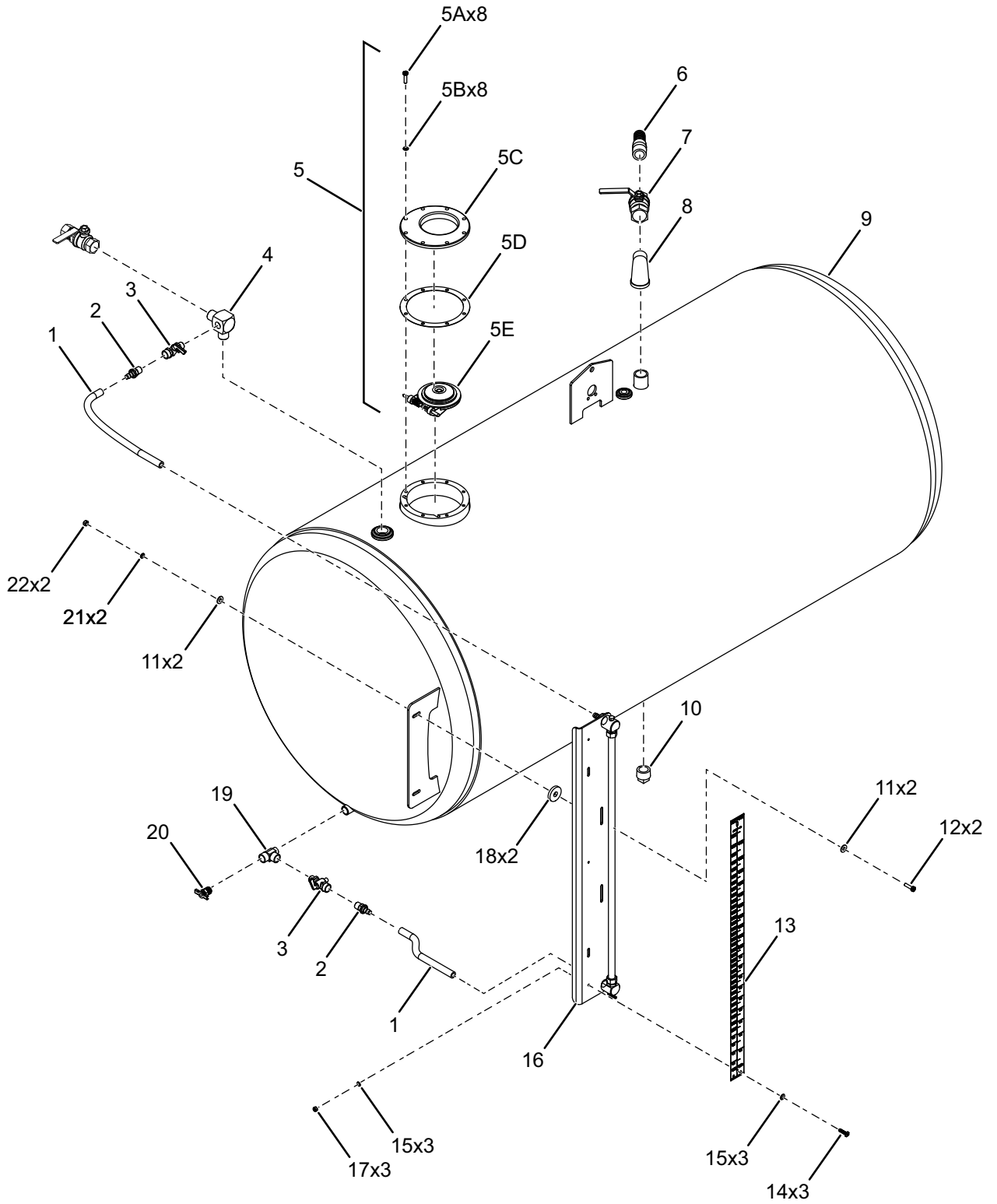
30" WATER TANK ASSEMBLY STEEL SM

ITEM	PART #	PART DESCRIPTION	UOM	QTY
1	HH-00876-002	3/8" HOSE X A/R, PUSH-LOK	EA	2
2	HH-00425-004	3/8 NPT x 3/8 HOSE BARB END	EA	2
3	HH-00878-004	DRAIN COCK 3/8 NPT	EA	2
4	MA-41015	3/4 NPT ELBOW (MACHINED)	EA	1
5	MB-41614	WATER TANK COVER INSTL.	EA	1
5A	1134368	SCR, CAP, HEX .25 - 20X1.00 G8 ZY	EA	8
5B	HH-00-234-004	1/4 SS LOCK WASHER	EA	8
5C	MC-34960	HINGE COVER SUPPORT	EA	1
5D	MA-33603	GASKET	EA	1
5E	MB-33606	WATER TANK COVER ASSEMBLY	EA	1
6	MA-35114	KING COUPLING 1" NPT	EA	1
7	HH-00975-005	BALL VALVE - 1 NPT	EA	1
8	HH-00048-006	1 NPT 90 STRT. ELBOW	EA	1
9	MD-35696-01	30" STEEL TANK 200 USG/755 LTR	EA	1
9	MD-35696-02	30" STEEL TANK 150 USG/580 LTR	EA	1
9	MD-35696-03	30" STEEL TANK 125 USG/480 LTR	EA	1
9	MD-35696-04	30" STEEL TANK 100 USG/380 LTR	EA	1
9	MD-35696-10	30" STEEL TANK 75 USG/290 LTR	EA	1
10	HH-00038-006	1 NPT PLUG	EA	1
11	HH-00341-002	1/4 FLAT WASHER	EA	4
12	HH-00293-006	1/4 UNC X 1 BOLT GR.5	EA	2
13	1580407	30" 200G/757L WATER TANK SCALE (SIDE MOUNT)	EA	1
13	1580406	30" 150G/568L WATER TANK SCALE (SIDE MOUNT)	EA	1
13	1580405	30" 125G/473L WATER TANK SCALE (SIDE MOUNT)	EA	1
13	1580404	30" 100G/379L WATER TANK SCALE (SIDE MOUNT)	EA	1
13	1580403	30" 75G/284L WATER TANK SCALE (SIDE MOUNT)	EA	1
14	FN1172442	#10 - 24 PAN HEAD SCREW X 3/4" LG SST	EA	3
15	FN1171009	#10 FLAT WASHER SST	EA	6
16	MB-42657	30" SIDE MOUNT W/T SCALE BRACK	EA	1
17	FN1170857	#10 - 24 NUT NYLOCK SST	EA	3
18	HH-00078-003	1/2 ID x 1.1/2 OD RUBBER WASH.	EA	2
19	HH-00980-003	3/8 NPT SERVICE TEE - BRASS	EA	1
20	HH-00979-004	3/8 NPT DRAIN COCK	EA	1



30" WATER TANK ASSEMBLY STEEL SM

ITEM	PART #	PART DESCRIPTION	UOM	QTY
21	HH-00457-006	WASH, SPR, SPT .25X.50X.06 ZC	EA	2
22	HH-00294-001	1/4 UNC HEX NUT GR.5	EA	2





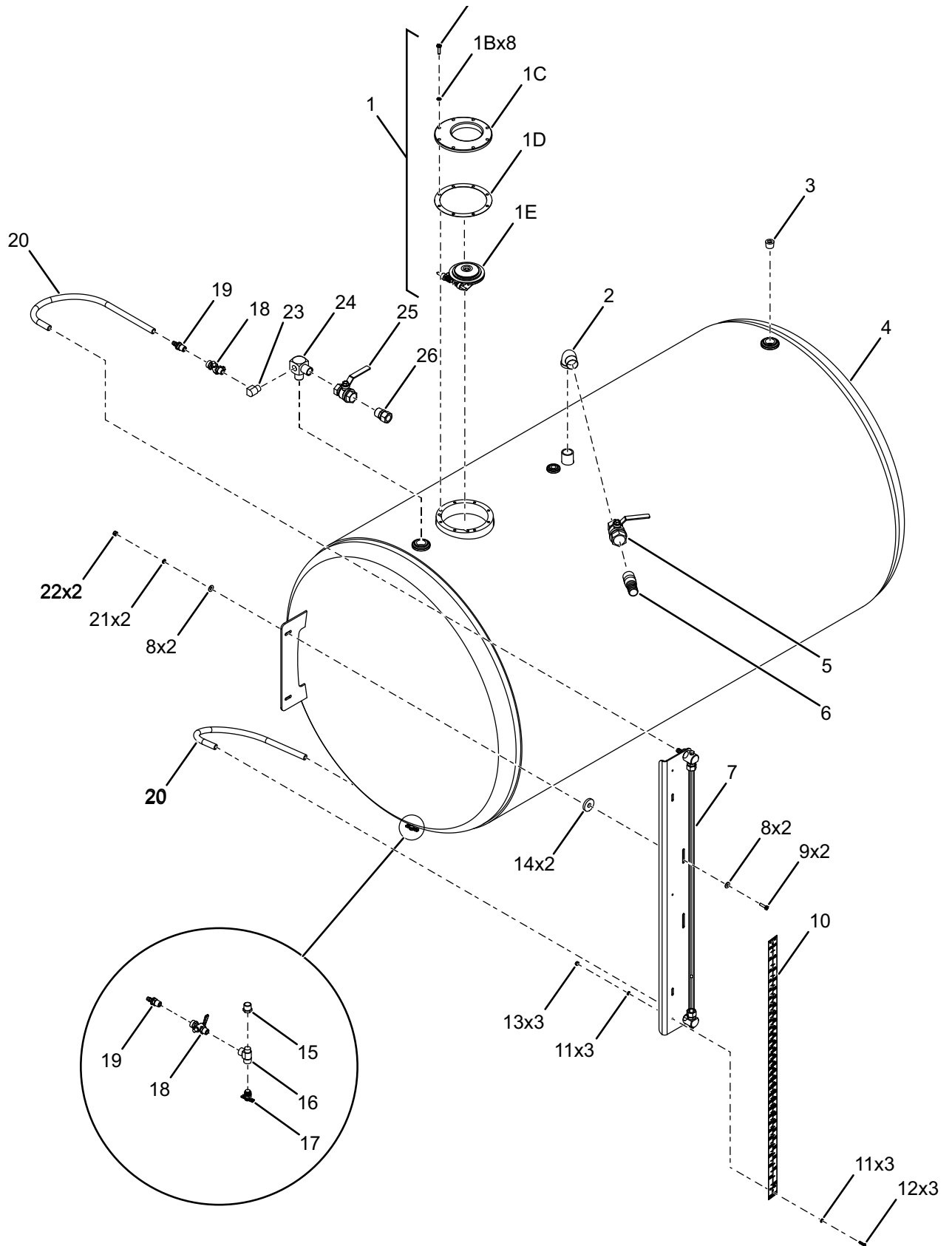
30" WATER TANK ASSEMBLY STEEL CM

ITEM	PART #	PART DESCRIPTION	UOM	QTY
1	HH-00876-002	3/8" HOSE X A/R, PUSH-LOK	EA	2
2	HH-00425-004	3/8 NPT x 3/8 HOSE BARB END	EA	2
3	HH-00878-004	DRAIN COCK 3/8 NPT	EA	2
4	MA-41015	3/4 NPT ELBOW (MACHINED)	EA	1
5	MB-41614	WATER TANK COVER INSTL.	EA	1
5A	1134368	SCR, CAP, HEX .25 - 20X1.00 G8 ZY	EA	8
5B	HH-00-234-004	1/4 SS LOCK WASHER	EA	8
5C	MC-34960	HINGE COVER SUPPORT	EA	1
5D	MA-33603	GASKET	EA	1
5E	MB-33606	WATER TANK COVER ASSEMBLY	EA	1
6	MA-35114	KING COUPLING 1" NPT	EA	1
7	HH-00975-005	BALL VALVE - 1 NPT	EA	1
8	HH-00048-006	1 NPT 90 STRT. ELBOW	EA	1
9	MD-35696-05	30" ST WTR TNK WELD'T 200GA	EA	1
9	MD-35696-06	30" ST WTR TNK WELD'T 150GA	EA	1
9	MD-35696-07	30" ST WTR TNK WELD'T 125GA	EA	1
9	MD-35696-08	30" ST WTR TNK WELD'T 100GA	EA	1
10	HH-00038-006	1 NPT PLUG	EA	1
11	HH-00341-002	1/4 FLAT WASHER	EA	4
12	HH-00293-006	1/4 UNC X 1 BOLT GR.5	EA	2
13	1580407	30" 200G/757L WATER TANK SCALE (CROSS MOUNT)	EA	1
13	1580406	30" 150G/568L WATER TANK SCALE (CROSS MOUNT)	EA	1
13	1580405	30" 125G/473L WATER TANK SCALE (CROSS MOUNT)	EA	1
13	1580404	30" 100G/379L WATER TANK SCALE (CROSS MOUNT)	EA	1
14	FN1172442	#10 - 24 PAN HEAD SCREW X 3/4" LG SST	EA	3
15	FN1171009	#10 FLAT WASHER SST	EA	6
16	MB-42660	30" C.M. WATERTANK SCALE BRKT	EA	1
17	FN1170857	#10 - 24 NUT NYLOCK SST	EA	3
18	HH-00078-003	1/2 ID x 1.1/2 OD RUBBER WASH.	EA	2
19	HH-00980-003	3/8 NPT SERVICE TEE - BRASS	EA	1



30" WATER TANK ASSEMBLY STEEL CM

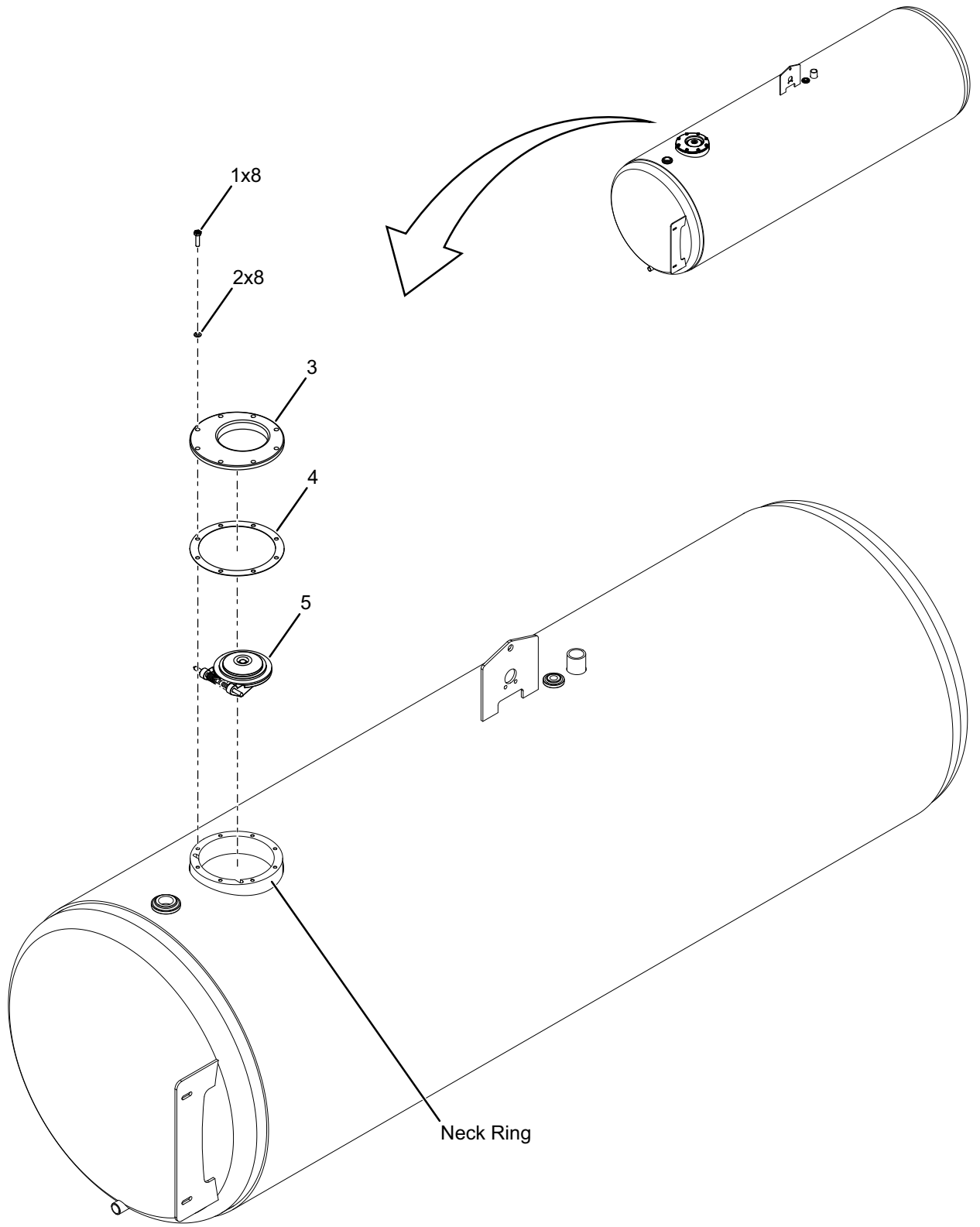
ITEM	PART #	PART DESCRIPTION	UOM	QTY
20	HH-00979-004	3/8 NPT DRAIN COCK	EA	1
21	HH-00457-006	WASH, SPR, SPT .25X.50X.06 ZC	EA	2
22	HH-00294-001	1/4 UNC HEX NUT GR.5	EA	2





36" WATER TANK ASSEMBLY STEEL

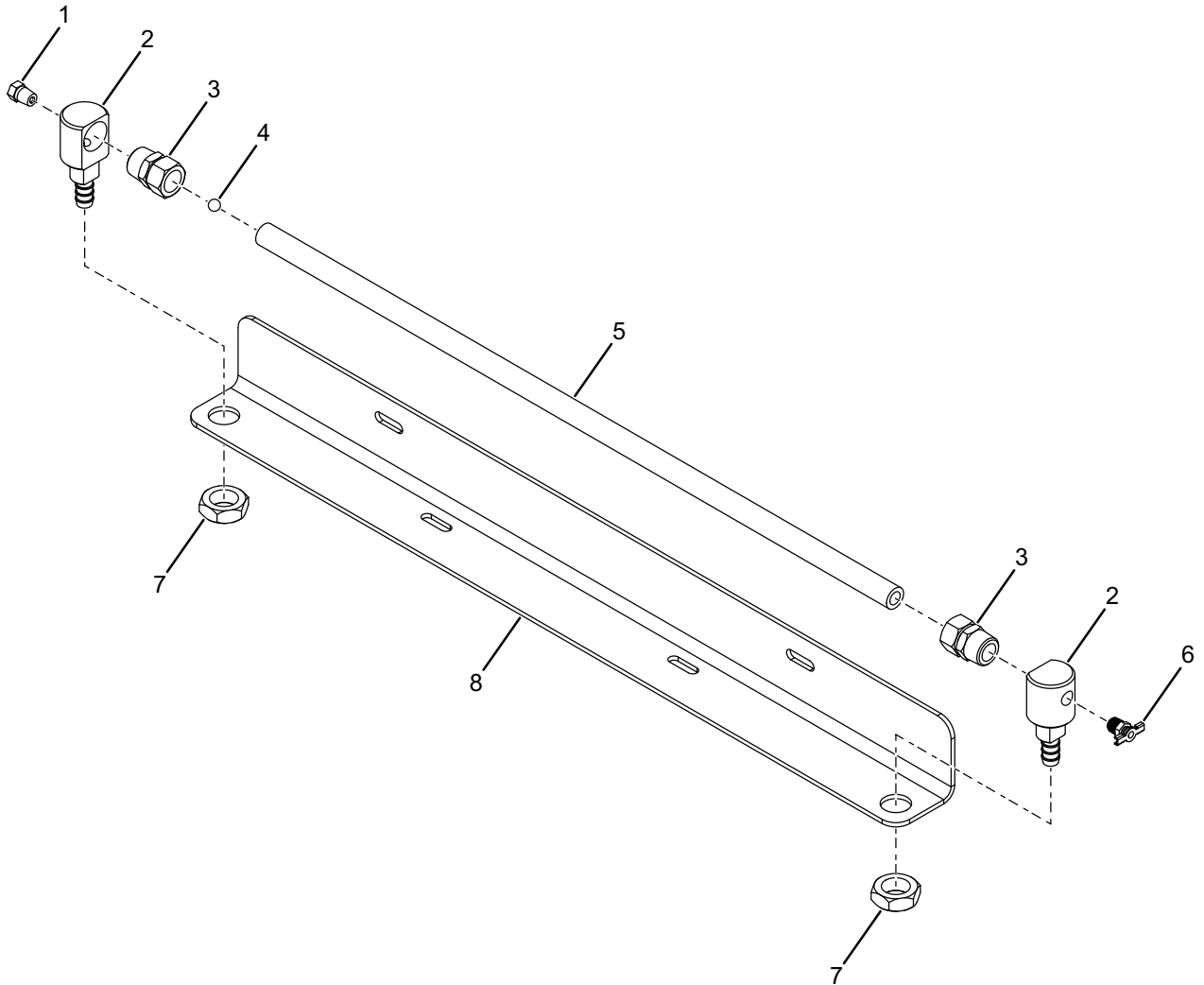
ITEM	PART #	PART DESCRIPTION	UOM	QTY
1	MB-41614	WATER TANK COVER INSTL.	EA	1
1A	1134368	SCR, CAP, HEX .25 - 20X1.00 G8 ZY	EA	8
1B	HH-00-234-004	1/4 SS LOCK WASHER	EA	8
1C	MC-34960	HINGE COVER SUPPORT	EA	1
1D	MA-33603	GASKET	EA	1
1E	MB-33606	WATER TANK COVER ASSEMBLY	EA	1
2	HH-00048-006	1 NPT 90 STRT. ELBOW	EA	1
3	HH-00483-006	3/4 NPT ALLEN HD. PLUG	EA	1
4	MD-41197-25	WATER TANK WELD'T 36" DIA. 250"	EA	1
4	MD-41197-30	WATER TANK WELDMENT 36" DIA. 300"	EA	1
5	HH-00975-005	BALL VALVE - 1 NPT	EA	1
6	HH-00600-004	1 NPT COMBINATION NIPPLE	EA	1
7	MB-42661	36" SCALE BRKT. ASY. X - MNT	EA	1
8	HH-00341-002	1/4 FLAT WASHER	EA	4
9	HH-00293-006	1/4 UNC X 1 BOLT GR.5	EA	2
10	1580409	250 US. GAL./946L 36" WATER TANK SCALE	EA	1
10	1580410	300 US. GAL./1135L 36" WATER TANK SCALE	EA	1
11	FN1171009	#10 FLAT WASHER SST	EA	6
12	FN1172442	#10 - 24 PAN HEAD SCREW X 3/4" LG SST	EA	3
13	FN1170857	#10 - 24 NUT NYLOCK SST	EA	3
14	HH-00078-003	1/2 ID x 1.1/2 OD RUBBER WASH.	EA	2
15	HH-00088-004	1/2 - 3/8 NPT REDUCER BUSHING	EA	1
16	HH-00980-003	3/8 NPT SERVICE TEE - BRASS	EA	1
17	HH-00979-004	3/8 NPT DRAIN COCK	EA	1
18	HH-00878-004	DRAIN COCK 3/8 NPT	EA	2
19	HH-00425-004	3/8 NPT x 3/8 HOSE BARB END	EA	2
20	HH-00876-002	3/8" HOSE X A/R, PUSH - LOK	EA	2
21	HH-00457-006	WASH, SPR, SPT .25X.50X.06 ZC	EA	2
22	HH-00340-016	1/4 UNC NYL. NUT GR.5	EA	2
23	HH-01051-003	3/8 NPT BRASS ELBOW	EA	1
24	MA-41015	3/4 NPT ELBOW (MACHINED)	EA	1
25	HH-00975-004	BALL VALVE - 3/4 NPT	EA	1
26	HH-01096-030	3/4 NPT - 3/4 TUBE CONNECTOR	EA	1





WATER TANK COVER INSTL.

ITEM	PART #	PART DESCRIPTION	UOM	QTY
1	1134368	SCR, CAP, HEX .25 - 20X1.00 G8 ZY	EA	8
2	HH-00243-004	1/4 SS LOCK WASHER	EA	8
3	MC-34960	HINGE COVER SUPPORT	EA	1
4	MA-33603	GASKET	EA	1
5	MB-33606	WATER TANK COVER ASSEMBLY	EA	1
		*THE NECK RING PART NUMBER 1465684 IS FOR ALUMINIUM TANK AND MB-33597 IS FOR STEEL TANK.		



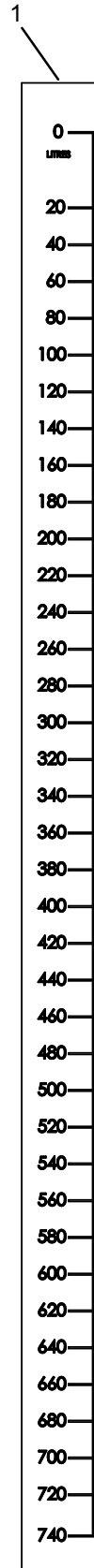


24" SCALE BRACKET ASSEMBLY SM

ITEM	PART #	PART DESCRIPTION	UOM	QTY
1	HH-01161-001	1/8 NPT BRASS PLUG	EA	1
2	0152774	SIGHT GLASS MT W/ BARBS	EA	2
3	0101563	5/8 TUBE TO 1/2 PIPE MALE CONN	EA	2
4	0115908	BALL, FLOATING, SIGHT GLASS	EA	1
5	HH-00269-019	GLASS TUBE - 23.1/2" LG.	EA	1
6	0201600	VLV, DRAIN, 1/8 MNPT, BRASS, T HDL	EA	1
7	HH-01156-003	3/4 UNF JAM NUT GR. 5	EA	2
8	MA-42655-01	24" WATER TANK SCALE BRACKET	EA	1



SCALE, WATER, 760LTR, 30.00, LMI



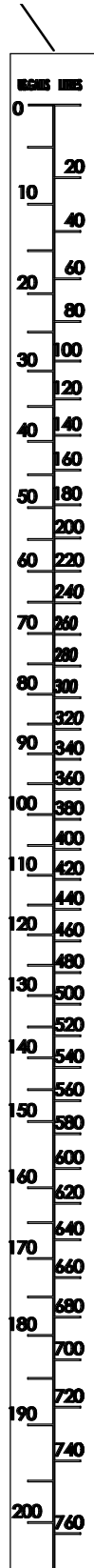


SCALE, WATER, 760LTR, 30.00, LMI

ITEM	PART #	PART DESCRIPTION	UOM	QTY
1	MD-35640	SCALE, WTR, 760LTR, 30.00, LMI	EA	1



WATER TANK 30 DIA. DUAL SCALE



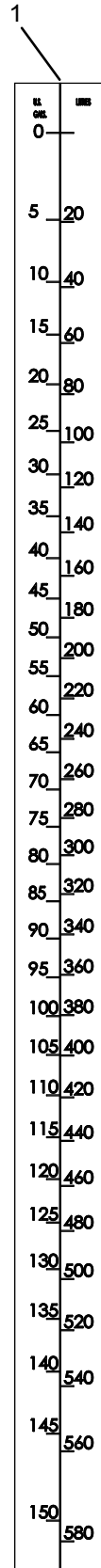


WATER TANK 30 DIA. DUAL SCALE

ITEM	PART #	PART DESCRIPTION	UOM	QTY
1	MD-41361	WATER TANK 30" DIA. DUAL SCALE	EA	1



WATER TANK 30 DIA. DUAL SCALE

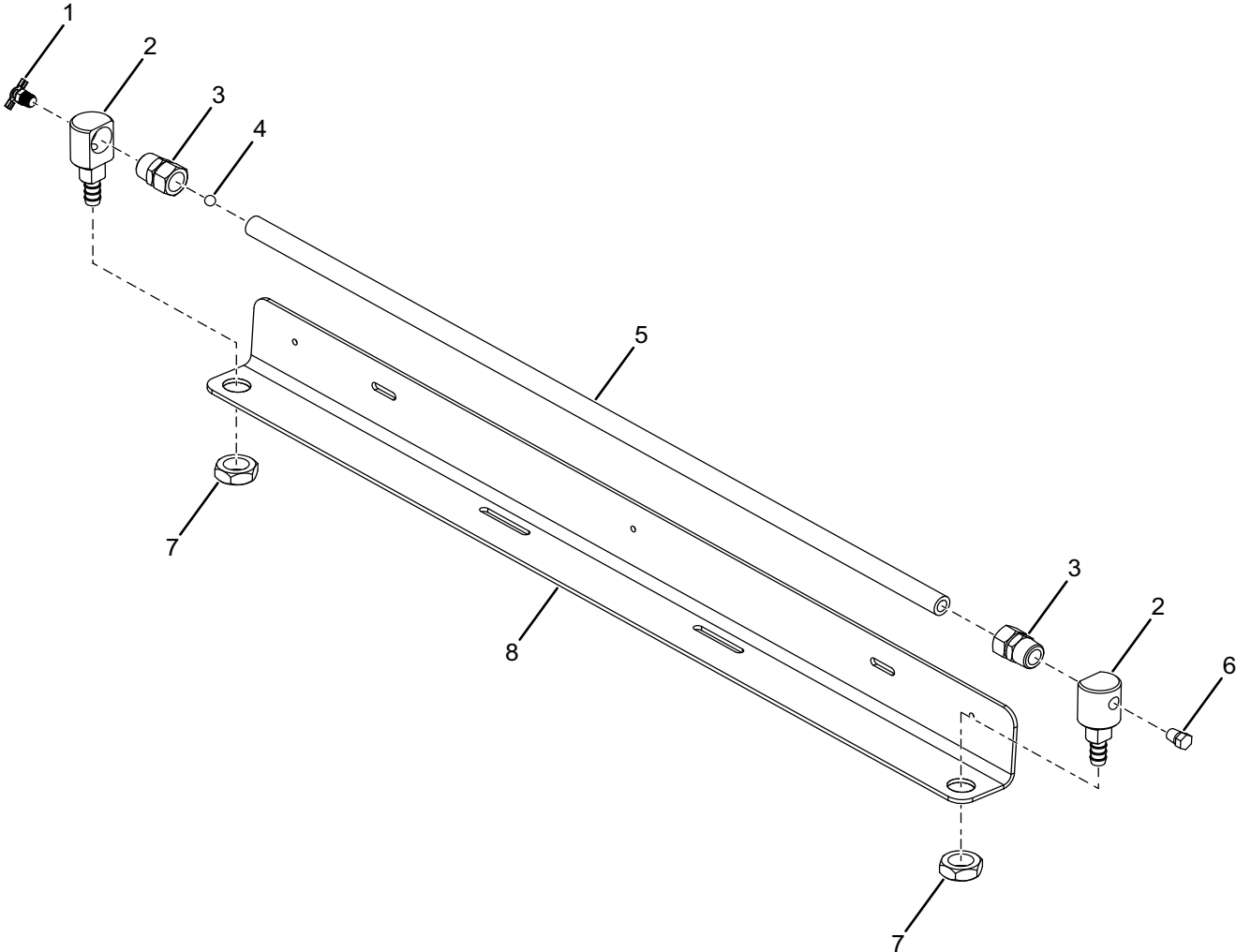




WATER TANK 30 DIA. DUAL SCALE

ITEM	PART #	PART DESCRIPTION	UOM	QTY
1	MD-41360	WATER TANK 30" DIA. DUAL SCALE	EA	1

30" SIDE MOUNT WATER TANK SCALE BRACKET

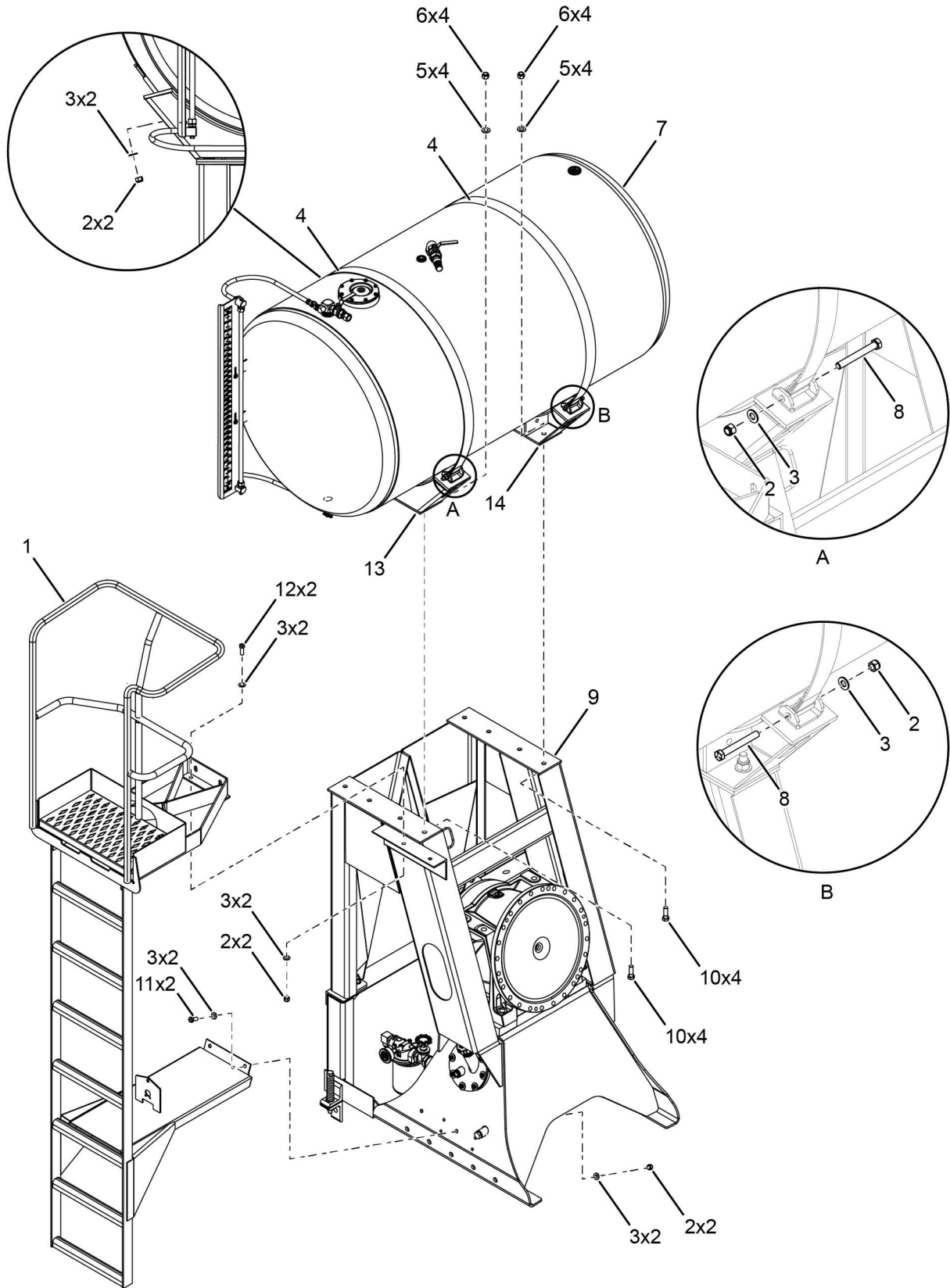




30" SIDE MOUNT WATER TANK SCALE BRACKET

ITEM	PART #	PART DESCRIPTION	UOM	QTY
1	0201600	VLV, DRAIN, 1/8 MNPT BRASS, T HDL	EA	1
2	0152774	SIGHT GLASS MT W/ BARBS	EA	2
3	0101563	5/8 TUBE TO 1/2 PIPE MALE CONN	EA	2
4	0115908	BALL, FLOATING, SIGHT GLASS	EA	1
5	HH-00269-022	GLASS TUBE - 35" LG.	EA	1
6	HH-01161-001	1/8 NPT BRASS PLUG	EA	1
7	HH-01156-003	3/4 UNF JAM NUT GR. 5	EA	2
8	MB-42655-02	TANK SCALE BRKT - 30"	EA	1

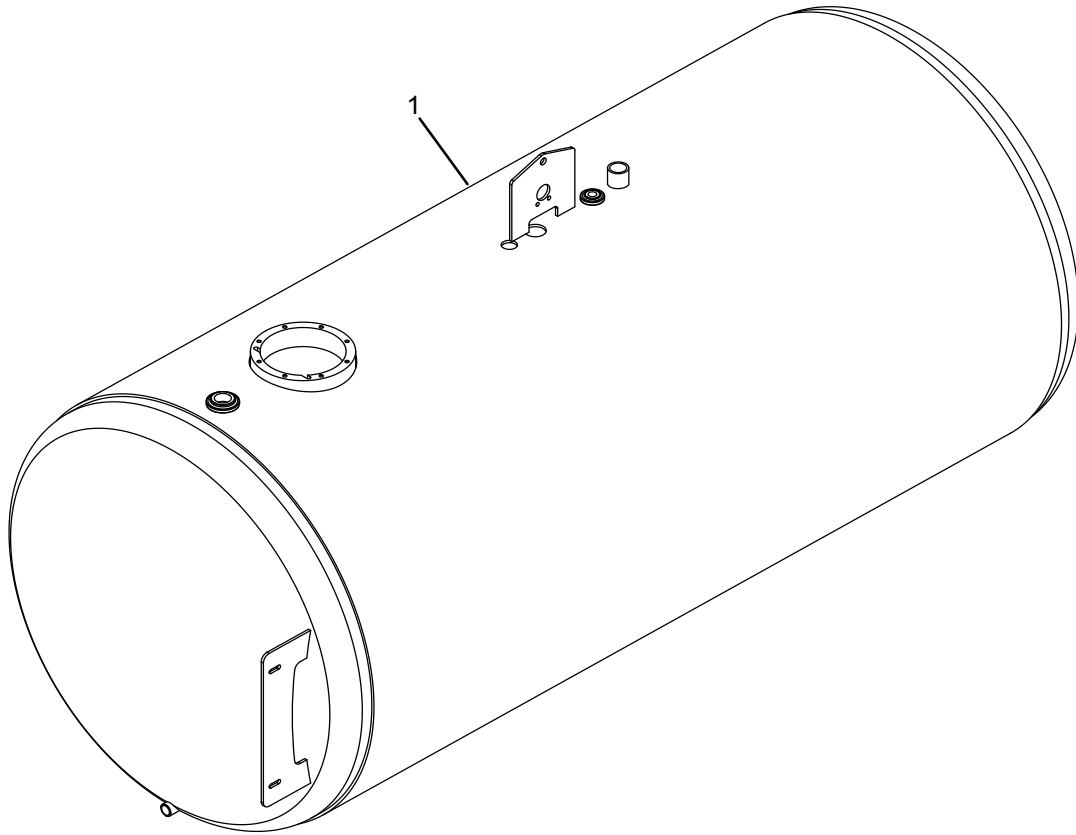
OVERHEAD WATER TANK INSTALLATION





OVERHEAD WATER TANK INSTALLATION

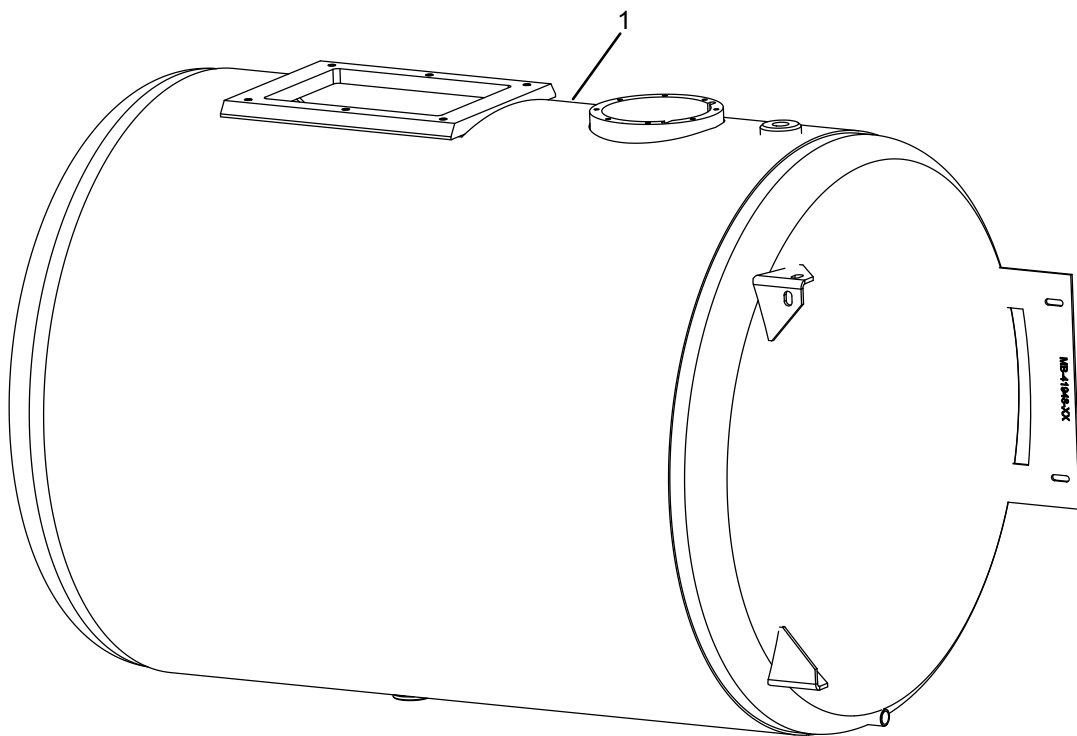
ITEM	PART #	PART DESCRIPTION	UOM	QTY
1	MC-41253	LADDER PLATFORM WELD'T	EA	1
2	HH-00340-003	1/2" UNC NY/LK NUT	EA	8
3	0120279	WASH, FLT .50X1.06X.12 ZY HDN	EA	12
4	MC-41882-06	36" HI. OV. GEARBOX MT. WATERTANK	EA	2
4	MC-41882-04	30" HI. OV. GEARBOX MT. WATERTANK	EA	2
5	0100565	WASH, FLT .62X1.31X.12 ZY HDN	EA	8
6	HH-00340-005	5/8 UNC NYLOCK NUT	EA	8
7	MD-41198	36" WATER TANK ASSY.	EA	REF.
7	MD-35708-06	30" WATER TANK ASSY.	EA	REF.
8	1136719	SCR, CAP, HEX .50 - 13X4.00 G5 ZC	EA	2
9	MD-41268	HIGH OVER HEAD 30"	EA	1
10	HH-00293-130	5/8 UNC X 2 GR.5 BOLT	EA	8
11	1136708	SCR, CAP, HEX .50 - 13X1.25 G5 ZC	EA	2
12	1136709	SCR, CAP, HEX .50 - 13X1.50 G5 ZC	EA	2
13	MC-41188-02	OV - HD CRADLE WELD'T. - LH	EA	1
13	MC-41605-02	OV - HD CRADLE WELD'T. - LH	EA	1
14	MC-41188-01	OV - HD CRADLE WELD'T. - RH	EA	1
14	MC-41605-01	OV - HD CRADLE WELD'T. - RH	EA	1





30" STEEL WATER TANK WELD'T

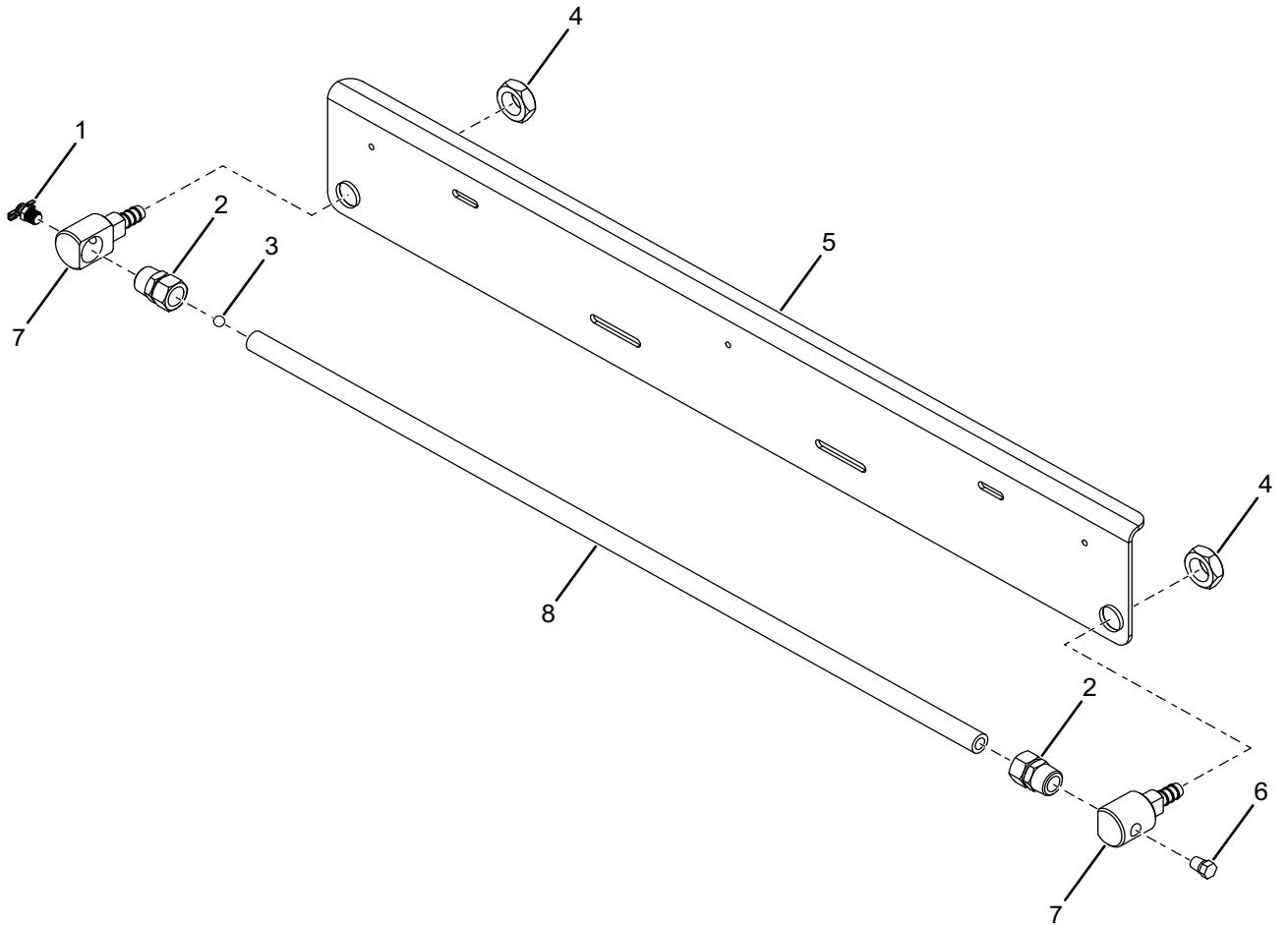
ITEM	PART #	PART DESCRIPTION	UOM	QTY
1	MD-35696-01	30" STEEL TANK 200 USG/755 LTR	EA	1
1	MD-35696-02	30" STEEL TANK 150 USG/580 LTR	EA	1
1	MD-35696-03	30" STEEL TANK 125 USG/480 LTR	EA	1
1	MD-35696-04	30" STEEL TANK 100 USG/380 LTR	EA	1
1	MD-35696-05	30" STEEL WATER TANK WELD'T 200 GA	EA	1
1	MD-35696-06	30" STEEL WATER TANK WELD'T 150 GA	EA	1
1	MD-35696-07	30" STEEL WATER TANK WELD'T 125 GA	EA	1
1	MD-35696-08	30" STEEL WATER TANK WELD'T 100 GA	EA	1





WATER TANK, 30", AL, HYD WATER PUMP

ITEM	PART #	PART DESCRIPTION	UOM	QTY
1	MB-41948-01	WTR TNK, 30", AL, HYD, 125 GA	EA	1
2	MB-41948-02	WTR TNK, 30", AL, HYD, 150 GA	EA	1
3	MB-41948-03	WTR TNK, 30", AL, HYD, 200 GA	EA	1



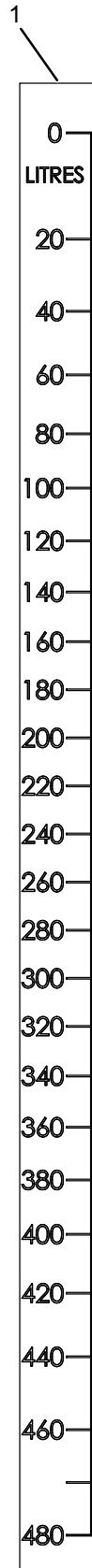


30 C.M. WATER TANK SCALE BRACKET

ITEM	PART #	PART DESCRIPTION	UOM	QTY
1	0201600	VLV, DRAIN, 1/8 MNPT, BRASS, T HDL	EA	1
2	0101563	5/8 TUBE TO 1/2 PIPE MALE CONN	EA	2
3	0115908	BALL, FLOATING, SIGHT GLASS	EA	1
4	HH-01156-003	3/4 UNF JAM NUT GR. 5	EA	2
5	MB-42658-02	X-MOUNT SCALE BRKT - 30"	EA	1
6	HH-01161-001	1/8 NPT BRASS PLUG	EA	1
7	0152774	SIGHT GLASS MT W/ BARBS	EA	2
8	HH-00269-022	GLASS TUBE - 35" L.G.	EA	1



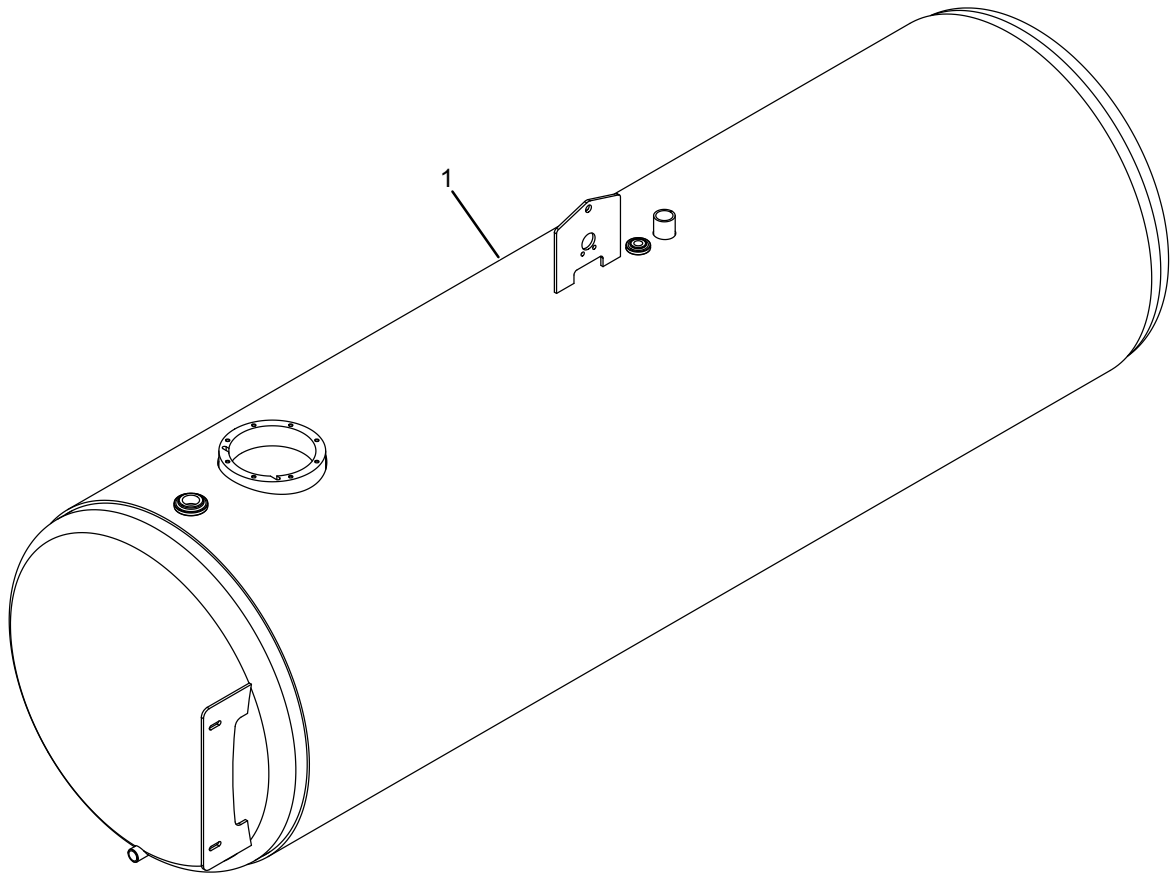
WATER TANK SCALE 480 LITRE 30"





WATER TANK SCALE 480 LITRE 30"

ITEM	PART #	PART DESCRIPTION	UOM	QTY
1	MD-35756	WATER TANK SCALE 480 LITRE 30"	EA	1



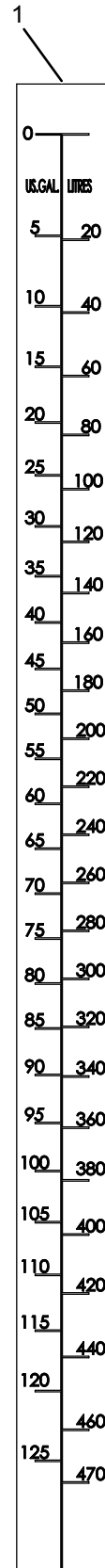


24" STEEL WATER TANK WELDMENT

ITEM	PART #	PART DESCRIPTION	UOM	QTY
1	MD-39043-01	24" STEEL 150 USG/570 LTR. TANK	EA	1
1	MD-39043-02	24" STEEL 125 USG/470 LTR. TANK	EA	1
1	MD-39043-03	24" STEEL 100 USG/380 LTR. TANK	EA	1
1	MD-39043-04	24" STEEL 90 USG/340 LTR. TANK	EA	1
1	MD-39043-05	24" STEEL 150 USG/570 LTR. TANK	EA	1
1	MD-39043-06	24" STEEL 125 USG/470 LTR. TANK	EA	1
1	MD-39043-07	24" STEEL 100 USG/380 LTR. TANK	EA	1
1	MD-39043-08	24" STEEL 90 USG/340 LTR. TANK	EA	1



SCALE, WATER, DUAL, 470LTR/125USG, 3



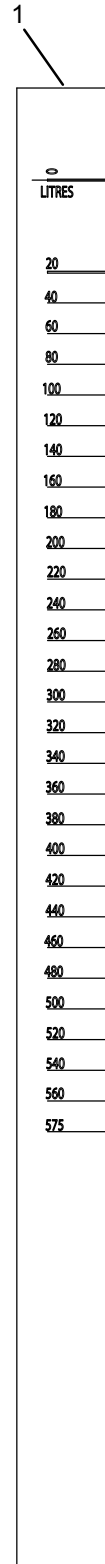


SCALE, WATER, DUAL, 470LTR/125USG, 3

ITEM	PART #	PART DESCRIPTION	UOM	QTY
1	MD-41359	SCALE, WTR, DUAL, 470LTR/125USG, 3	EA	1



WATER SCALE, 580 LITRE, 24"

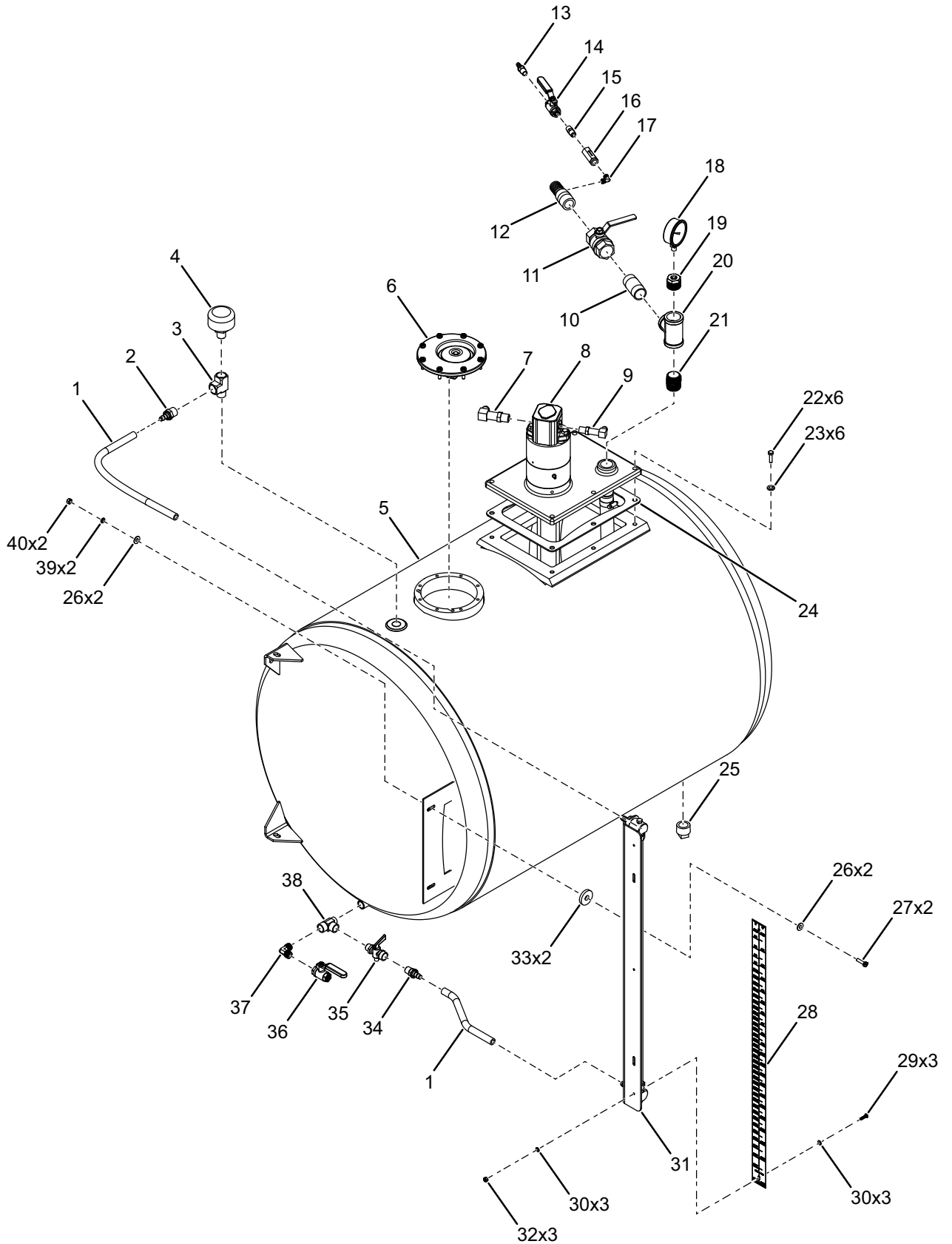




WATER SCALE, 580 LITRE, 24"

ITEM	PART #	PART DESCRIPTION	UOM	QTY
1	MD-38328	WATER SCALE, 580 LITRE, 24"	EA	1

30" ALUM TANK ASS'Y - HWP, SIDE MNT





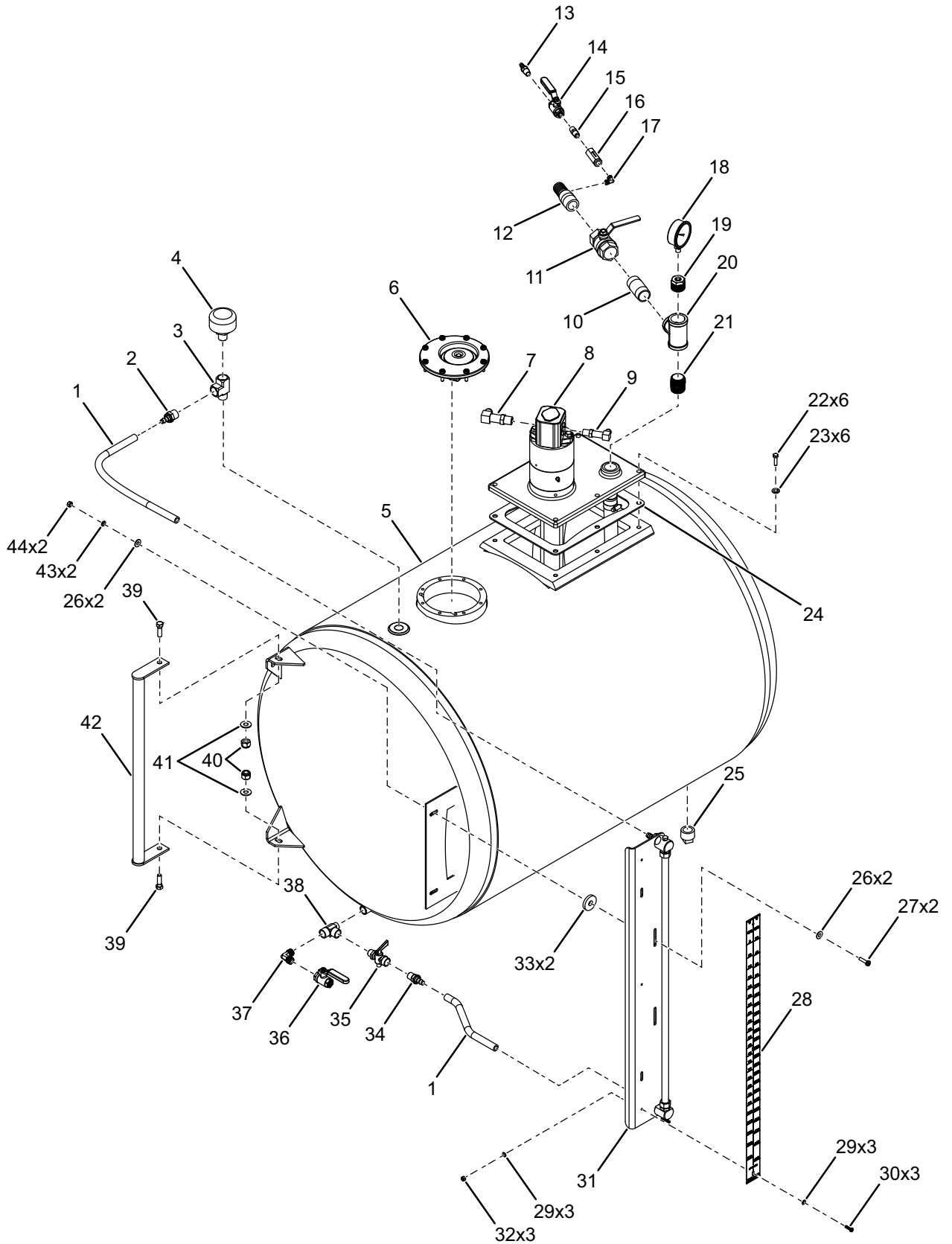
30" ALUM TANK ASS'Y - HWP, SIDE MNT

ITEM	PART #	PART DESCRIPTION	UOM	QTY
1	HH-00876-002	HOSE, PUSHLOCK .38 TYPE 801 BULK	EA	2
2	HH-00425-005	FTG, ST 08 NPT - 06 BARB MM EXHEX	EA	1
3	HH-00980-004	FTG, T 8 NPT - 8 NPT - 8 NPT FMF BR	EA	1
4	1522530	CAP, BREATHER, .50 NPT	EA	1
5	MB-41948-01	30" AL WATERTANK - HYD. PUMP WELD'T, 470 L / 125 USG	EA	1
5	MB-41948-02	30" AL WATERTANK - HYD. PUMP WELD'T, 570 L / 150 USG	EA	1
5	MB-41948-03	30" AL WATERTANK - HYD. PUMP WELD'T, 760 L / 200 USG	EA	1
6	MB-41614	WATER TANK COVER INSTL.	EA	1
7	1503998	FTG, 90, 80 RB - 8 JIC, LONG	EA	1
8	1467182	PUMP ASSEMBLY	EA	1
9	1256295	FTG, 90, 60 RB - 6 JIC, LONG	EA	1
10	HH-01090-022	PIPE, ST 1.00 NPT - 1.00 NPT X 2.50 B	EA	1
11	HH-00975-005	BALL VALVE - 1 NPT	EA	1
12	MA-35114	KING COUPLING 1" NPT	EA	1
13	HH-00425-002	FTG, ST 04 BARB - 04 NPT MM BR	EA	1
14	HH-00975-001	VALVE, BALL .25 BR	EA	1
15	1181883	NPL, HEX, PIPE BRASS MPT, .25	EA	1
16	MM-19850	CHECK VALVE, 1/4" NPT	EA	1
17	HH-01089-002	FTG, 90 4 NPT - 4 NPT MM BR	EA	1
18	MA-41775	PRESSURE GUAGE	EA	1
19	HH-01092-011	FTG, ST 16 NPT - 6 NPT MF BR	EA	1
20	HH-01309-004	1 NPT TEE CAST BRASS	EA	1
21	HH-01313-006	FTG, ST 1.00 NPT - 1.00 NPT MM BR	EA	1
22	HH-00300-049	SCR, CAP, HEX, .375 - 16 X 1.0 GS SS	EA	6
23	HH-00243-006	WASH, LK, SPLIT .38 X .68 X .09 SS	EA	6
24	MB-41801	GASKET, PUMP, FLG, LMI	EA	1
25	HH-00038-021	1 NPT BRASS PLUG	EA	1
26	HH-00341-002	1/4 FLAT WASHER	EA	4
27	HH-00293-006	1/4 UNC X 1 BOLT GR.5	EA	2
28	1580405	30" WATER TANK SCALE, 470 L / 125 USG	EA	1
28	1580406	30" WATER TANK SCALE, 570 L / 150 USG	EA	1



30" ALUM TANK ASS'Y - HWP, SIDE MNT

ITEM	PART #	PART DESCRIPTION	UOM	QTY
28	1580407	30" WATER TANK SCALE, 760 L / 200 USG	EA	1
29	FN1172442	#10 – 24 PAN HEAD SCREW X 3/4" LG SST	EA	3
30	FN1171009	#10 FLAT WASHER SST	EA	6
31	MB-42657	30" SIDE MOUNT W/T SCALE BRACK	EA	1
32	FN1170857	#10 – 24 NUT NYLOCK SST	EA	3
33	HH-00078-003	1/2 ID X 1.1/2 OD RUBBER WASH	EA	2
34	HH-00425-004	3/8 NPT X 3/8 HOSE BARB END	EA	1
35	HH-00878-004	DRAIN COCK 3/8 NPT	EA	1
36	HH-00975-002	VALVE, BALL 3/8 BR	EA	1
37	HH-01089-003	FITG, 90, 6 NPT – 6 NPT MM BR	EA	1
38	HH-00980-003	3/8 NPT SERVICE TEE – BRASS	EA	1
39	HH-00457-006	WASH SPR SST 25 X .50 X .06 ZC	EA	2
40	HH-00294-001	1/4 UNC HEX NUT GR 5	EA	2





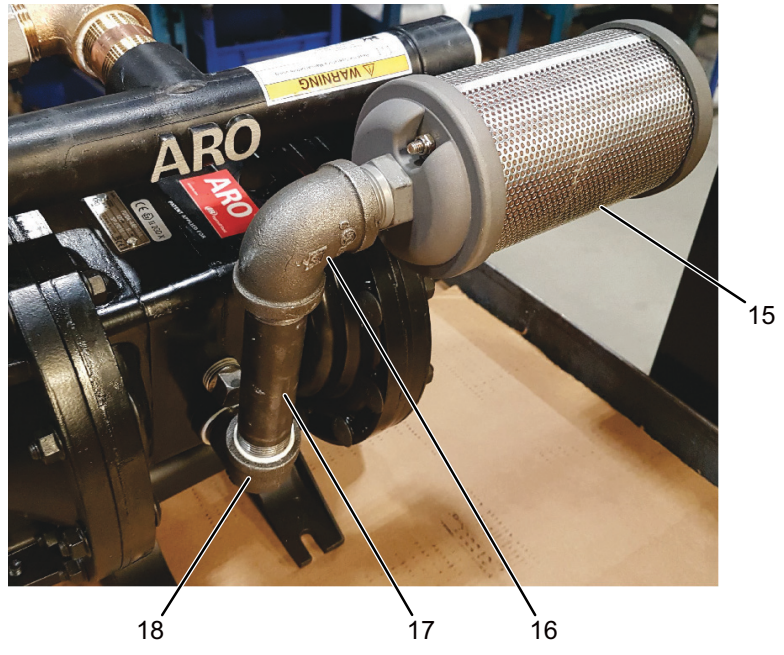
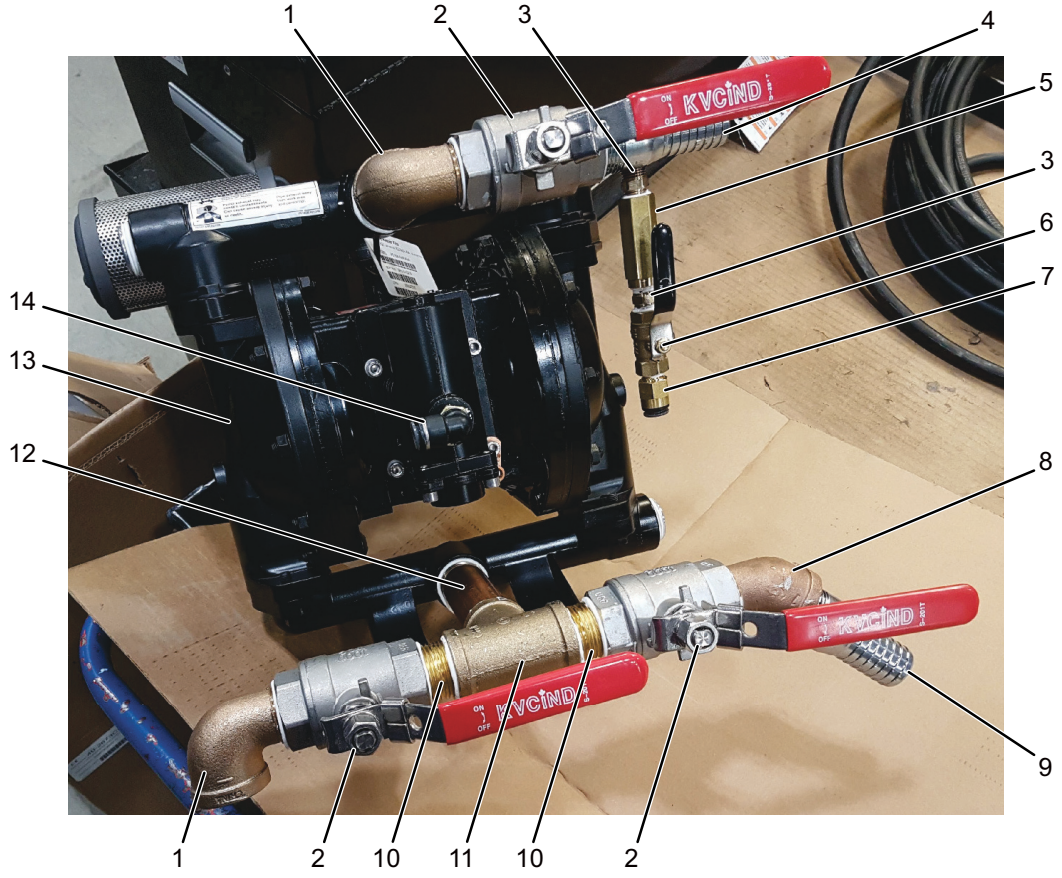
30" ALUM TANK ASSY, HWP, X - MNT

ITEM	PART #	PART DESCRIPTION	UOM	QTY
1	HH-00876-002	HOSE, PUSHLOCK .38 TYPE 801 BULK	EA	2
2	HH-00425-005	FTG, ST 08 NPT - 06 BARB MM EXHEX	EA	1
3	HH-00980-004	FTG, T 8 NPT - 8 NPT - 8 NPT FMF BR	EA	1
4	1522530	CAP, BREATHER, .50 NPT	EA	1
5	MB-41948-01	30" AL WATERTANK - HYD. PUMP WELD'T, 470 L / 125 USG	EA	1
5	MB-41948-02	30" AL WATERTANK - HYD. PUMP WELD'T, 570 L / 150 USG	EA	1
5	MB-41948-03	30" AL WATERTANK - HYD. PUMP WELD'T, 760 L / 200 USG	EA	1
6	MB-41614	WATER TANK COVER INSTL.	EA	1
7	1503998	FTG, 90, 80 RB - 8 JIC, LONG	EA	1
8	1467182	PUMP ASSEMBLY	EA	1
9	1256295	FTG, 90, 60 RB - 6 JIC, LONG	EA	1
10	HH-01090-022	PIPE, ST 1.00 NPT - 1.00 NPT X 2.50 B	EA	1
11	HH-00975-005	BALL VALVE - 1 NPT	EA	1
12	MA-35114	KING COUPLING 1" NPT	EA	1
13	HH-00425-002	FTG, ST 04 BARB - 04 NPT MM BR	EA	1
14	HH-00975-001	VALVE, BALL .25 BR	EA	1
15	1181883	NPL, HEX, PIPE BRASS MPT, .25	EA	1
16	MM-19850	CHECK VALVE, 1/4" NPT	EA	1
17	HH-01089-002	FTG, 90 4 NPT - 4 NPT MM BR	EA	1
18	MA-41775	PRESSURE GUAGE	EA	1
19	HH-01092-011	FTG, ST 16 NPT - 6 NPT MF BR	EA	1
20	HH-01309-004	1 NPT TEE CAST BRASS	EA	1
21	HH-01313-006	FTG, ST 1.00 NPT - 1.00 NPT MM BR	EA	1
22	HH-00300-049	SCR, CAP, HEX, .375 - 16 X 1.0 GS SS	EA	6
23	HH-00243-006	WASH, LK, SPLIT .38 X .68 X .09 SS	EA	6
24	MB-41801	GASKET, PUMP, FLG, LMI	EA	1
25	HH-00038-021	1 NPT BRASS PLUG	EA	1
26	HH-00341-002	1/4 FLAT WASHER	EA	4
27	HH-00293-006	1/4 UNC X 1 BOLT GR.5	EA	2
28	1580405	30" WATER TANK SCALE, 470 L / 125 USG	EA	1
28	1580406	30" WATER TANK SCALE, 570 L / 150 USG	EA	1



30" ALUM TANK ASSY, HWP, X - MNT

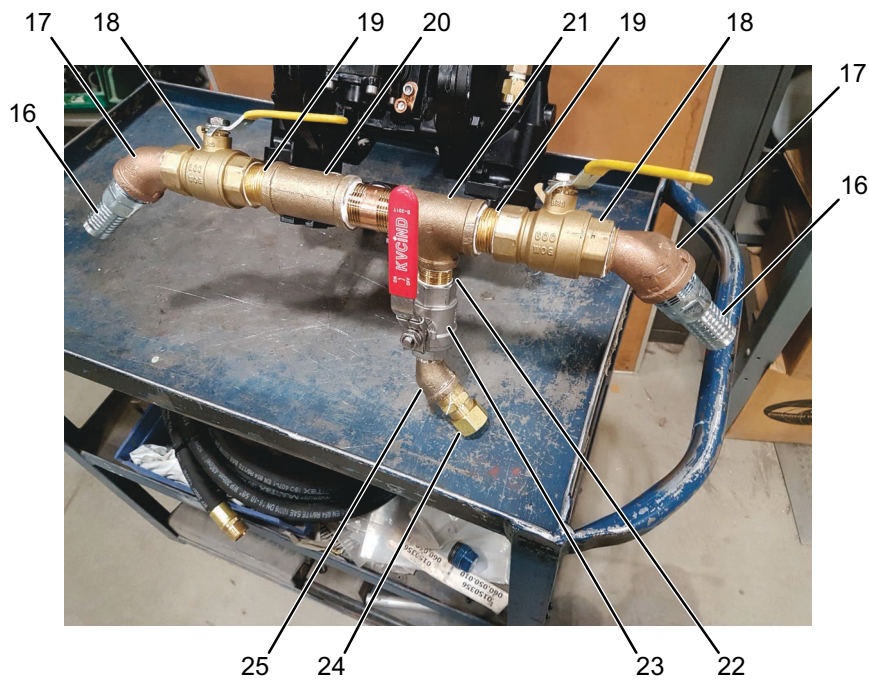
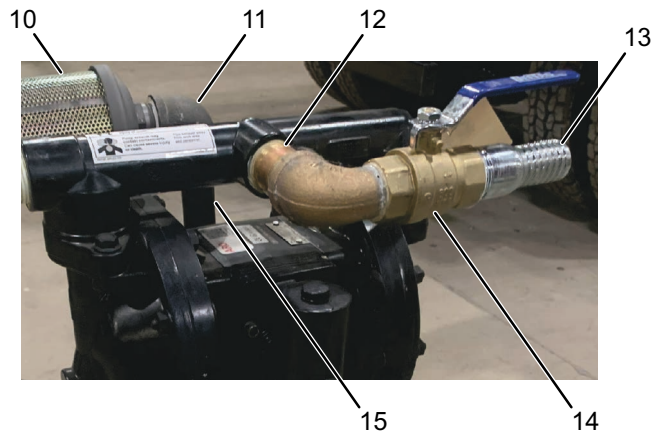
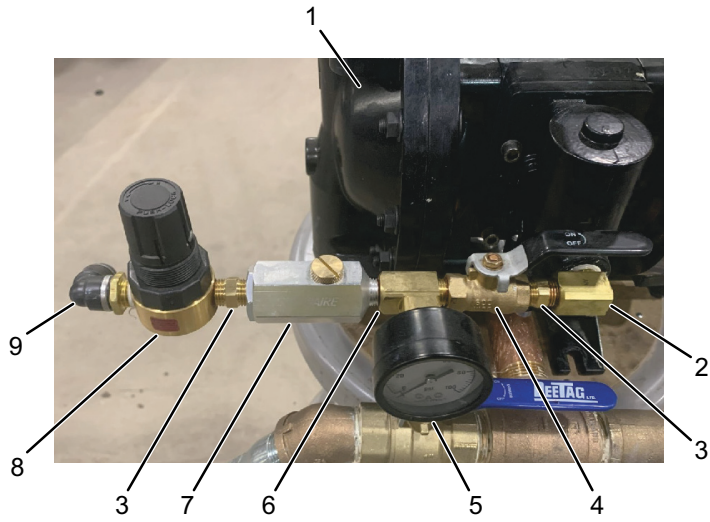
ITEM	PART #	PART DESCRIPTION	UOM	QTY
28	1580407	30" WATER TANK SCALE, 760 L / 200 USG	EA	1
29	FN1171009	#10 FLAT WASHER SST	EA	6
30	FN1172442	#10 - 24 PAN HEAD SCREW X 3/4 "LG SST	EA	3
31	MB-42660	30" C.M. WATERTANK SCALE BRKT	EA	1
32	FN1170857	#10 - 24 NUT NYLOCK SST	EA	3
33	HH-00078-003	1/2 ID X 1.1/2 OD RUBBER WASH.	EA	2
34	HH-00425-004	3/8 NPT X 3/8 HOSE BARB END	EA	1
35	HH-00878-004	DRAIN COCK 3/8 NPT	EA	1
36	HH-00975-002	VALVE, BALL .38 BR	EA	1
37	HH-01089-003	FTG, 90 6NPT - 6 NPT MM BR	EA	1
38	HH-00980-003	3/8 NPT SERVICE TEE - BRASS	EA	1
39	HH-00293-050	CAPSCREW HEX. HD. GR.5, CAD. PL. 3/8 NC X 1.1/4	EA	2
40	HH-00340-001	NUT, HEX, LKNY .37 - 16 G5 ZC	EA	2
41	HH-00341-004	3/8" FLAT WASHER	EA	2
42	182845	HANDLE 21.50 WTR TK	EA	1
43	HH-00457-006	WASH, SPR, SPT, .25 X .50 X .06 ZC	EA	2
44	HH-00294-001	1/4 UNC HEX NUT GR.5	EA	2





INGERSOL RAND WTR PUMP INSTALL

ITEM	PART #	PART DESCRIPTION	UOM	QTY
1	HH-01177-006	FTG, 90 1.00 NPT X 1.00 NPT FM BR	EA	2
2	HH-00975-005	VALVE, 1" BALL BRASS	EA	3
3	1181883	NPL, HEX, PIPE BRASS MPT, .25	EA	2
4	MA-35114	HOSE BARB, 1", WITH TAPPED HOLE	EA	1
5	MM-19850	CHECK VALVE, 1/4" NPT	EA	1
6	HH-00975-001	VALVE, BALL .25 BR	EA	1
7	HH-01016-011	FTG, ST 6 PTC - 4 NPT FM PL	EA	1
8	HH-01310-010	1" NPT BRASS STREET ELBOW 45	EA	1
9	HH-00600-004	FTG, ST 16 NPT - 16 BARB MM	EA	1
10	HH-01313-006	FTG, ST 1.00 NPT - 1.00 NPT MM BR	EA	2
11	HH-01309-004	1" FEMALE CAST BRASS TEE	EA	1
12	HH-01090-029	PIPE, ST 1.00 NPT - 1.00 NPT X 4.50	EA	1
13	1334773	PUMP, DIAP, WTR SYS, IR	EA	1
14	1406479	FTG, 90 6 PTC - 4 NPT FM PL	EA	1
15	C/W 1334773	EXHAUST	EA	1
16	HH-00053-005	FTG, 90 12 NPT - 12 NPT FF IR	EA	1
17	HH-00052-066	PIPE, ST 12 NPT - 12 NPT X 5.00 BS	EA	1
18	HH-00048-005	FTG, 90 12 NPT - 12 NPT FM IR	EA	1





INGERSOL RAND WTR PUMP INSTALL

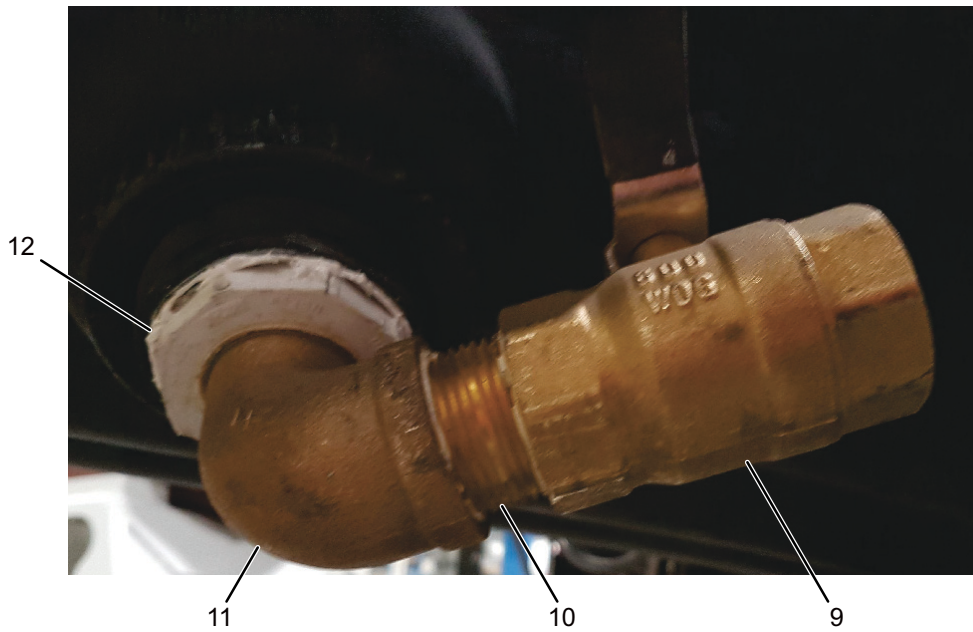
ITEM	PART #	PART DESCRIPTION	UOM	QTY
1	1334773	PUMP, DIAP, WTR SYS, IR	EA	1
2	HH-01051-002	FTG, 90 4 NPT - 4 NPT FM BR	EA	1
3	1181883	NIPPLE, HEX PIPE BRASS 1/4 NPT	EA	2
4	HH-00975-001	VALVE, BALL .25 BR	EA	1
5	MA-14870	AIR PRESSURE GAUGE, 1/4 NPT, 0 - 100 PSI RANGE	EA	1
6	HH-00980-002	FTG, T 4 NPT - 4 NPT- 4 NPT FMF BR	EA	1
7	1600689	LUBRICATOR, AIR, IN - LINE, .25 NPT	EA	1
8	0087011	VALVE, AIR REGULATOR 0 - 125 PSI	EA	1
9	11413-03466	3/8" X 1/4 - 18 NPT MALE 90 ELBOW KV2L11 - 35S	EA	1
10	C/W 1334773	EXHAUST	EA	1
11	HH-00053-005	FTG, 90 12 NPT - 12 NPT FF IR	EA	1
12	HH-01177-006	FTG, 90 1.00 NPT X 1.00 NPT FM BR	EA	1
13	MA-35114	HOSE BARB, 1", WITH TAPPED HOLE	EA	1
14	1467690	VALVE, 1" BALL SS316	EA	0
15	HH-00052-066	PIPE, ST 12 NPT - 12 NPT X 5.00 BS	EA	1
16	HH-00600-004	FTG, ST 16 NPT - 16 BARB MM	EA	2
17	HH-01310-010	1" NPT BRASS STREET ELBOW 45	EA	2
18	HH-00975-005	VALVE, 1" BALL BRASS	EA	1
19	HH-01313-006	FTG, ST 1.00 NPT - 1.00 NPT MM BR	EA	2
20	HH-01309-004	1" FEMALE CAST BRASS TEE	EA	1
21	1603477	FTG, T 16 NPT - 12 NPT - 16 NPT FFF BR	EA	1
22	HH-01313-005	CLOSE NIPPLE 3/4"	EA	1
23	1467685	VALVE, 3/4" BALL SS 316	EA	1
24	HH-01096-030	TUBE END, ST 12 TBO - 12 NPT FM BR	EA	2
25	HH-01310-002	3/4" NPT BRASS STREET ELBOW 45	EA	1
26	HH-01090-029	PIPE, ST 1.00 NPT - 1.00 NPT X 4.50	EA	1
27	HH-01016-011	FTG, ST 6 PTC - 4 NPT FM PL	EA	1
28	HH-00975-001	VALVE, BALL .25 BR	EA	1
29	1181883	NPL, HEX, PIPE BRASS MPT, .25	EA	2
30	MM-19850	CHECK VALVE, 1/4" NPT	EA	1
31	HH-00048-005	FTG, 90 12 NPT - 12 NPT FM IR	EA	1
32	1406479	FTG, 90 6 PTC - 4 NPT FM PL	EA	1



INGERSOL RAND WTR PUMP INSTALL

ITEM	PART #	PART DESCRIPTION	UOM	QTY
		*ITEM 26, 27, 28, 29, 30, 31 & 32 NOT SHOWN IN ILLUSTRATION.		

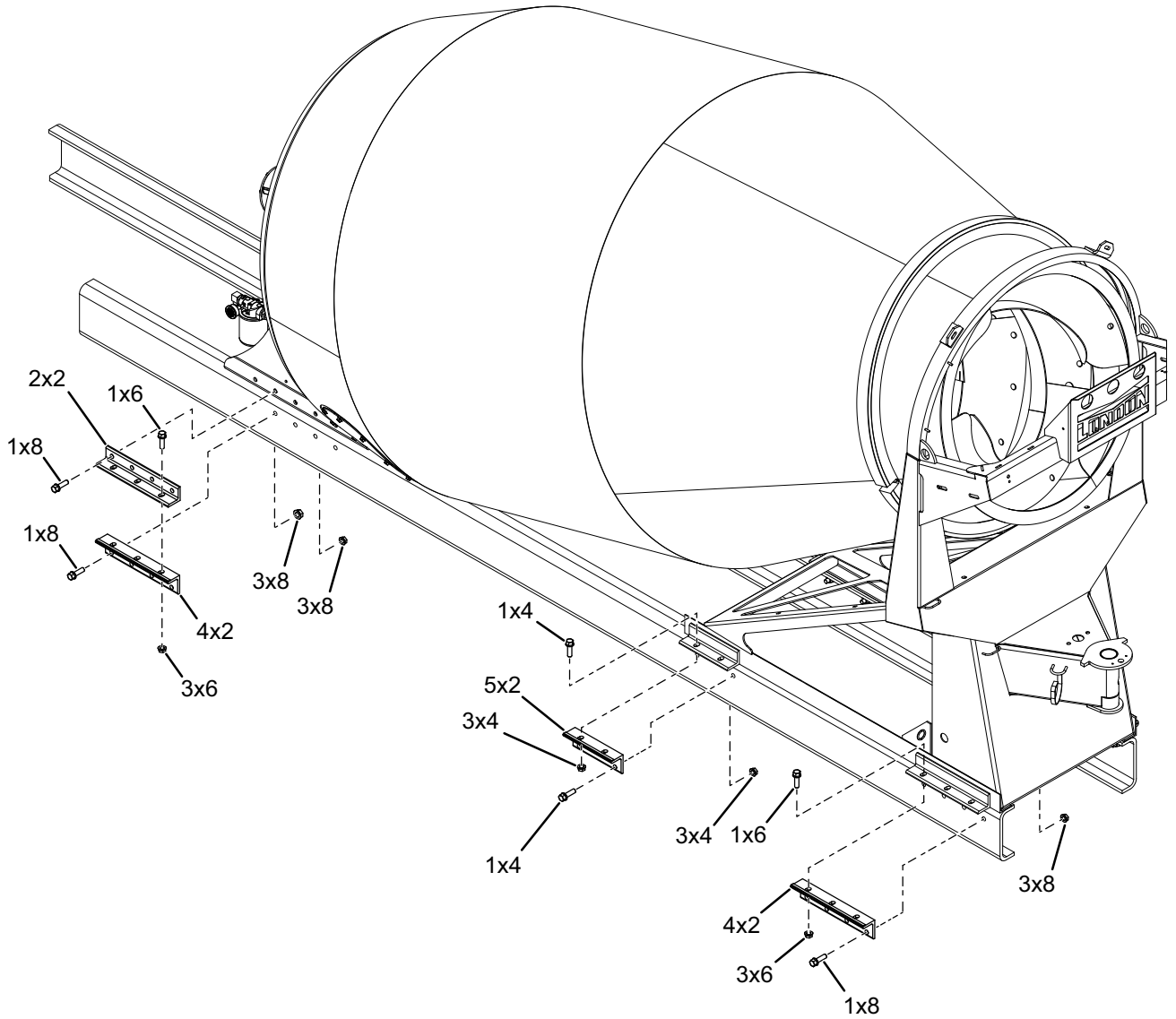
INGERSOL RAND WTR PUMP INSTALL





INGERSOL RAND WTR PUMP INSTALL

ITEM	PART #	PART DESCRIPTION	UOM	QTY
1	1603478	FTG, ST 16 NPT - 12 NPT MF, PVC	EA	1
2	HH-01096-030	TUBE END, ST 12 TBO - 12 NPT FM BR	EA	1
3	1317553	PIPE, FILL PVC, 1 X 29	EA	1
4	1317554	FTG, 90 16 NPT - 16 NPT FF PL	EA	1
5	HH-00600-004	FTG, ST 16 NPT - 16 BARB MM	EA	1
6	1265943	TANK, POLY SPLIT 150 ASSY, BLK	EA	1
7	1317549	PIPE, FILL PVC, 1 X 12	EA	1
8	1576420	FTG, 45 16 NPT - 16 NPT FF PL	EA	1
9	HH-00975-005	VALVE, BALL 1.00 BR	EA	1
10	HH-01313-006	FTG, ST 1.00 NPT - 1.00 NPT MM BR	EA	1
11	HH-01177-006	FTG, 90 1.00 NPT X 1.00 NPT FM BR	EA	1
12	1550499	FTG, ST 24 NPT - 16 NPT MF PVC	EA	1

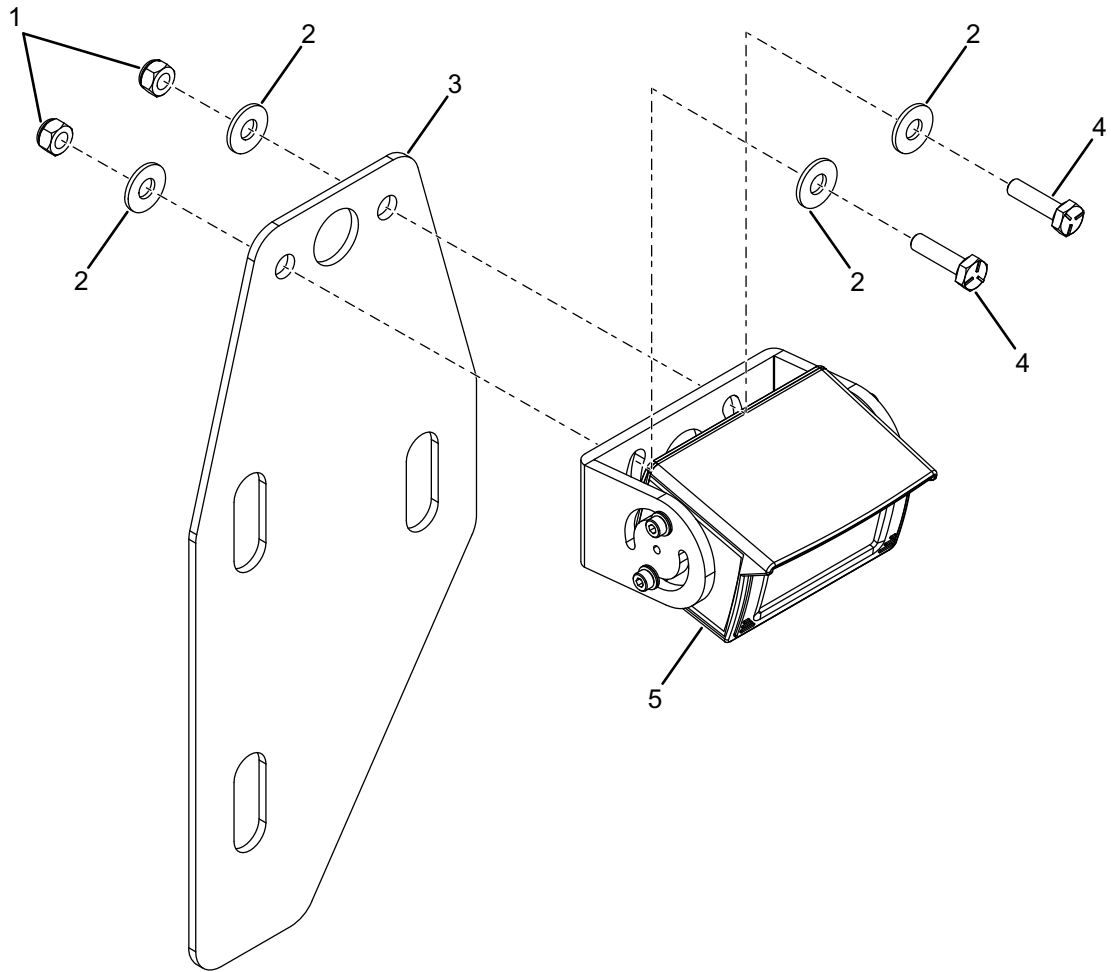


OPTIONAL FRONT TIE DOWN SYSTEMS:	
MC-41450	BASE MOUNTED TIE DOWN.
MC-41456	SUPPORTED TIE DOWN
MB-42074	SUPPORTED BASE MOUNTED TIE DOWN
OPTIONAL COMPONENTS:	
MB-42040	TIE DOWN SPACER INSTALLATION



MIXER MOUNTING

ITEM	PART #	PART DESCRIPTION	UOM	QTY
1	HH-01279-007	FLGE. HD BOLT GR8 3/4 UNF X 2 1/2"	EA	44
2	MB-36292-01	18" UPPER TIEDOWN NO GUSSETS	EA	2
3	HH-01278-001	3/4 UNF UNI - TORQUE FLGE. NUT	EA	44
4	MB-38395-10	18" LOWER TIE DOWN WELD'T	EA	4
5	MB-38671-10	LOWER MID ANGLE	EA	2
		*QUANTITY INCLUDES RH AND LH SIDE SHOWN ILLUSTRATION.		

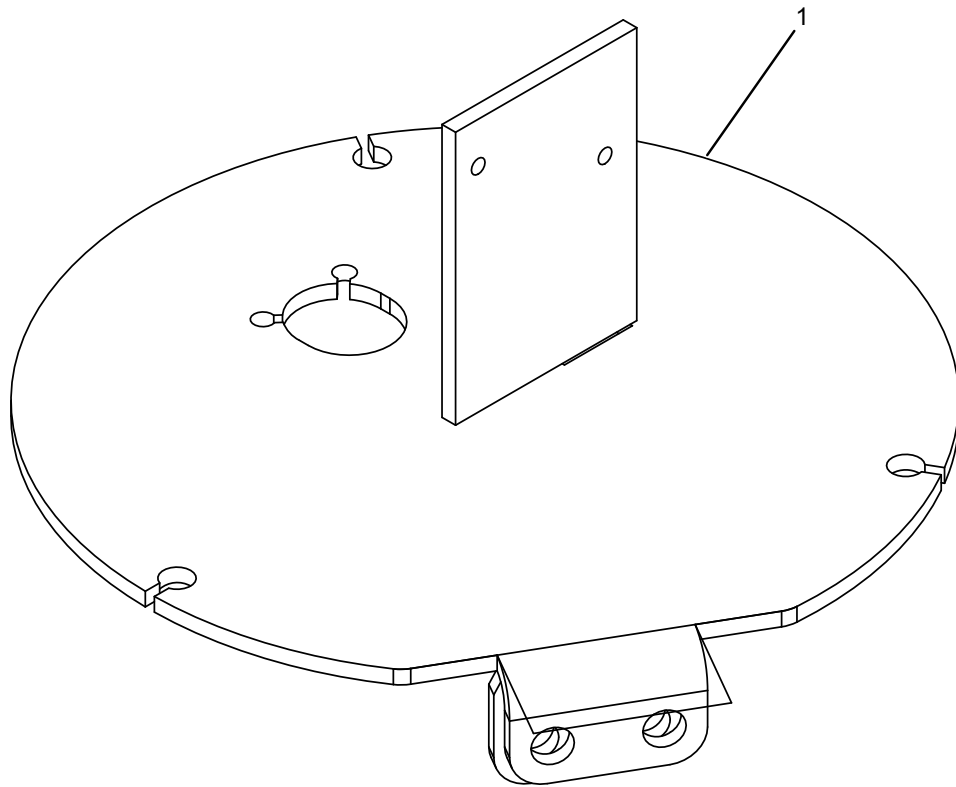


Note: This illustration is shown for Western Star 4800/4900 Chassis only.



INSTR, FR CAMERA

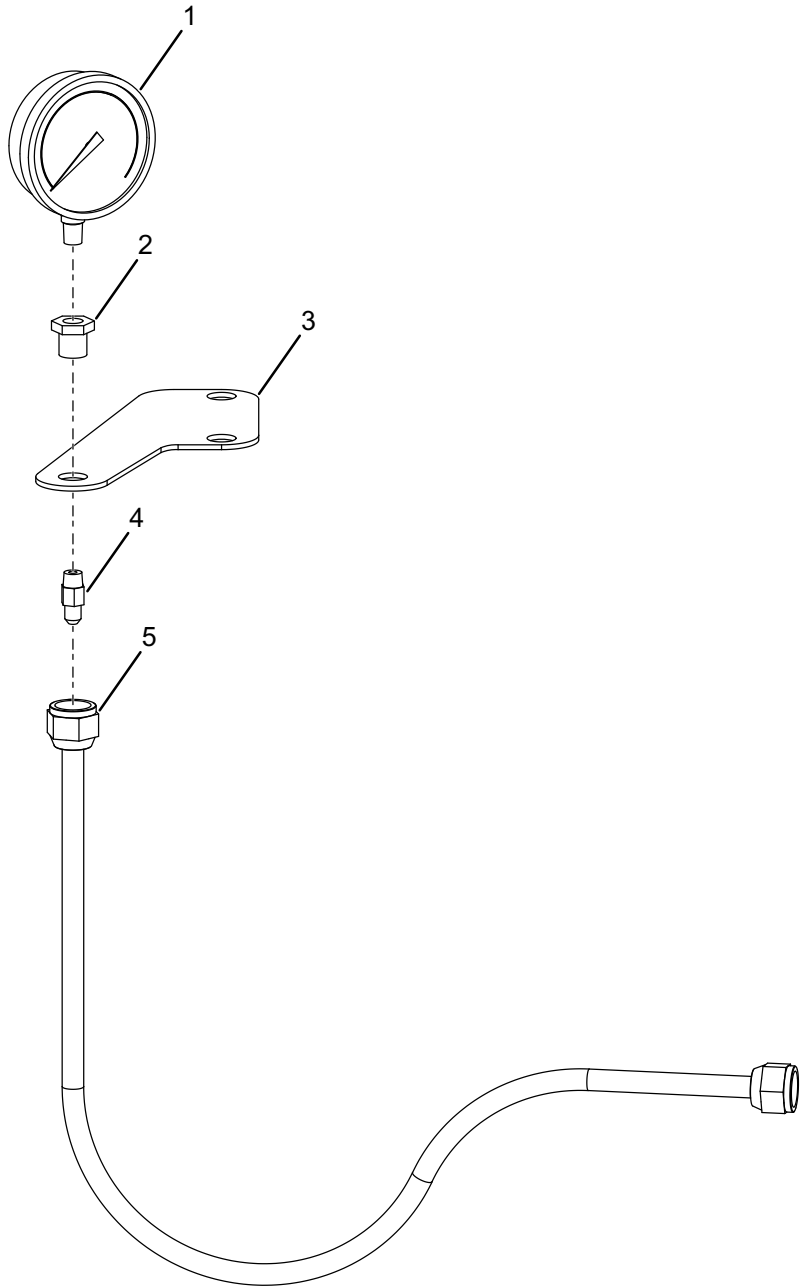
ITEM	PART #	PART DESCRIPTION	UOM	QTY
1	HH-00340-016	1/4 UNC NYL. NUT GR.5	EA	2
2	HH-00341-002	1/4 FLAT WASHER	EA	4
3	1589122	BRKT, CAMERA, FR BUMPER, WESTERN STAR 4800/4900	EA	1
3	1591386	BRKT, FRONT CAMERA, VOLVO	EA	1
3	1591853	BRKT, FRONT CAMERA, MACK	EA	1
4	HH-00293-006	1/4 UNC X 1 BOLT GR.5	EA	2
5	1557491	CAMERA, COLOR, 10V - 32V, SSV	EA	1





COVER WELD'T

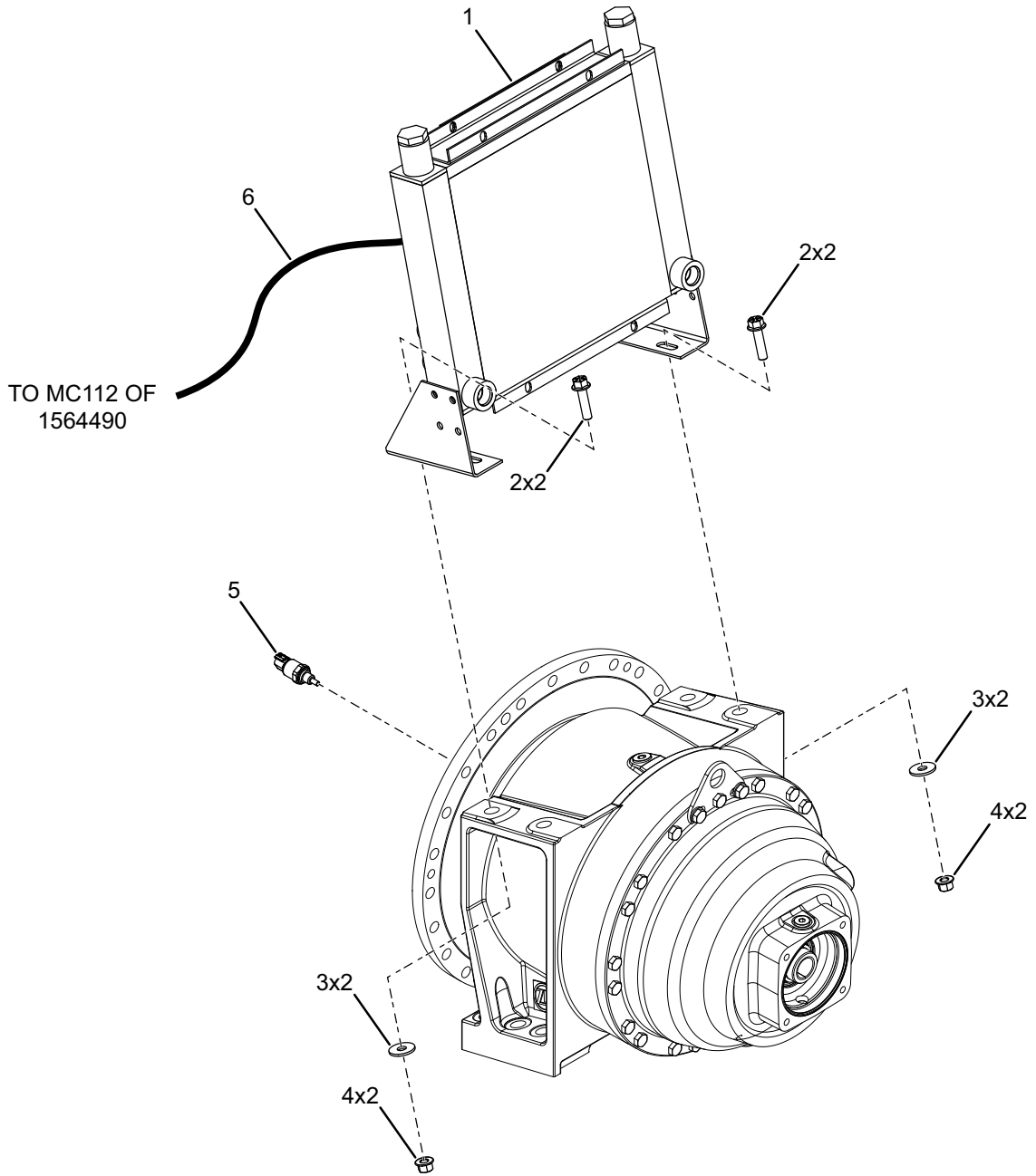
ITEM	PART #	PART DESCRIPTION	UOM	QTY
1	MB-40845-01	COVER - VALVE PL.	EA	1
1	MB-40845-02	COVER - VALVE/GREASE PL.	EA	1
1	MB-40845-03	COVER - GREASE PL.	EA	1
1	MB-40845-11	COVER - VALVE W/MAN . O/R	EA	1
1	MB-40845-12	COVER - VALVE/GREASE W/MAN . O/R	EA	1
1	MB-40845-13	COVER - GREASE PL. W/MAN . O/R	EA	1





SLUMP METER SUB ASSEMBLY

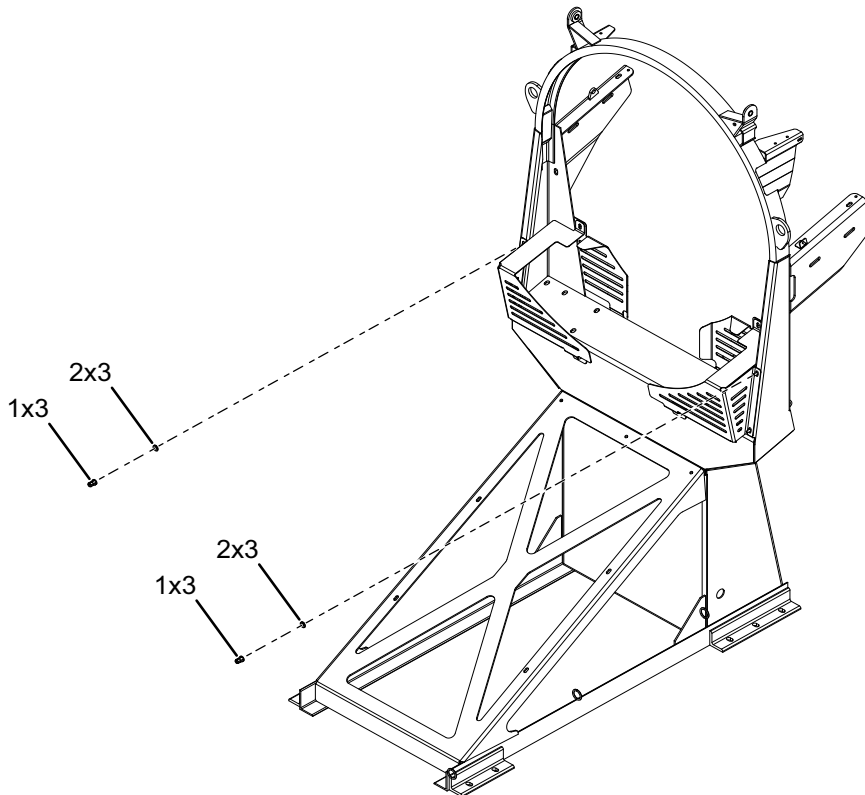
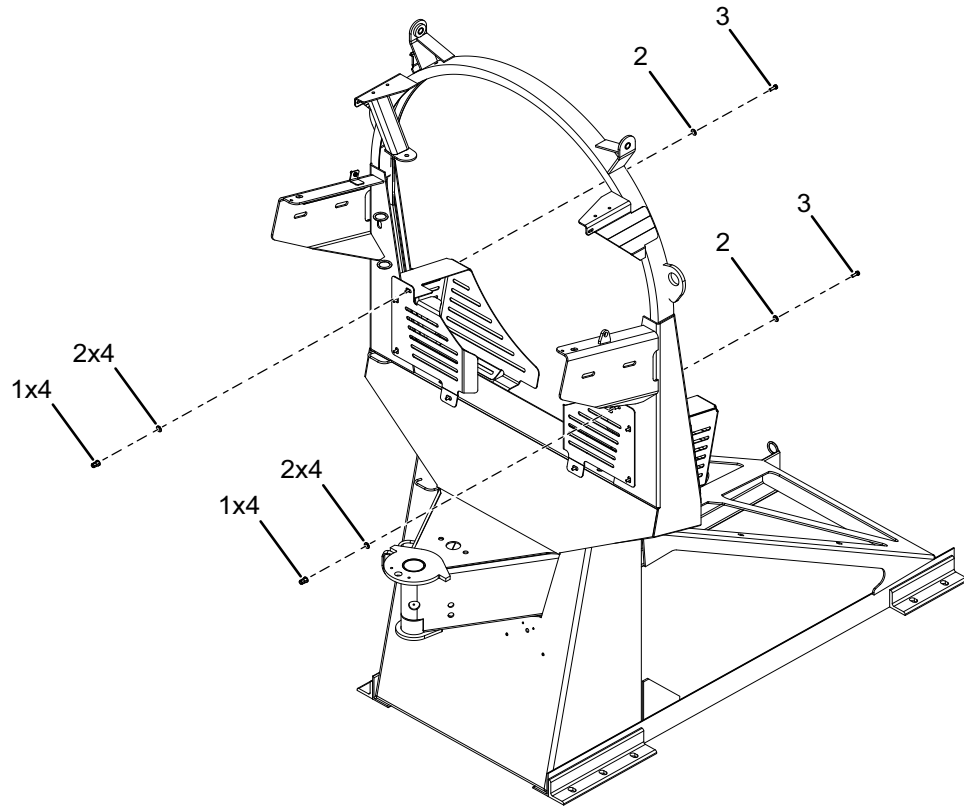
ITEM	PART #	PART DESCRIPTION	UOM	QTY
1	MA-38706	SLUMP GAUGE	EA	1
2	HH-01268-002	PIPE, STEEL FITTING, BULK HD	EA	1
3	MA-39467	SLUMP GAUGE BRK'T	EA	1
4	HH-00893-004	FTG, ST 4NPT - 4JIC MM	EA	1
5	MA-41814-06	38" SLUMP GAUGE HOSE ASS'Y	EA	1





INSTL, ELEC COOLER, LMI

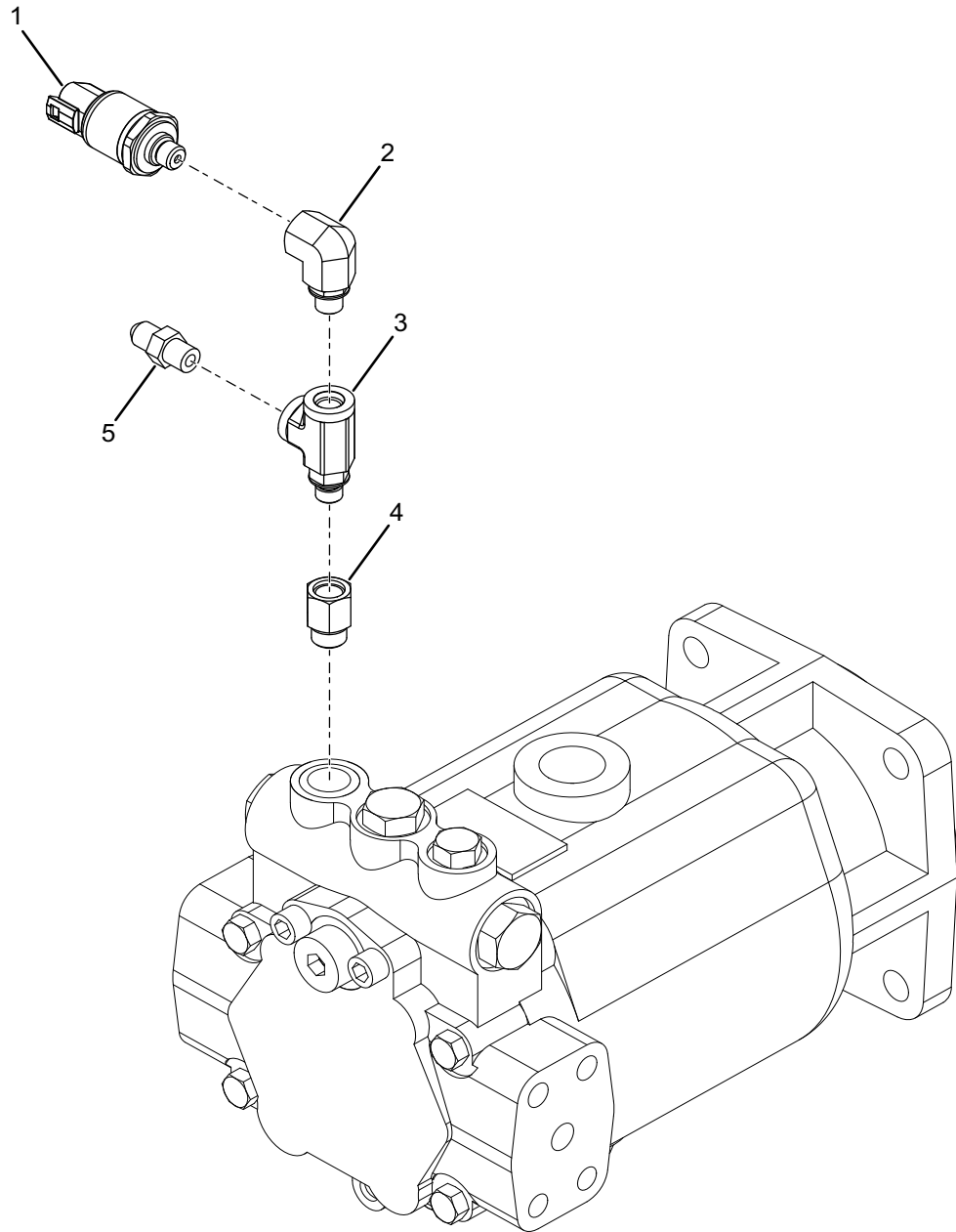
ITEM	PART #	PART DESCRIPTION	UOM	QTY
1	1493642	COOLER, MX OIL, 12V	EA	1
2	1243640	SCR, FLG, HEX .50 - 13X2.00 G8 ZY	EA	4
3	1241101	WASH, FLT .50X1.50X.12 ZC	EA	4
4	0120201	NUT, FLG, LKDT .50 - 13 GG CW	EA	4
5	1541597	GAUGE, TEMPERATURE 0 - 5V DC	EA	1
6	1495842	WIRE HARN, EXT, FE FAN, RM, MXR	EA	1





INST, GRD, ROLLERS, MTG, ACORN

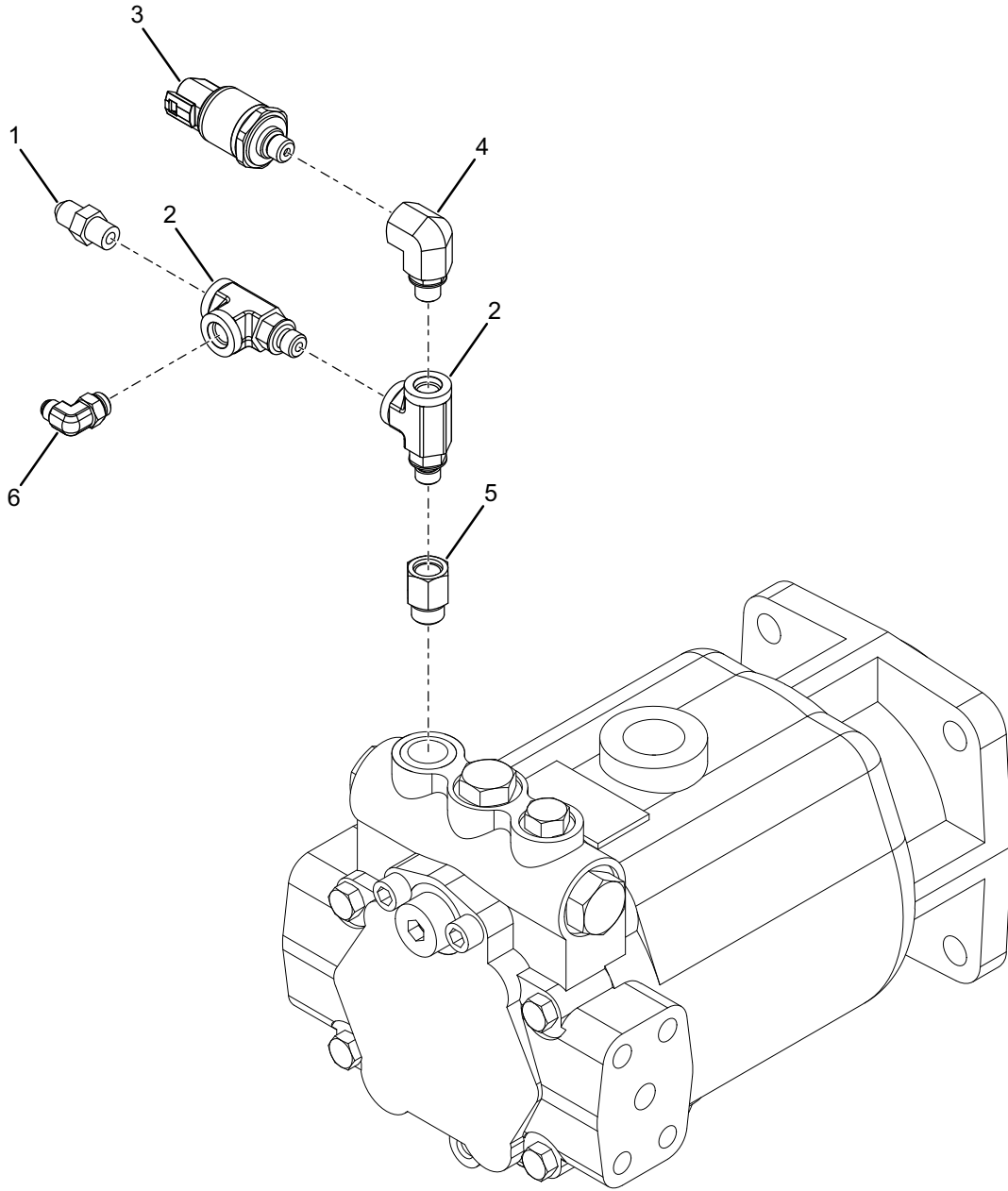
ITEM	PART #	PART DESCRIPTION	UOM	QTY
1	1540285	NUT, PLASTIC ACORN, .313 - 18	EA	14
2	HH-00341-003	WASH, FLT .31X.88X.06 ZC	EA	16
3	HH-00293-028	SCR, CAP, HEX .31 - 18X1.50 G5 ZC	EA	2





INSTL, DIGITAL SLUMP, FLEX

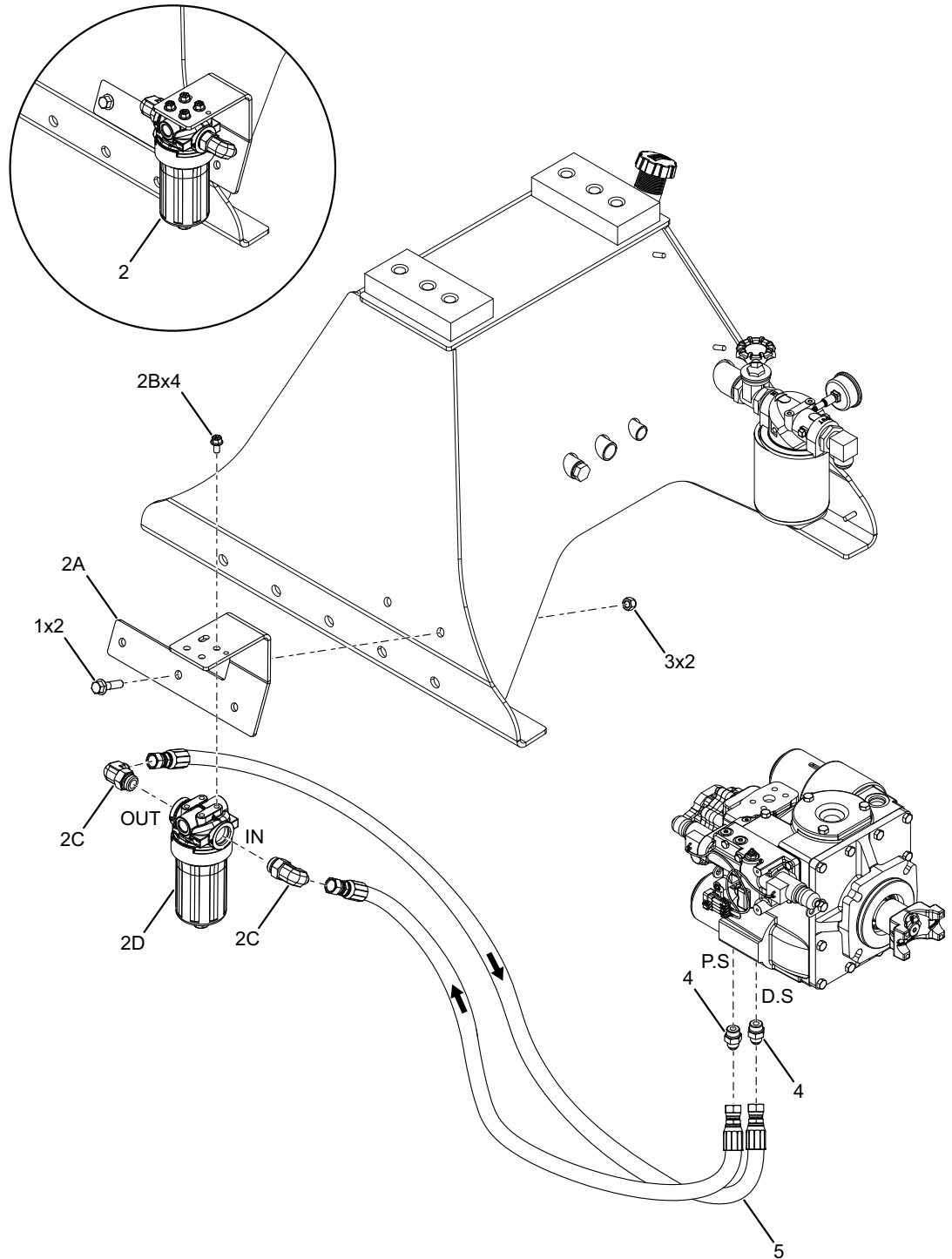
ITEM	PART #	PART DESCRIPTION	UOM	QTY
1	1541596	GAUGE, PRESSURE 0 - 5V DC	EA	1
2	1521360	FTG, 90 4 ORG - 4 ORG MF ST	EA	1
3	1486116	FTG, T 4 ORG - 4 ORG - 4 ORG MFF ST	EA	1
4	1486125	FTG, ST 6 ORG - 4 ORG MF ST, 46 SERIES MOTOR	EA	1
4	1492080	FTG, ST 8 ORG - 4 ORG MF ZC, 54 SERIES MOTOR	EA	1
5	HH-00447-005	#4 ORB - JIC MALE ADAPTER	EA	1





INSTL, DIGITAL SLUMP, FLEX

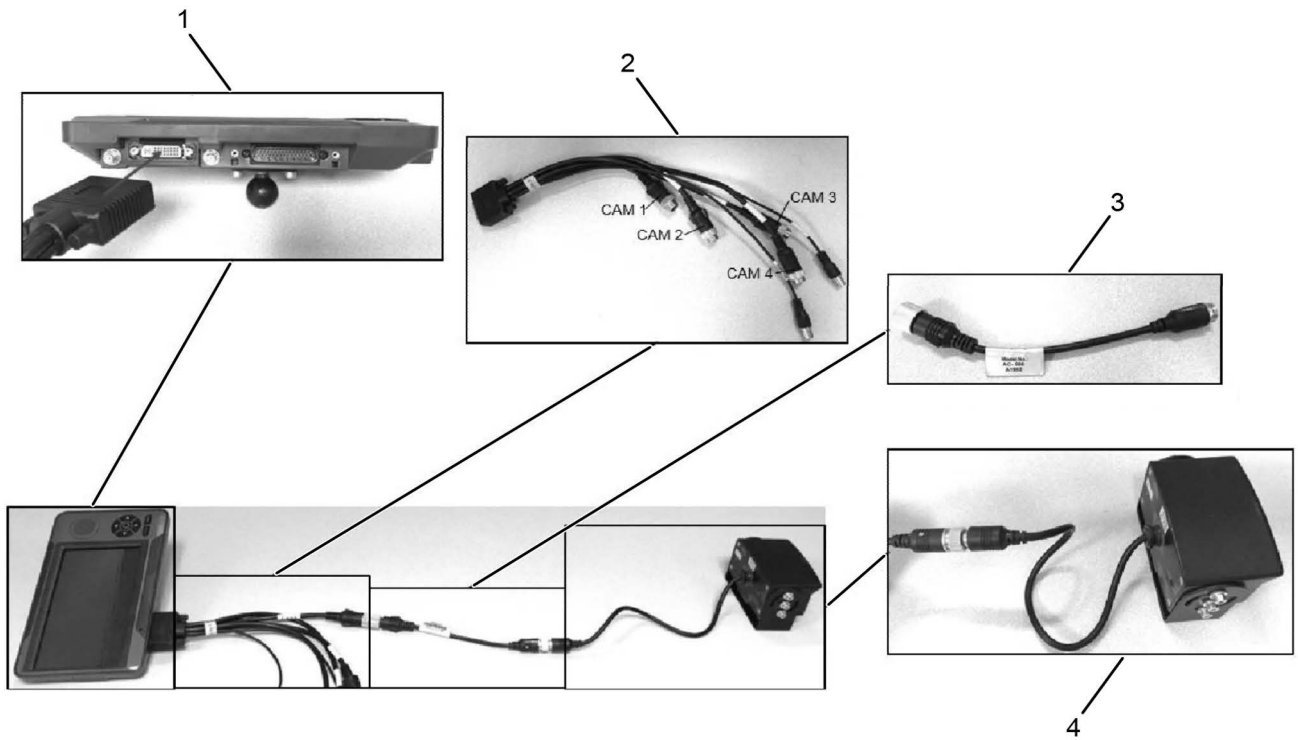
ITEM	PART #	PART DESCRIPTION	UOM	QTY
1	HH-00447-005	#4 ORB - JIC MALE ADAPTER	EA	1
2	1486116	FTG, T 4 ORG - 4 ORG - 4 ORG MFF ST	EA	2
3	1541596	GAUGE, PRESSURE 0 - 5V DC	EA	1
4	1521360	FTG, 90 4 ORG - 4 ORG MF ST	EA	1
5	1486125	FTG, ST 6 ORG - 4 ORG MF ST, 46 SERIES MOTOR	EA	1
5	1492080	FTG, ST 8 ORG - 4 ORG MF ZC, 54 SERIES MOTOR	EA	1
6	HH-00923-016	FTG, 90 4 ORB - 4 JIC MM	EA	1





EP CHRGE FILTER INSTL

ITEM	PART #	PART DESCRIPTION	UOM	QTY
1	HH-01187-010	1/2 UNC X 2" LG. GR.5	EA	2
2	1538095	EP CHARGE FILTER SUB ASSY	EA	1
2A	1533303	BRKT, EP CHARGE FILTER	EA	1
2B	1243676	SCR, FLG, HEX, .38 - 16X.75 G8 ZY	EA	4
2C	HH-00923-029	FTG, 90 8JIC - 12ORG MM ST	EA	2
2D	1632802	FILTER, CHARGE PUMP, EP, NO IND	EA	1
3	HH-01188-002	1/2" UNC HEX. FL. HD. NUT	EA	2
4	1474599	8 JIC - 10 ORB MALE CONNECTOR	EA	2
5	1533463-02	1/2" HOSE ASSEMBLY - 8 JIC.F.SW - 8 JICF.SW	EA	2





INSTL, CAMERA, LMI FLEX

ITEM	PART #	PART DESCRIPTION	UOM	QTY
1	1673295	DISPLAY, TOUCH, DROID, 317, NO COM	EA	(REF)
2	1650394	ADAPT, SAFETY VISION, MXR CODE	EA	1
3	1551519	HARN, ADAPT BRIGADE AC006, MXR (JUMPER BETWEEN DISPLAY AND CAMERA CABLE)	EA	1
4	1557491	CAMERA, COLOR, 10V - 32V, SSV	EA	1
	1416682	CABLE, CAMERA, EXT, 4 PIN, 16 FT	EA	3
	1555498	CVR, R PED CAMERA WLDT	EA	1
		*1416682 AND 1555498 NOT SHOWN IN THE ILLUSTRATION.		



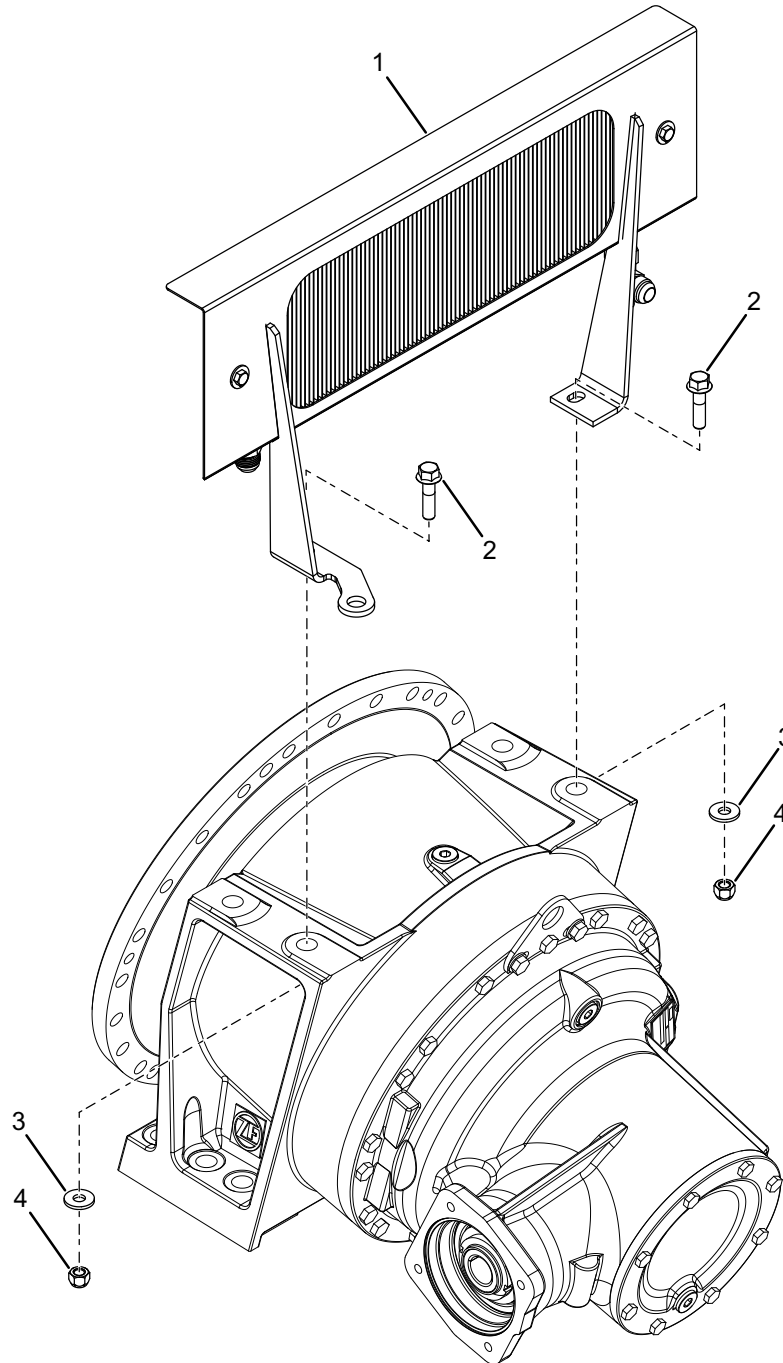
INSTR, SIDE CAMERA, HOOD

No Assembly Drawing Image.



INSTR, SIDE CAMERA, HOOD

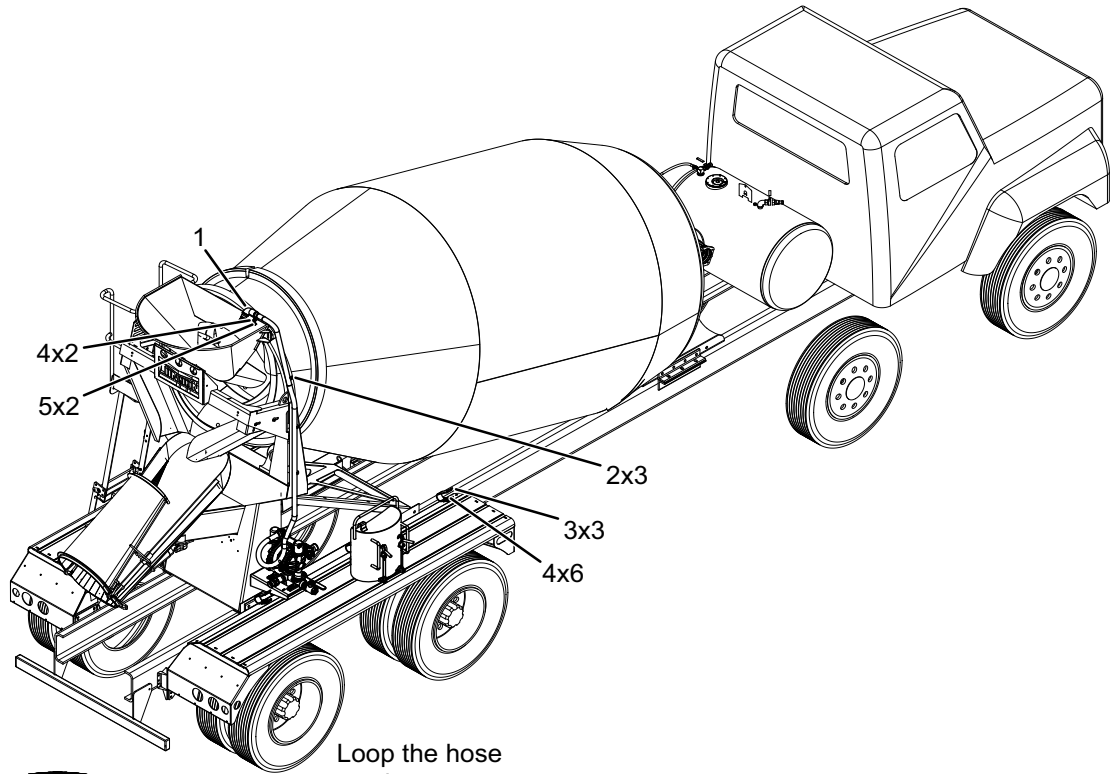
ITEM	PART #	PART DESCRIPTION	UOM	QTY
1	1592477	CAMERA, 3RD EYE, SIDE	EA	2
2	1416682	CABLE, CAMERA, EXT, 4 PIN,16 FT	EA	2
3	1527716	CABLE, ADPT, SSV TO CONVOY/ZD	EA	2
4	1457676	CABLE, ADPT, SSP TO AWT CAMERA	EA	2



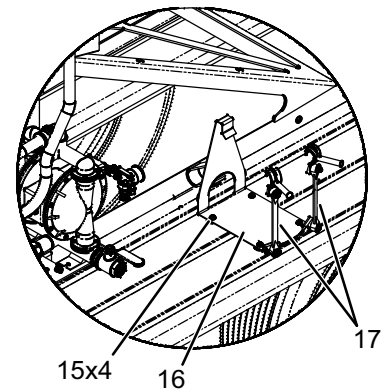
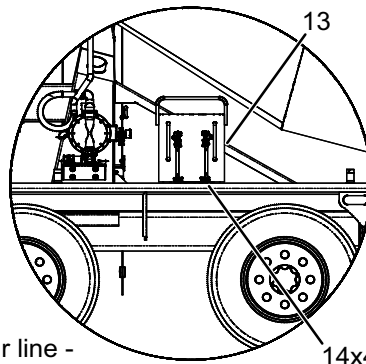
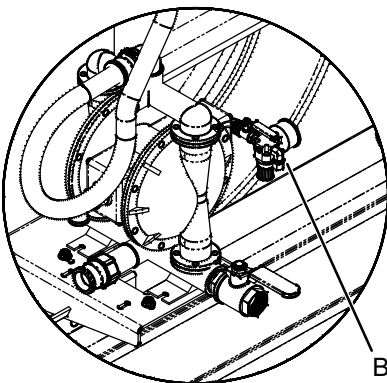
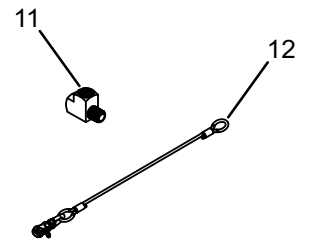
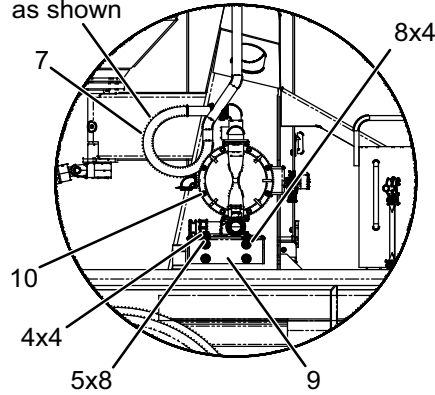
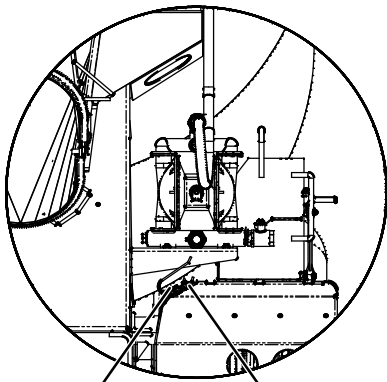


REPTO MOUNT HX INS, NO FAN

ITEM	PART #	PART DESCRIPTION	UOM	QTY
1	1509351	GEARBOX MOUNTED MAN. OIL COOLER INST.	EA	1
2	HH-01187-010	1/2 UNC x 2" LG. GR.5	EA	2
3	HH-01069-003	1/2" BELLEVILLE WASHER	EA	2
4	HH-01188-002	1/2" UNC HEX. FL. HD. NUT	EA	2



Loop the hose
as shown

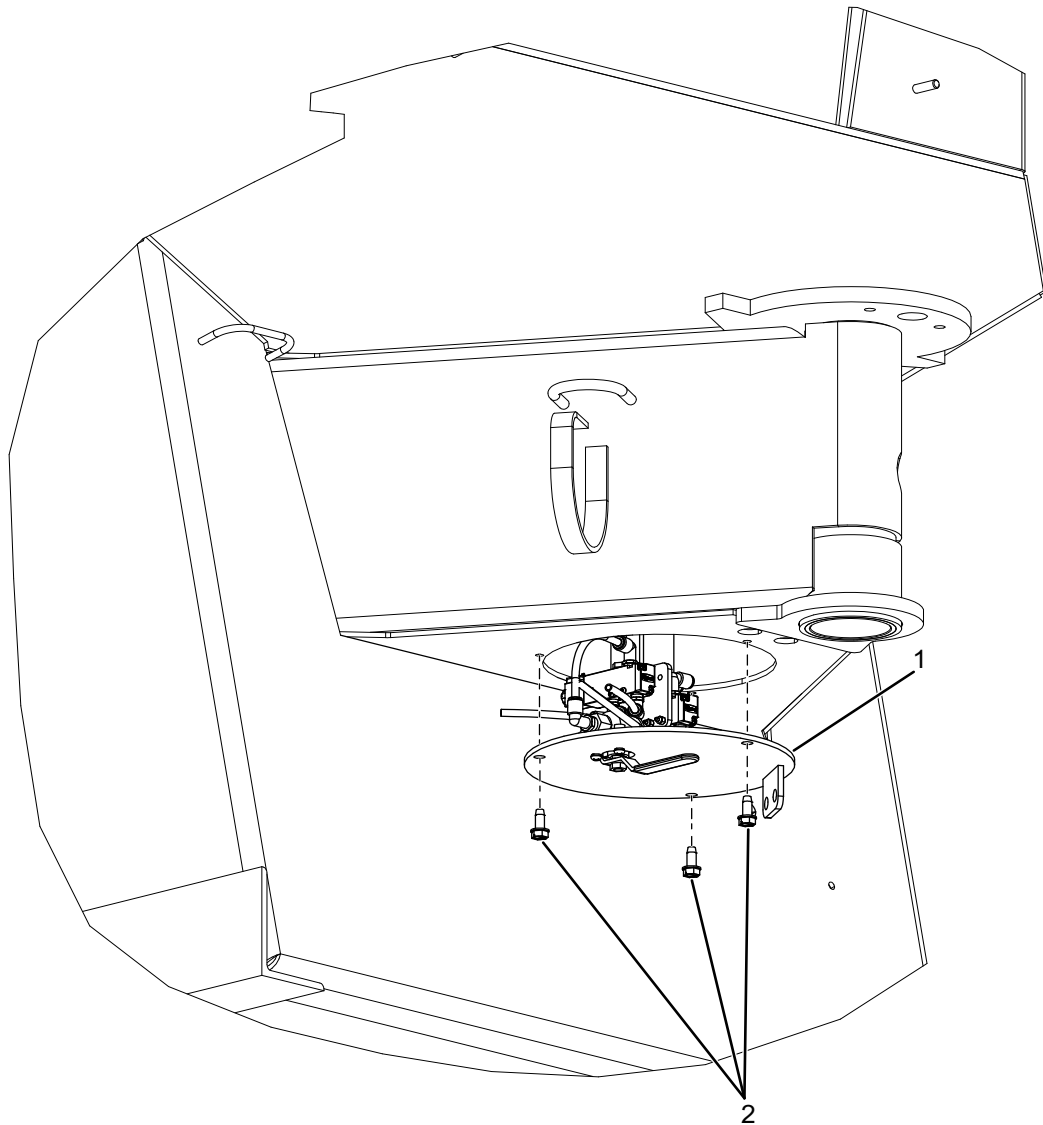


Black 1/2" Air line -
to Air tank



INSTL, ENVIROGUARD, MIXER

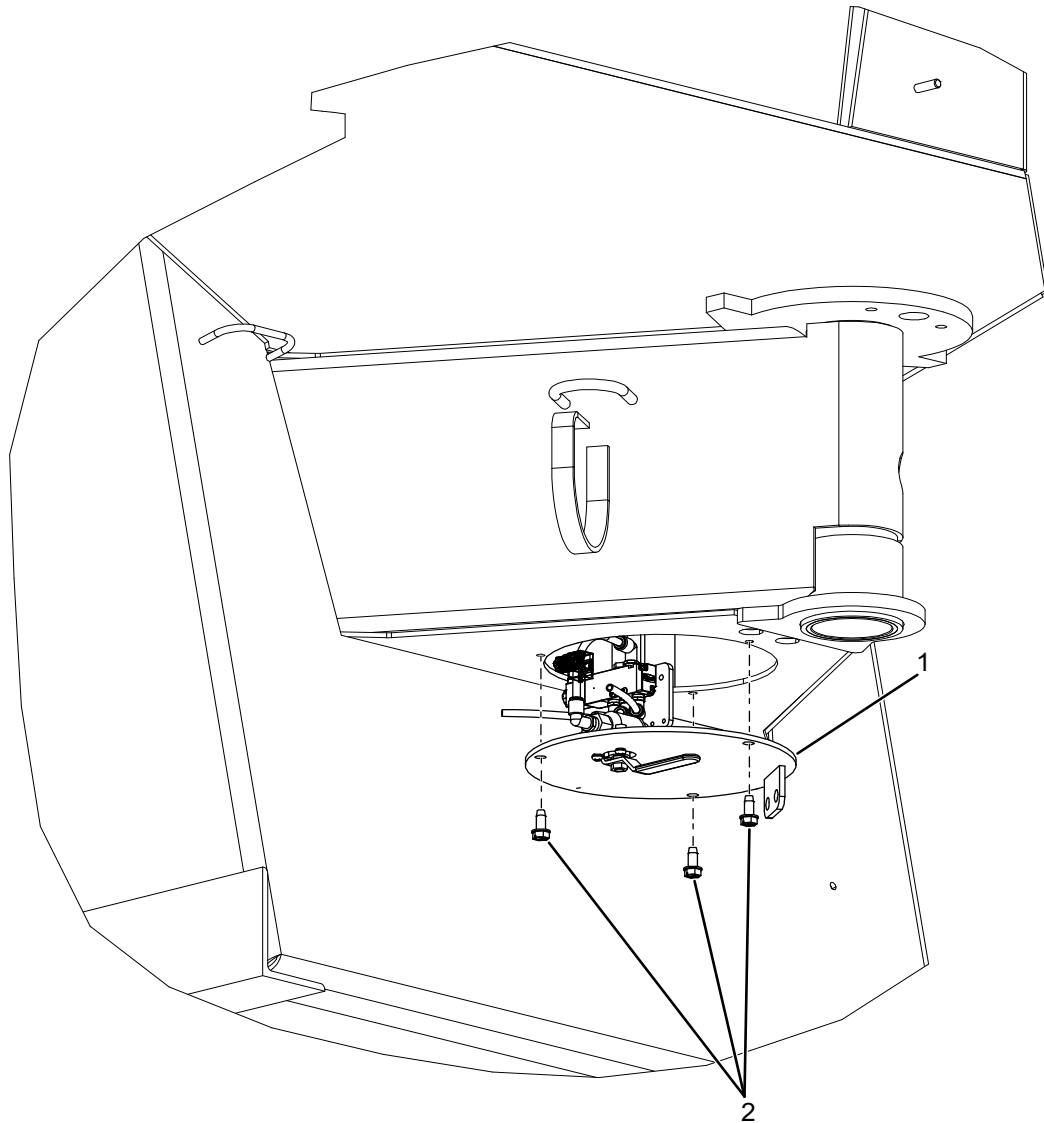
ITEM	PART #	PART DESCRIPTION	UOM	QTY
1	1474040	NOZZLE ASSEMBLY	EA	1
2	HH-00815-083	1 1/2" HOSE CLAMP	EA	3
3	1470940	BRKT, ENVIROGUARD HOSE	EA	3
4	HH-01187-002	SCR, FLG, HEX .375 - 16X1.250 G8 ZC	EA	12
5	HH-01188-001	NUT, FLG, LKDT .3750 - 16 GG CW	EA	16
6	HH-00078-003	1/2 ID x 1.1/2 OD RUBBER WASH.	EA	10
7	1374531	(1-1/4")x12' HOSE. (CUS PN#G941BW-125C12)	EA	1
8	HH-01187-007	SCR, FLG, HEX .50 - 13X1.50 G8 ZY	EA	4
9	1518355	BRKT, PUMP, REAR PED MNT, MXR	EA	1
10	1527490	WILDEN PUMP ASSEMBLY	EA	1
11	HH-00980-002	FTG, T 4 NPT - 4 NPT - 4 NPT FMF BR	EA	1
12	1542108	CABLE - CLIP ASSY, 18.38"	EA	1
13	1539638	LONDON FULL HANDLE, PS	EA	1
13	1322596	MTM HANDLE, PS	EA	1
14	HH-01300-002	FLANGE HD. HEXNUT 1/2 - 18 UNC S.S.	EA	4
15	HH-00971-022	CARRIAGE BOLT CAD.PL. 3/8" NCX1.1/4"	EA	4
16	1181792	BRKT, MTG, ENVIRO PUMP BUCKET	EA	1
17	1171963	ASSY - RUB, CHUTE HOLD DOWN 10"	EA	2
	1374528	(1-1/2") X 10' (CUSTOMER PN#: G941BW - 150CC10)	EA	1
	1374529	(1-1/2") X 11' (CUSTOMER PN#: G941BW - 150CE11)	EA	1
		*PART NUMBERS 1374528 AND 1374529 ARE NOT SHOWN.		





CHT POS, TILT POS, VALVE ASSY

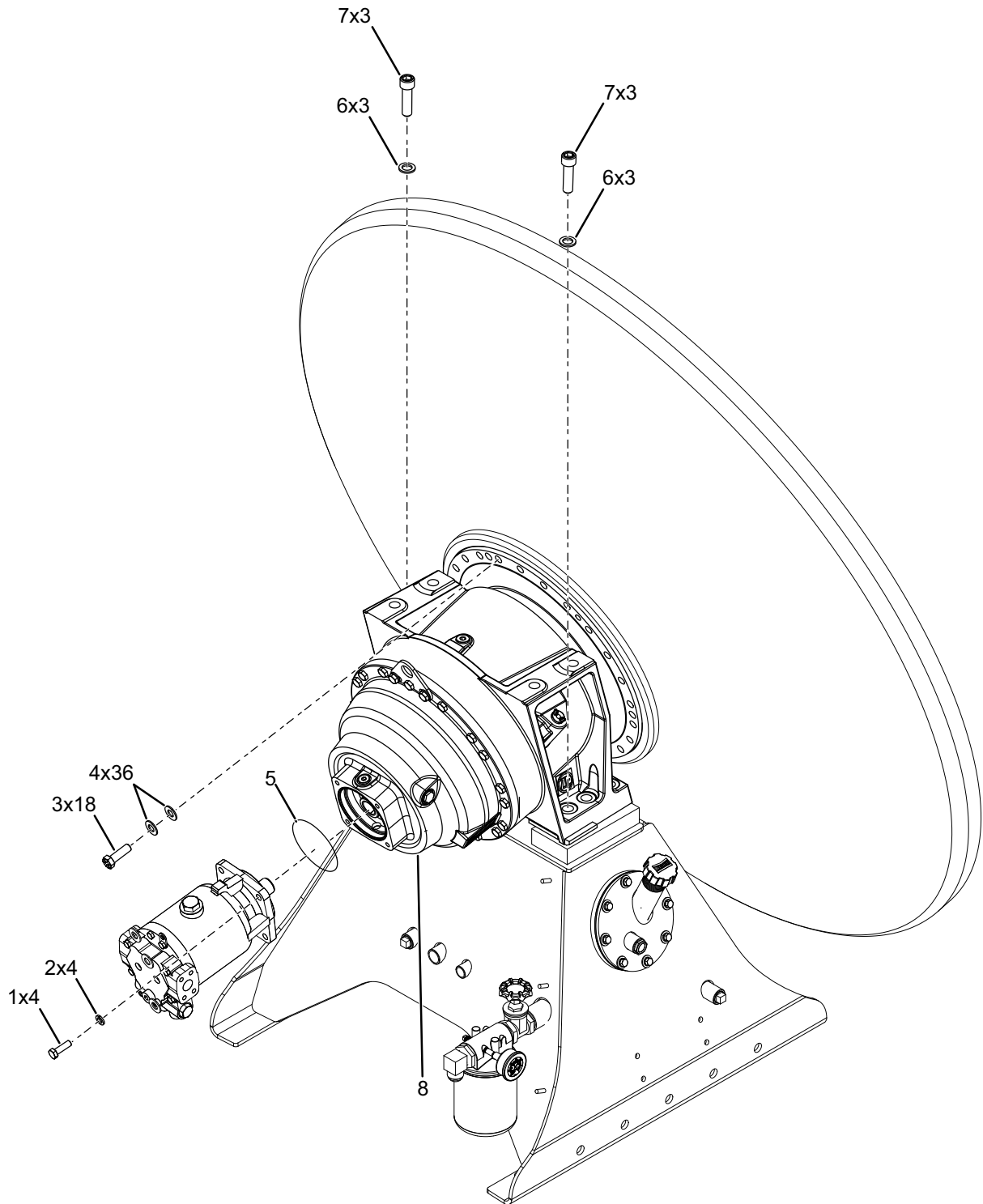
ITEM	PART #	PART DESCRIPTION	UOM	QTY
1	1457407	CHT POS, TLT POS, VLV ASSY	EA	1
2	HH-01276-001	5/16 - 18 UNC S. T. SCR. - 3/4"	EA	3





CHT POS, VALVE ASSY

ITEM	PART #	PART DESCRIPTION	UOM	QTY
1	1474601	CHT POS, VLV ASSY	EA	1
2	HH-01276-001	5/16 - 18 UNC S. T. SCR. - 3/4"	EA	3

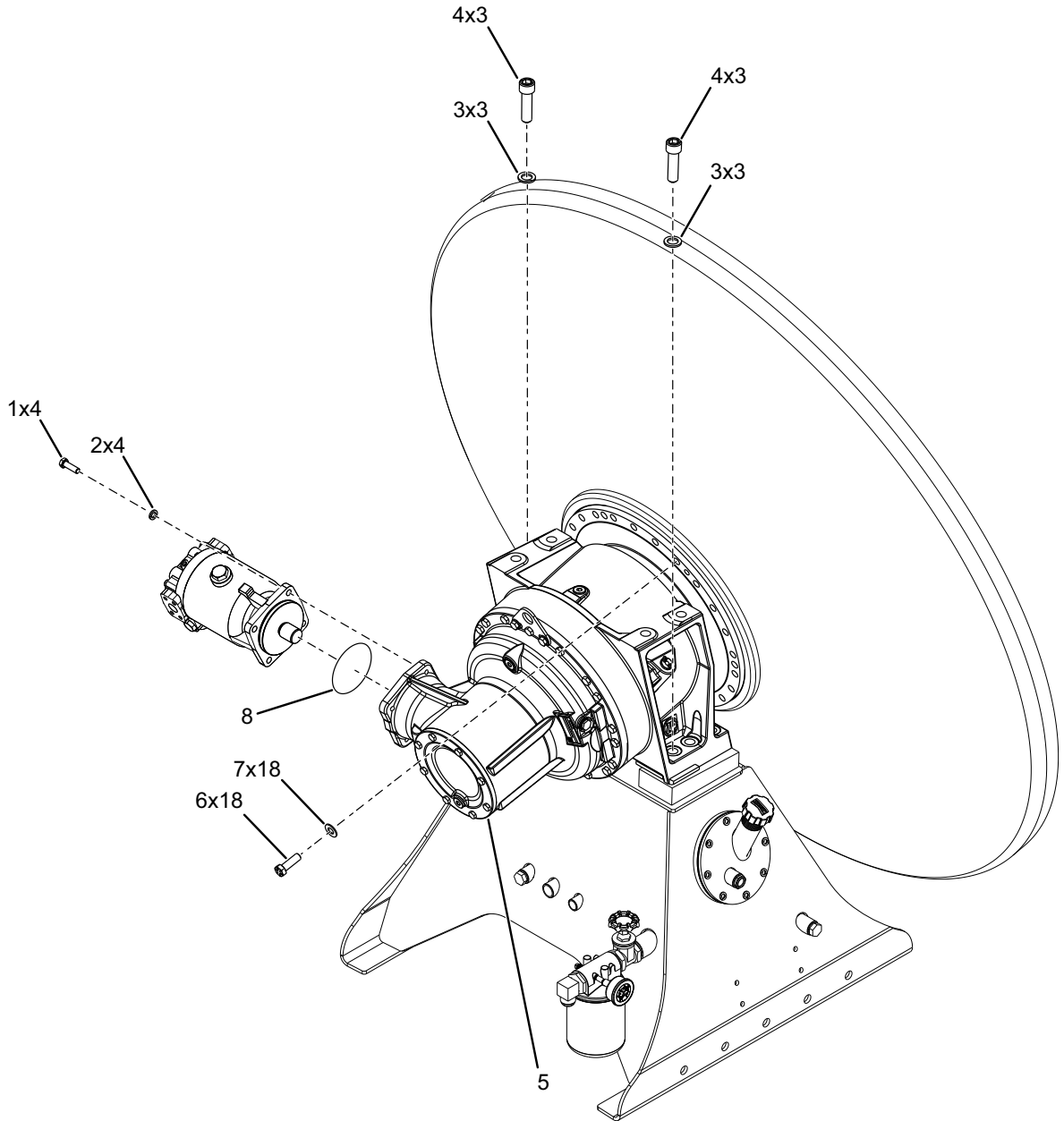


Note: This illustration is shown for composite variant only.
Gasket (P/N MC-38163-09) is not shown in illustration.



ZF SPEEDREDUCER PK - 7300

ITEM	PART #	PART DESCRIPTION	UOM	QTY
1	HH-00909-031	12MM X 1.75 X 40 HHCS GR 8.8	EA	4
2	HH-00457-001	LOCK WASHER 1/2"	EA	4
3	1470296	SCR, HEX, .62 - 11X2, LOCTITE, ASSY	EA	18
4	100565	WASH, FLT .62X1.31X.12 ZY HDN (STEEL DRUM)	EA	18
4	100565	WASH, FLT .62X1.31X.12 ZY HDN (COMPOSITE DRUM)	EA	36
5	1543230	O-RING	EA	AR
6	MA-32029	HARDENED WASHER GEARBOX MOUNTI	EA	6
7	HH-01277-190	7/8 UNC 12PT.FLG.HD. X 3.1/4" LG GR.8	EA	6
8	MB-40826	GEAR REDUCER, ZF, PK 7300	EA	1

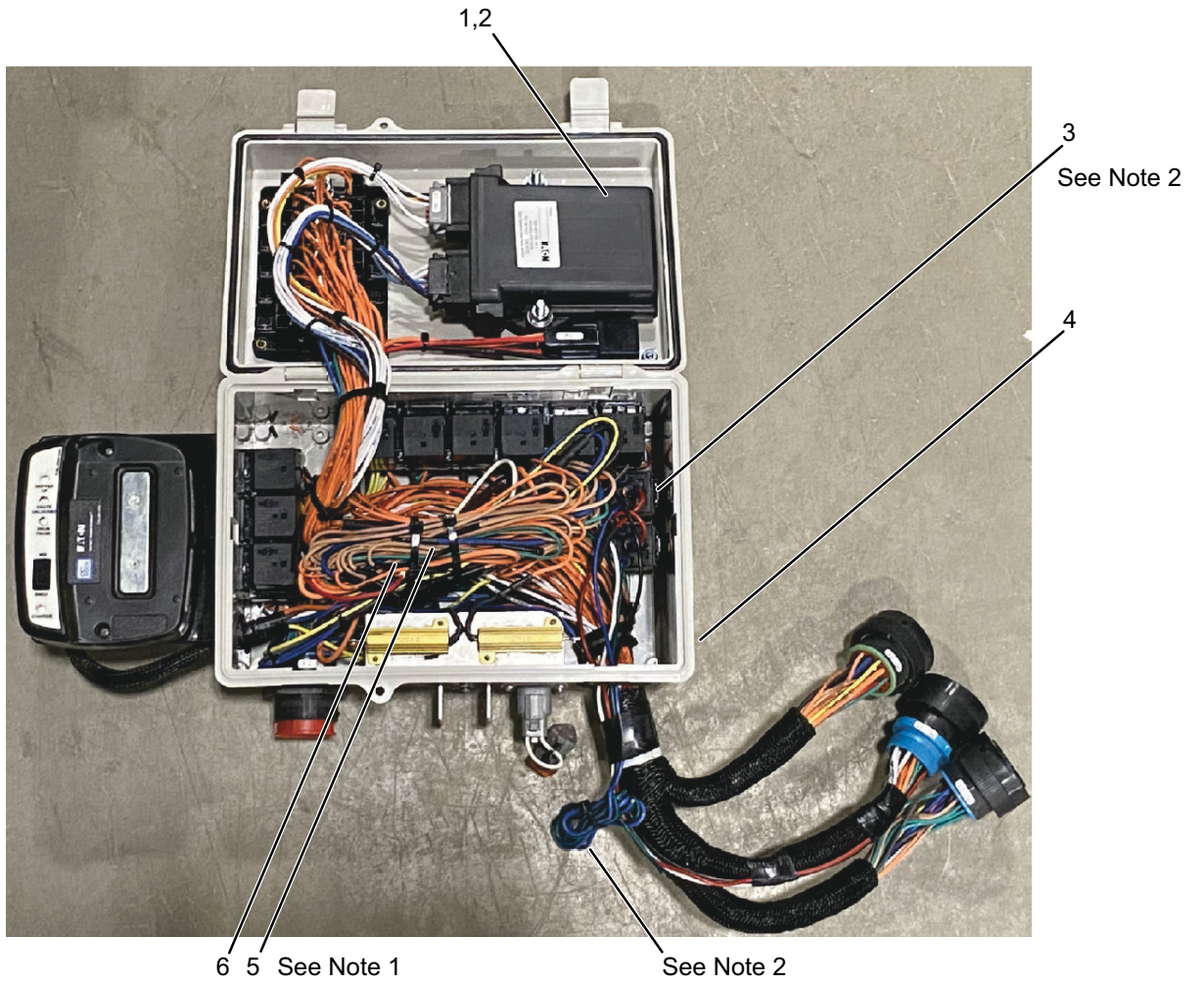


Note: This illustration is shown for steel variant only.
Gasket (P/N MC-38163-09) is not shown in illustration.



ZF SPEEDREDUCER PK - 7500

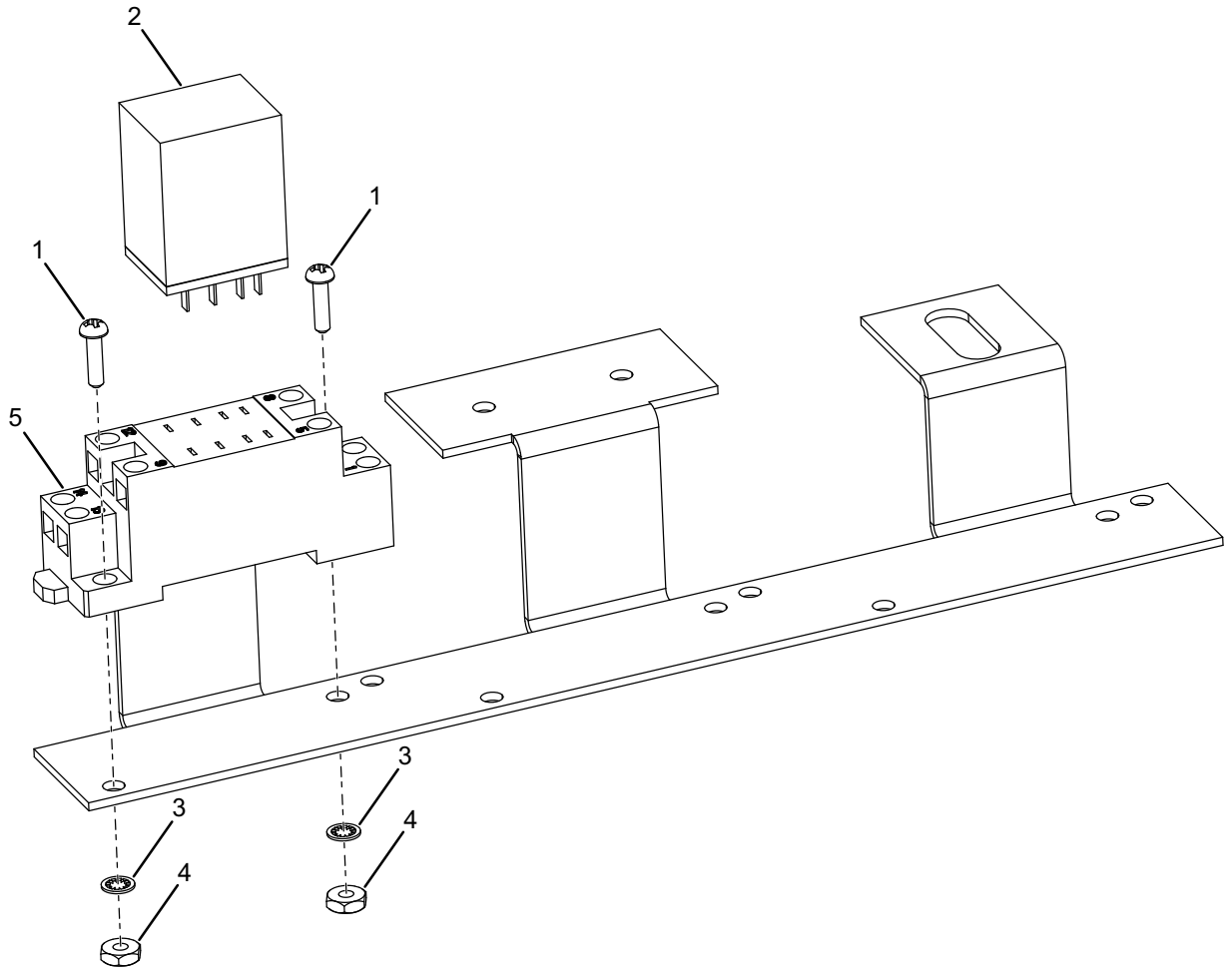
ITEM	PART #	PART DESCRIPTION	UOM	QTY
1	HH-00909-031	12MM X 1.75 X 40 HHCS GR 8.8	EA	4
2	HH-00457-001	LOCK WASHER 1/2"	EA	4
3	MA-32029	HARDENED WASHER GEARBOX MOUNTI	EA	6
4	HH-01277-190	7/8 UNC 12PT.FLG.HD. X 3.1/4" LG GR.8	EA	6
5	MB-40243	GEAR REDUCER, ZF, PK 7500	EA	1
6	1470296	SCR, HEX, .62 - 11X2, LOCTITE, ASSY	EA	18
7	100565	WASH, FLT .62X1.31X.12 ZY HDN (STEEL DRUM)	EA	18
7	100565	WASH, FLT .62X1.31X.12 ZY HDN (COMPOSITE DRUM)	EA	36
8	1543230	O-RING	EA	AR



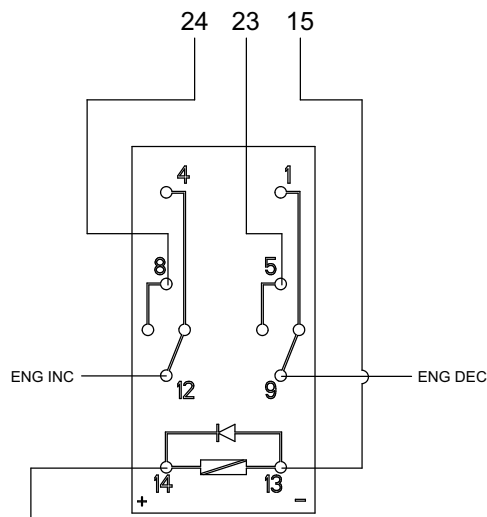


CTRL BOX & PENDANT, MXR 09

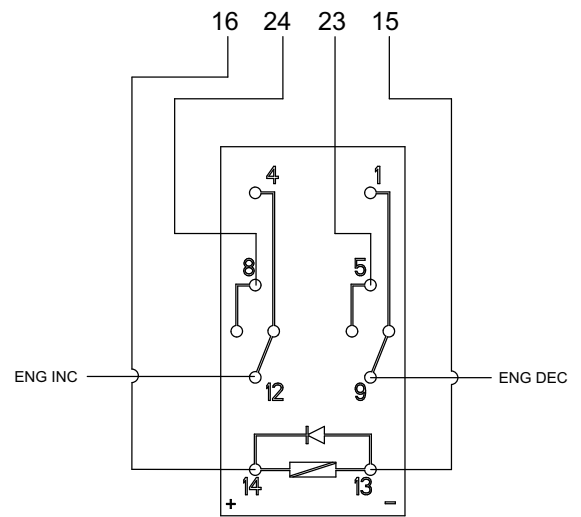
ITEM	PART #	PART DESCRIPTION	UOM	QTY
1	1473764	CONTROLLER, EP DRUM, HED CL - 442	EA	1
2	1473928	HARNESS, CTRL REPLACE EXT, MX	EA	1
3	1534927	RELAY, MINI ISO, SPDT, 12V	EA	2
4	1395466	CTRL, BOX & PENDANT, MXR 09	EA	1
5	1144281	RELAY, 12V, DIODE SUPPRESSED	EA	1
6	1465525	WIRE HARN, CAB, RADIO	EA	1
7	MA-42101	CRADLE ASSY, RECHARGEABLE, CONTA	EA	1
8	1327482	BRKT, CHARGER BASE, OMNEX	EA	1
		* SEE PRINT 1465525 FOR OMNEX HARNESS INSTALLATION. 1144281 RELAY CONNECTS TO 1465525 HARNESS.		
		*SEE PRINT 1661678 FOR 1534927 THROTTLE RELAY INSTALLATION AND FOR RUNNING EXTRA BLUE AND GREEN WIRES INTO RADIO RECEIVER.		
		*STANDARD PENDANT OPTION (NO REMOTE) INCLUDES ONLY ITEM 4 - 1395466 CONTROL BOX AND ITEM 1 & 2 - 1473764 & 1473928 MODULE AND HARNESS.		



From 1517303 Harness
to 29 pin body builder plug



From 1517303 Harness
to 29 pin body builder plug

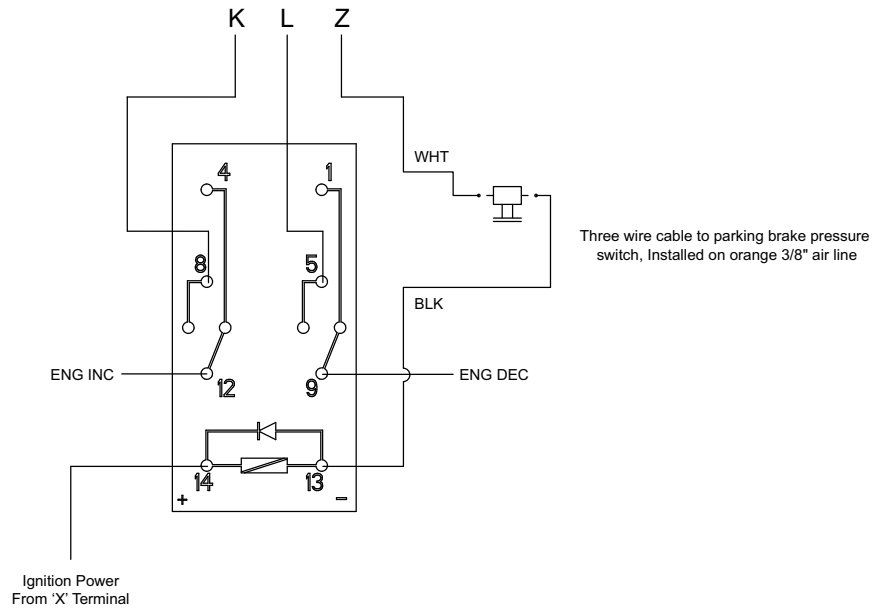
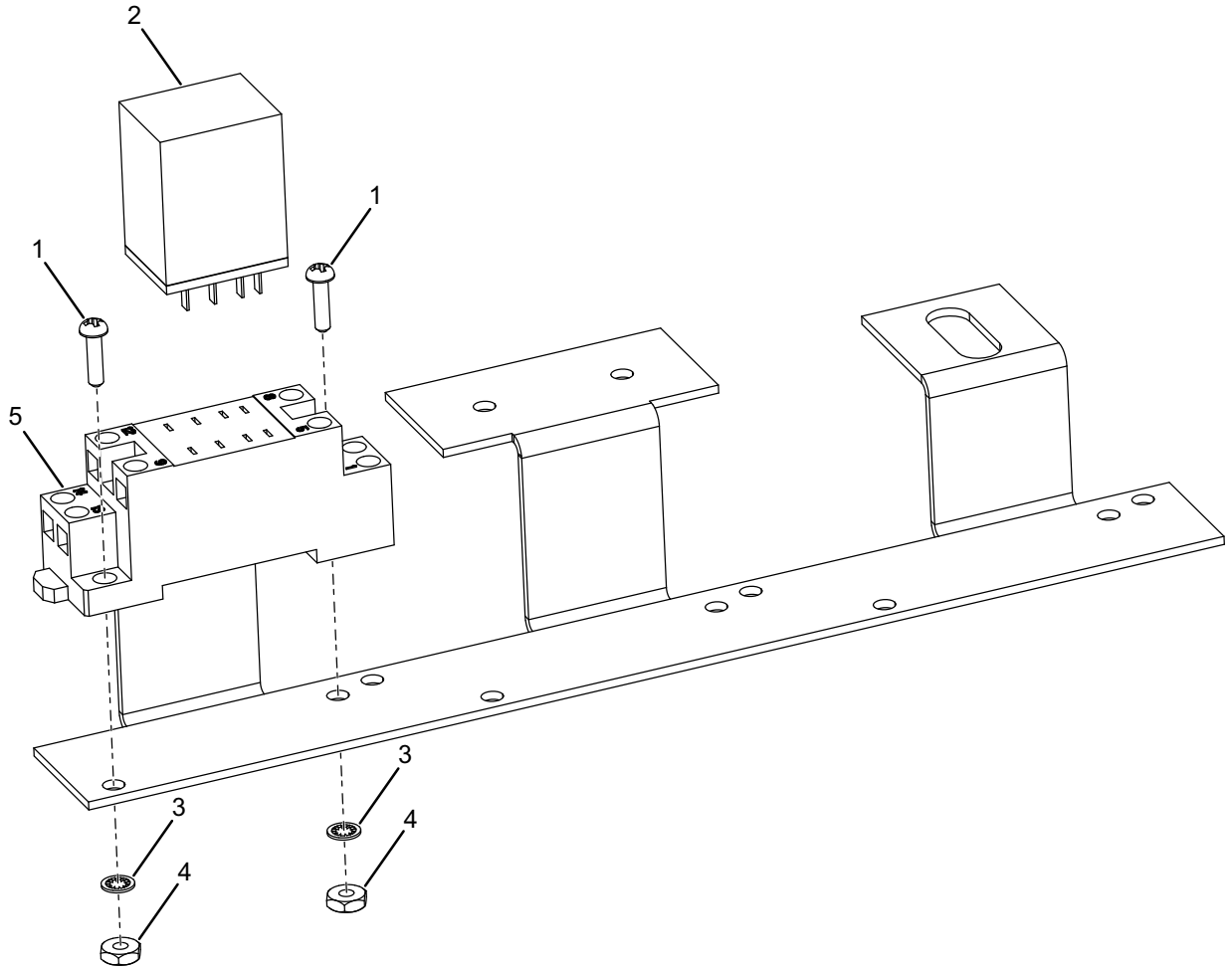


Ignition Power
From 'X' Terminal



CRUISE RELAY ASSY OPTIONS

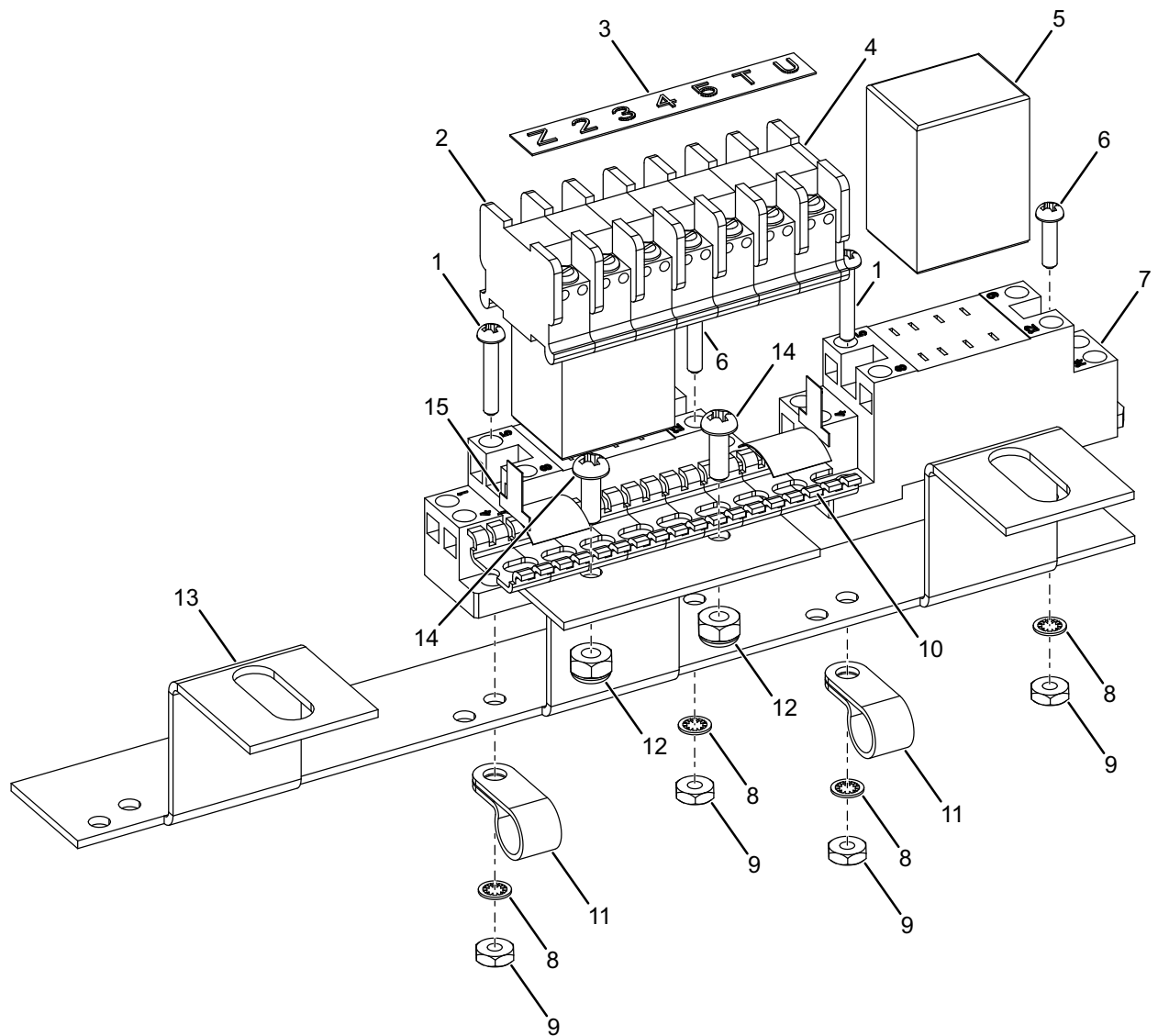
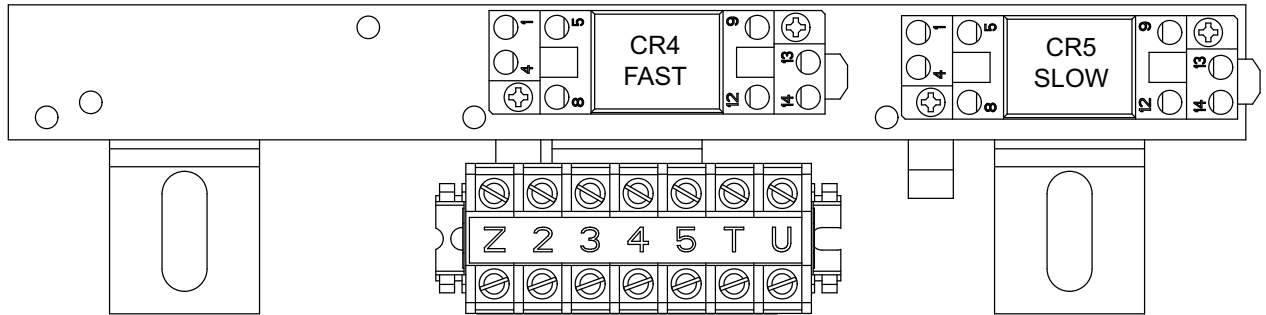
ITEM	PART #	PART DESCRIPTION	UOM	QTY
1	HH-00365-041	SCR, PAN, SLT, FP #5 - 40 x .50 G5 ZC	EA	2
2	MA-40945	POWER RELAY	EA	1
3	HH-00463-002	WASH, LK, IN #5 x .28 x .02 ZC	EA	2
4	HH-00322-006	NUT, HEX, #5 - 40 ZC	EA	2
5	MA-37686	SOCKET, POWER, RELAY, LMI	EA	1





CRUISE RELAY ASSY OPTIONS

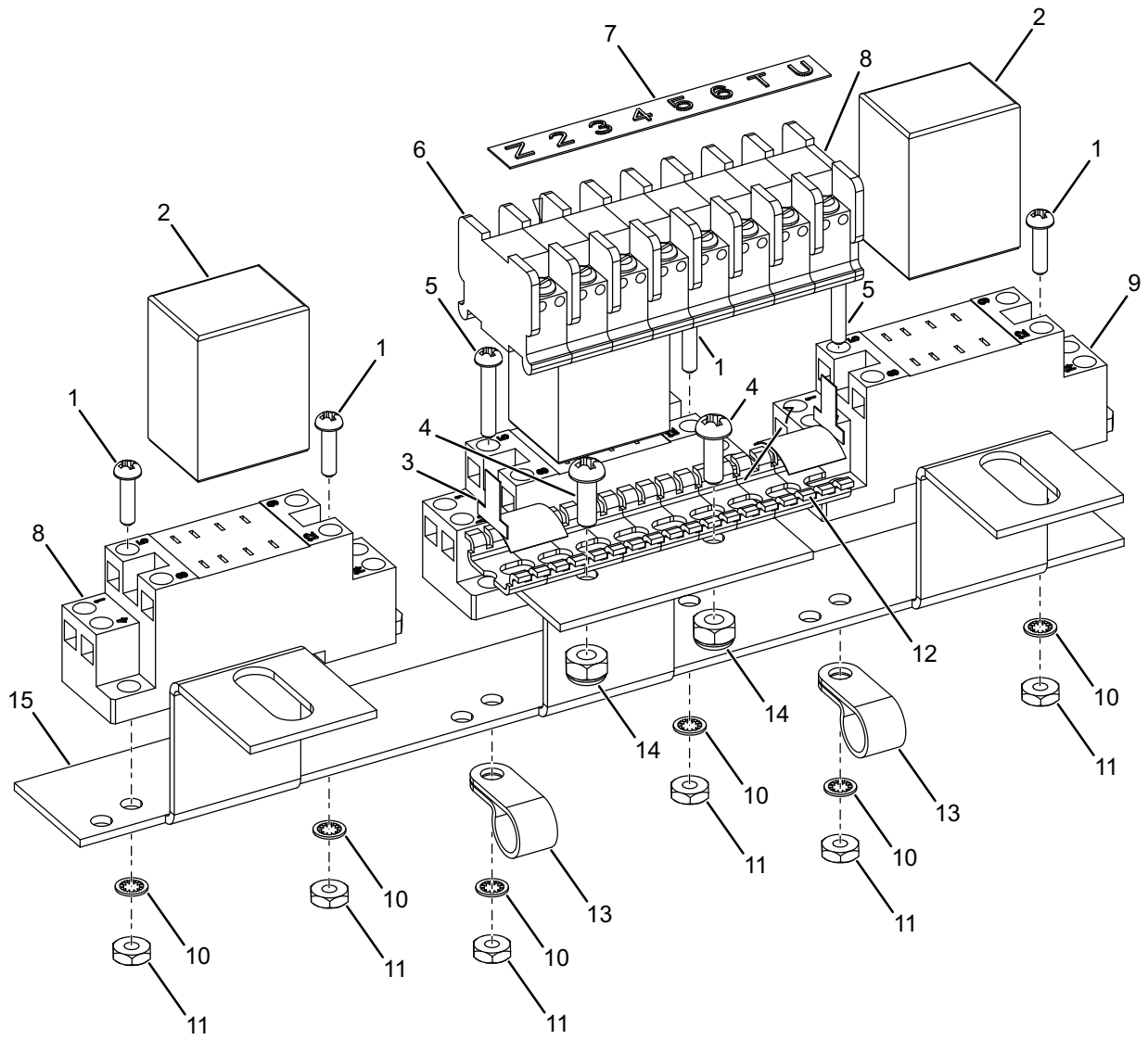
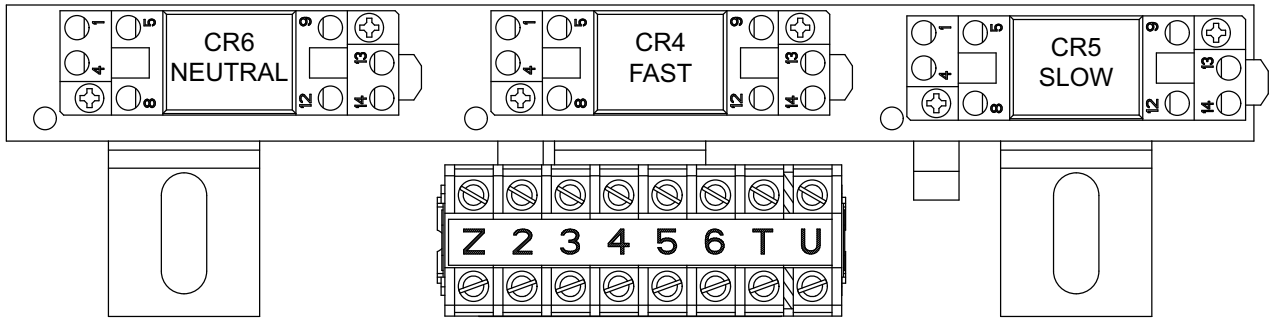
ITEM	PART #	PART DESCRIPTION	UOM	QTY
1	HH-00365-041	SCR, PAN, SLT, FP #5 - 40 x .50 G5 ZC	EA	2
2	MA-40945	POWER RELAY	EA	1
3	HH-00463-002	WASH, LK, IN #5 x .28 x .02 ZC	EA	2
4	HH-00322-006	NUT, HEX, #5 - 40 ZC	EA	2
5	MA-37686	SOCKET, POWER, RELAY, LMI	EA	1





CRUISE RELAY ASSY OPTIONS

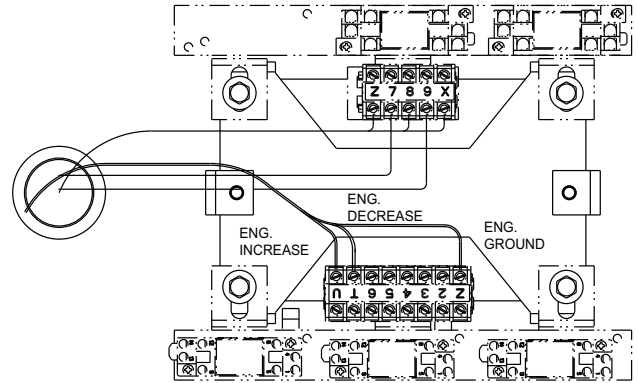
ITEM	PART #	PART DESCRIPTION	UOM	QTY
1	HH-00365-043	#5 - UNC x 3/4 PH.RD.HD.MC/ MC SCR.	EA	2
2	HH-01182-001	TERMINAL BLOCK - #1492 - F8	EA	7
3	MA-41537	DECAL - TERM.I.D - TH.MAN.TRAN.	EA	1
4	HH-01182-018	END BARRIER - #1492 - 18N	EA	1
5	MA-40945	POWER RELAY, #MY2N - D2 - DC12	EA	2
6	HH-00365-041	#5 - UNC x 1/2 PH.RD.HD.MC/ M.C SCR.	EA	2
7	MA-37686	RELAY SOCKET, #PYF08 - E	EA	2
8	HH-00463-002	#5 INTR. LOCK WASHER	EA	4
9	HH-00322-006	#5 UNC HEX NUT GR.5	EA	4
10	MA-42082	MOUNTING RAIL - 3.3/8" CUT	EA	1
11	HH-00817-002	3/8 PLASTIC CLIP	EA	2
12	HH-00340-019	#8 UNC NYLOC NUT	EA	2
13	MB-42070	RELAY BRACKET	EA	1
14	HH-00365-073	#8 - UNC x 1/2 PH.RD.HD.MC/ M.C SCR.	EA	2
15	HH-01182-020	RETAINING CLIP - #1492 - N2	EA	2
16	HH-00836-001	RED WIRE, 16 GA.	EA	A/R
17	HH-00836-002	WHITE WIRE, 16 GA.	EA	A/R
18	HH-00836-004	GREEN WIRE, 16 GA.	EA	A/R
19	HH-00836-005	BLACK WIRE, 16 GA.	EA	A/R
20	HH-00836-007	BROWN WIRE, 16 GA.	EA	A/R



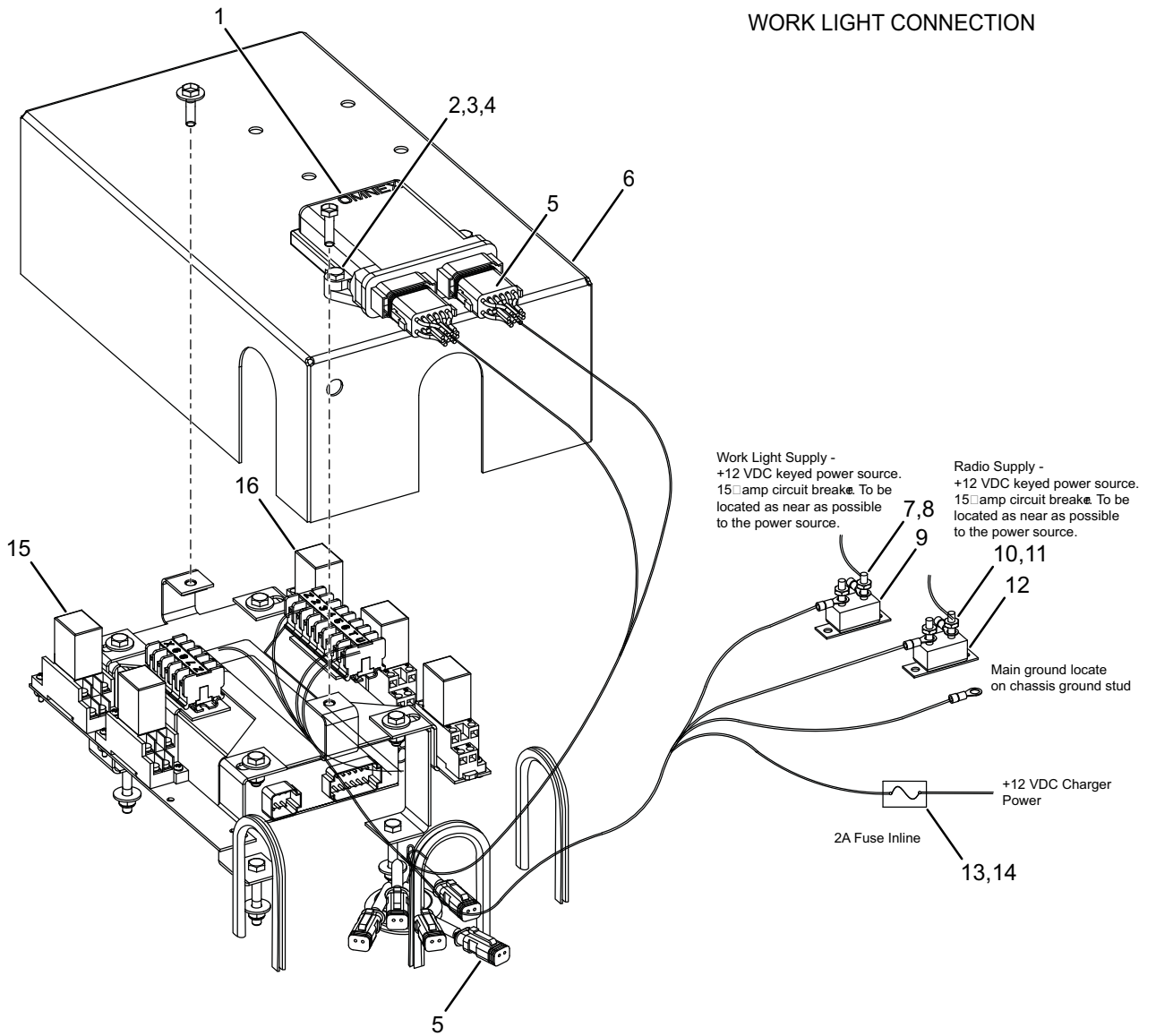


CRUISE RELAY ASSY OPTIONS

ITEM	PART #	PART DESCRIPTION	UOM	QTY
1	HH-00365-041	#5 - UNC x 1/2 PH.RD.HD.M/C SCR.	EA	4
2	MA-40945	POWER RELAY, #MY2N - D2 - DC12	EA	3
3	HH-01182-020	RETAINING CLIP - #1492 - N2	EA	2
4	HH-00365-073	#8 - UNC x 1/2 PH.RD.HD.M/C SCR.	EA	2
5	HH-00365-043	#5 - UNC x 3/4 PH.RD.HD.M/C SCR.	EA	2
6	HH-01182-001	TERMINAL BLOCK - #1492 - F8	EA	8
7	MA-42079	DECAL - TERMINAL I.D. - THROTTLE	EA	1
8	HH-01182-018	END BARRIER - #1492 - 18N	EA	1
9	MA-37686	RELAY SOCKET, #PYF08 - E	EA	3
10	HH-00463-002	#5 INTR. LOCK WASHER	EA	6
11	HH-00322-006	#5 UNC HEX NUT GR.5	EA	6
12	MA-42082	MOUNTING RAIL - 3.3/8" CUT	EA	1
13	HH-00817-002	3/8 PLASTIC CLIP	EA	2
14	HH-00340-019	#8 UNC NYLOC NUT	EA	2
15	MB-42070	RELAY BRACKET	EA	1
16	HH-00836-001	RED WIRE, 16 GA.	EA	A/R
17	HH-00836-002	WHITE WIRE, 16 GA.	EA	A/R
18	HH-00836-004	GREEN WIRE, 16 GA.	EA	A/R
19	HH-00836-005	BLACK WIRE, 16 GA.	EA	A/R
20	HH-00836-007	BROWN WIRE, 16 GA.	EA	A/R



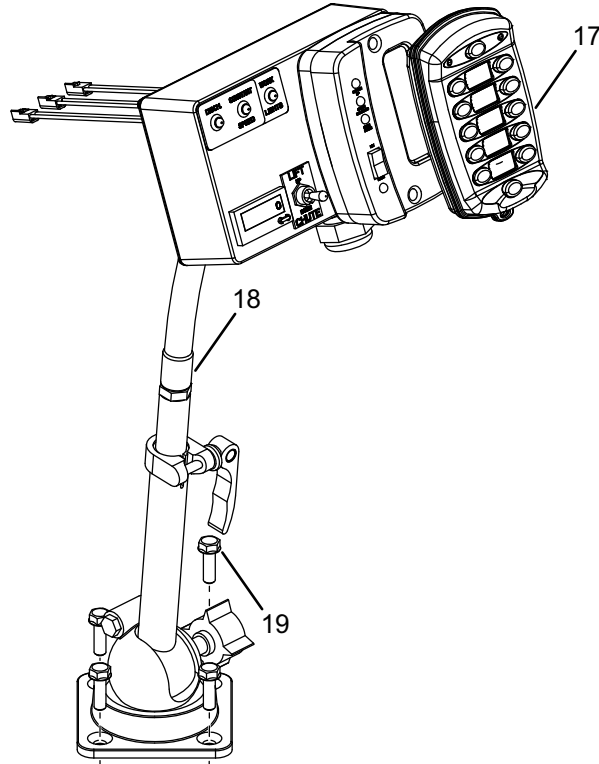
WORK LIGHT CONNECTION



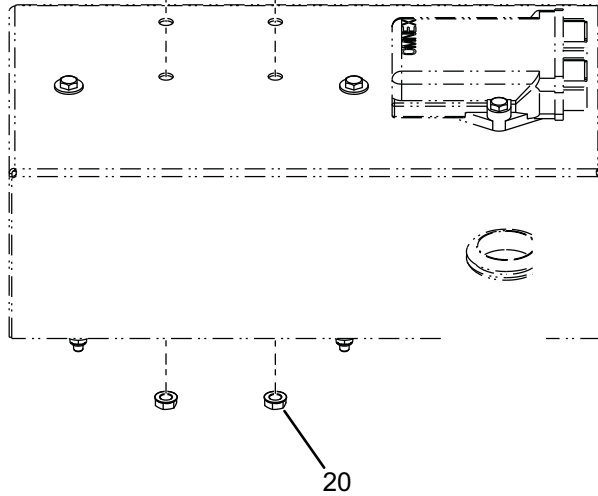
RADIO REMOTE INSTL. - 10 BUTTON



Cradle stand to be located on the radio/mod. cover.
In a location that is easily reached by the driver.



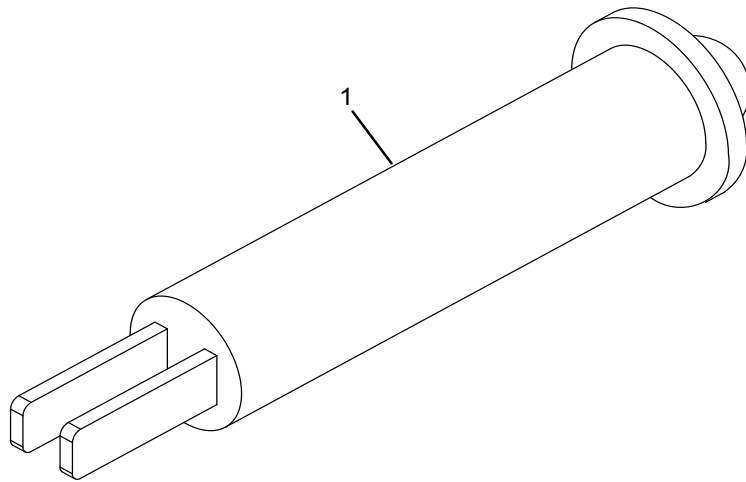
Drill 11/32 clearance holes for 5/16 bolts.
Use stand as template.





RADIO REMOTE INSTL. - 10 BUTTON

ITEM	PART #	PART DESCRIPTION	UOM	QTY
1	MA-42100	RADIO RECEIVER, R160 OMNEX	EA	1
2	HH-00293-006	1/4 UNC X 1" BOLT (GRADE 5)	EA	2
3	HH-00340-016	1/4 UNC NYL. NUT (GRADE 5)	EA	2
4	HH-00341-002	1/4 FLAT WASHER	EA	2
5	MB-42064	RADIO HARDNESS, 10 BOTTON	EA	1
6	MB-42081	RADIO BRKT. INSTL. - 10 BUTTON	EA	1
7	HH-00805-002	EYELET, 10 GA. WIRE, #10 STUD	EA	REF.
8	HH-01079-006	RED WIRE, 10 GA.	EA	REF.
9	1476991	CIRCUIT BREAKER, 15 AMP	EA	REF.
10	HH-00804-003	EYELET, 14 GA. WIRE, #10 STUD	EA	2
11	HH-00519-001	RED WIRE, 14 GA.	EA	A/R
12	HH-01145-003	CIRCUIT BREAKER, 10 AMP	EA	1
13	HH-00724-000	FUSE HOLDER, TYPE 3AG	EA	1
14	HH-00721-004	2 AMP FUSE, TYPE 3AG	EA	1
15	1528629	WORK LIGHT RELAY ASSY OPTIONS	EA	REF.
15A	MB-42080	WORK LIGHT RELAY ASS'Y	EA	REF.
15B	1493633	RELAY ASSY, HWP, WL	EA	REF.
15C	1512551	RELAY ASSY, HDIR, WL	EA	REF.
15D	1523480	RELAY ASSY, HWP, HDIR, WL	EA	REF.
15E	MB-42094	WORK LIGHT RELAY ASS'Y, W/REV	EA	REF.
15F	1521539	RELAY ASSY, HWP, WL W/REV	EA	REF.
15G	1512552	RELAY ASSY, HDIR, WL W/REV	EA	REF.
15H	1523481	RELAY ASSY, HWP, HDIR, WL W/REV	EA	REF.
15J	1493637	RELAY ASSY, HWP, NO WL	EA	REF.
15K	1521491	RELAY ASSY, HDIR, NO WRK LTS	EA	REF.
15L	1523482	RELAY ASSY, HDIR, NO WL	EA	REF.
16	1563688	CRUISE RELAY ASSY OPTIONS	EA	REF.
17	MB-42065	RADIO TRANSMITTER, T110, OMNEX	EA	1
18	MB-42698	CRADLE STAND ASS'Y.	EA	1
19	HH-01187-025	5/16 - 18 UNC FLG. HD. SCREW. x 1" LG	EA	4
20	HH-01188-004	5/16 - 18 UNC FLG. NUT	EA	4

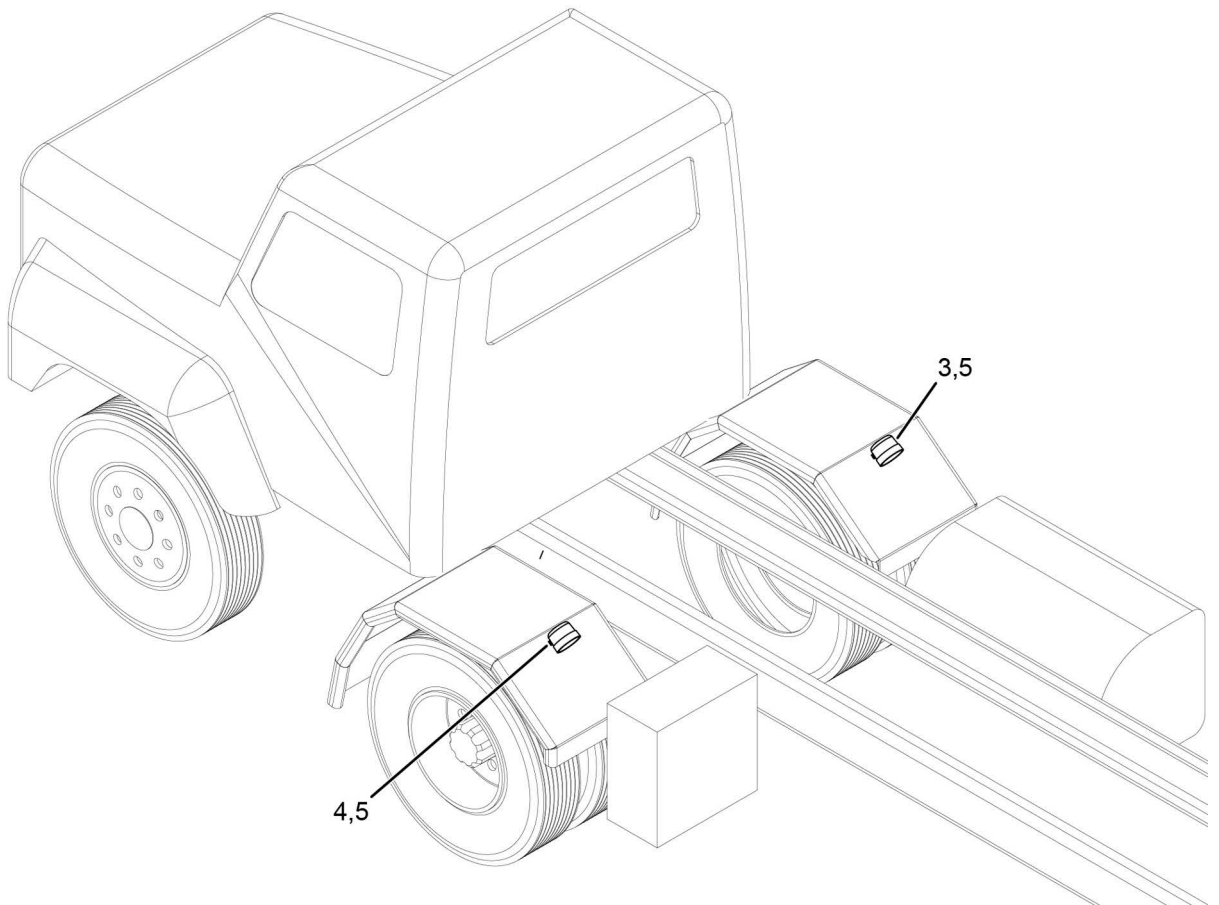
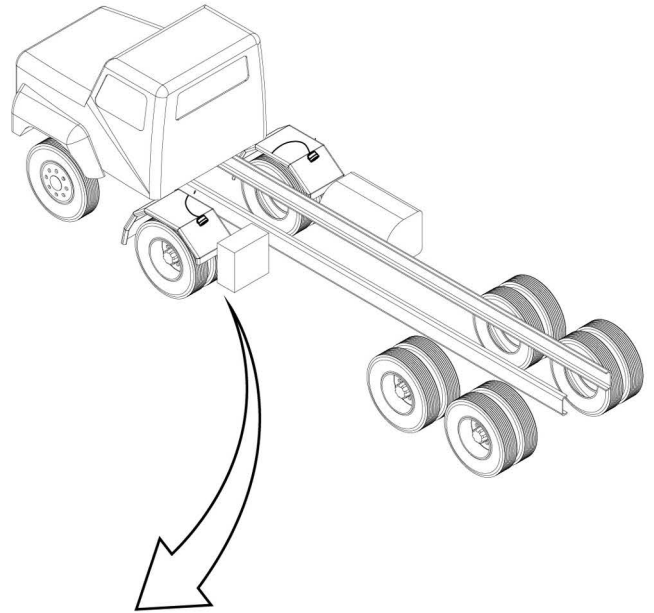
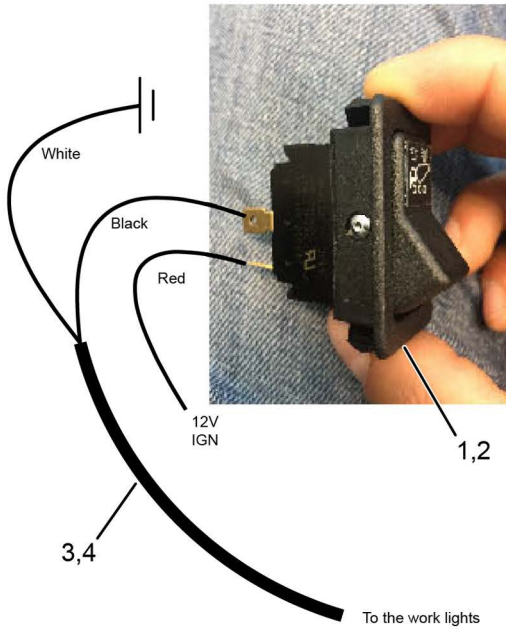




LIGHT, RED, SUPER BRIGHT

ITEM	PART #	PART DESCRIPTION	UOM	QTY
1	1568033	LIGHT, RED, SUPER BRIGHT	EA	1

WORKLIGHT, 2ND STR FNDR





WORKLIGHT, 2ND STR FNDR

ITEM	PART #	PART DESCRIPTION	UOM	QTY
1	1548723	SWITCH, ROCKER, MACK	EA	1
2	1611366	DECAL, SWITCH, WORK LIGHT	EA	1
3	MA-41102-01	DOUBLE RECEPTACLE HARNESS, - 156" LG.	EA	2
4	MA-41102-02	DOUBLE RECEPTACLE HARNESS, - 48" LG.	EA	2
5	MA-41433	WORKLIGHTS, FLOOD	EA	2
5	1548516	LIGHT, WORK, CLR, 12,RND 5.00, LED	EA	2
5	1499299	LIGHT, WORK, RND, 4.75, CLR, LED	EA	2

(519) 963-2500
parts@lmi.ca
www.lmi.ca

