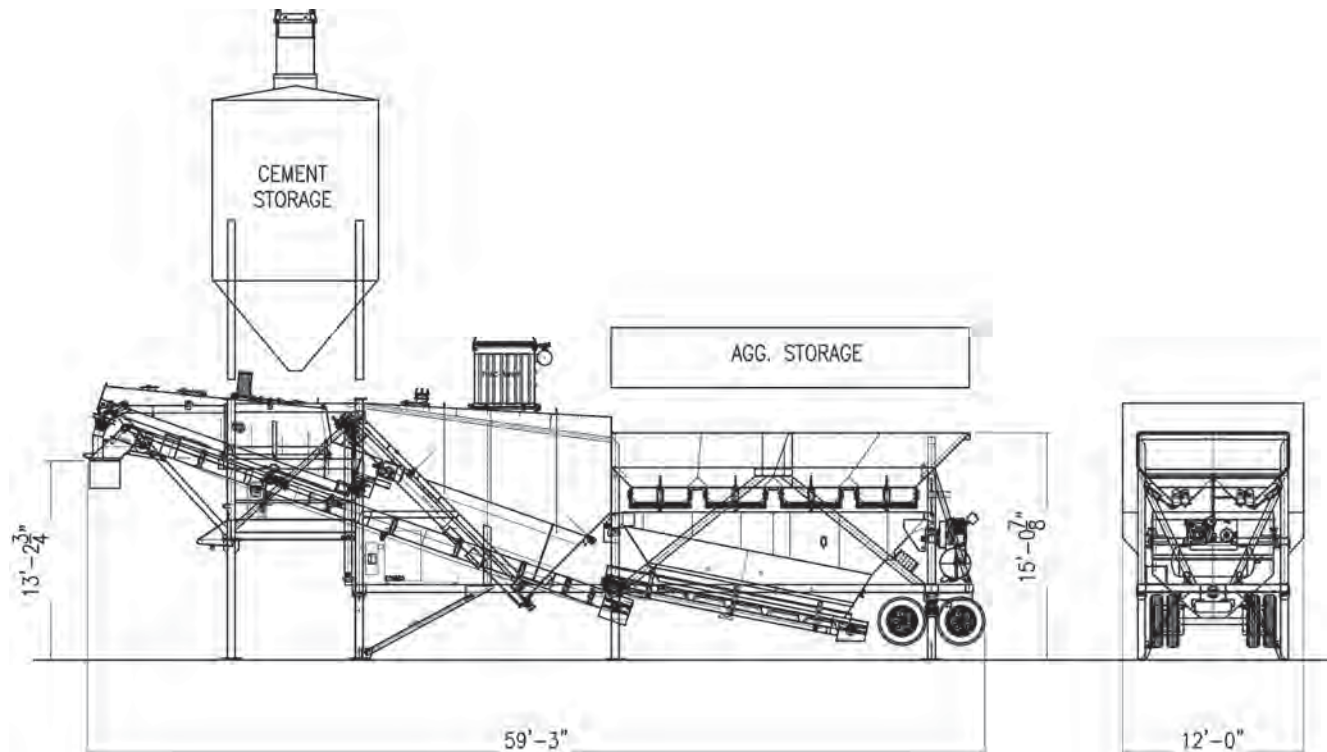


LO-PRO® Model 327



SPECIFICATIONS

PRODUCTION CAPACITY:

Theoretical Cycle Time – 2.5 to 3 minutes

BATCHER CAPACITY:

Aggregate – 1 to 12 cubic yards (1 to 9.2 cubic meters)

Cement – 1 to 12 cubic yards (1 to 9.2 cubic meters)

Scales – Direct load cells

AGGREGATE BATCHER CONVEYOR:

30" wide (762 mm), 10 horsepower drive. Optional 15 horsepower drive.

AGGREGATE DISCHARGE CONVEYOR:

30" wide (762 mm), 35° trough with 10 horsepower drive. Optional 36" (914 mm), 15 horsepower

CEMENT BATCHER BLENDING SCREW:

14" diameter (360 mm), 15 horsepower. Optional 18" diameter (460 mm), 20 or 25 horsepower.

CEMENT FEEDER SCREWS:

Two 9" diameter (230 mm), 15 horsepower drive. Optional 12" diameter (300 mm), 20 horsepower drive.

CEMENT AERATION:

5 horsepower, high volume, low pressure blowers.

HIGH PRESSURE AIR COMPRESSOR:

10 horsepower, 120 gallon (0.45 cubic meters). Optional 15 or 20 horsepower, 120 gallon (0.45 cubic meters).

ELECTRICAL:

460 volt, 3-phase with 120 VAC transformer for control voltage. All motors are TEFC. All motor circuit wiring protected by individual circuit breakers. Electrical components housed in NEMA steel enclosures. Wiring in conduit.

BATCH CONTROL SYSTEM:

Semi-automatic cut-off of cement by presets on digital readouts. Push-button for electric over air on gates. Optional fully automatic computerized batch control system.

WATER METER:

3" diameter (77 mm) with up to 500 gallons (1,740 liters) per minute.

TRANSPORTATION SYSTEM:

Rear-mounted tandem axle with eight (8) 295/75R 22.5 tires, wheels, air brakes, heavy duty spring suspension, tail and brake lights, and fifth wheel rub plate with king pin.

STORAGE BIN CAPACITIES:

AGGREGATE	HEAPED VOLUME	43 to 83 cubic yards 33 to 63 cubic meters
	CEMENT I	GROSS VOLUME 1,308 cubic feet 37 cubic meters
CEMENT II	GROSS VOLUME	1,600 to 2,260 cubic feet 45 to 64 cubic meters

DIMENSIONS:

Towing length.....	52'5" (15,977 mm)
Towing height.....	14'4" (4,369 mm)
Towing width.....	12'0" (3,658 mm)
Empty weight, total.....	44,000 lbs. (19,958 kg)

SHIPPING DIMENSIONS:

Length	61'0" (18,593 mm)
Height	14'4" (4,369 mm)
Width	12'0" (3,658 mm)
Shipping volume.....	10,490 cubic feet (297 cubic meters)